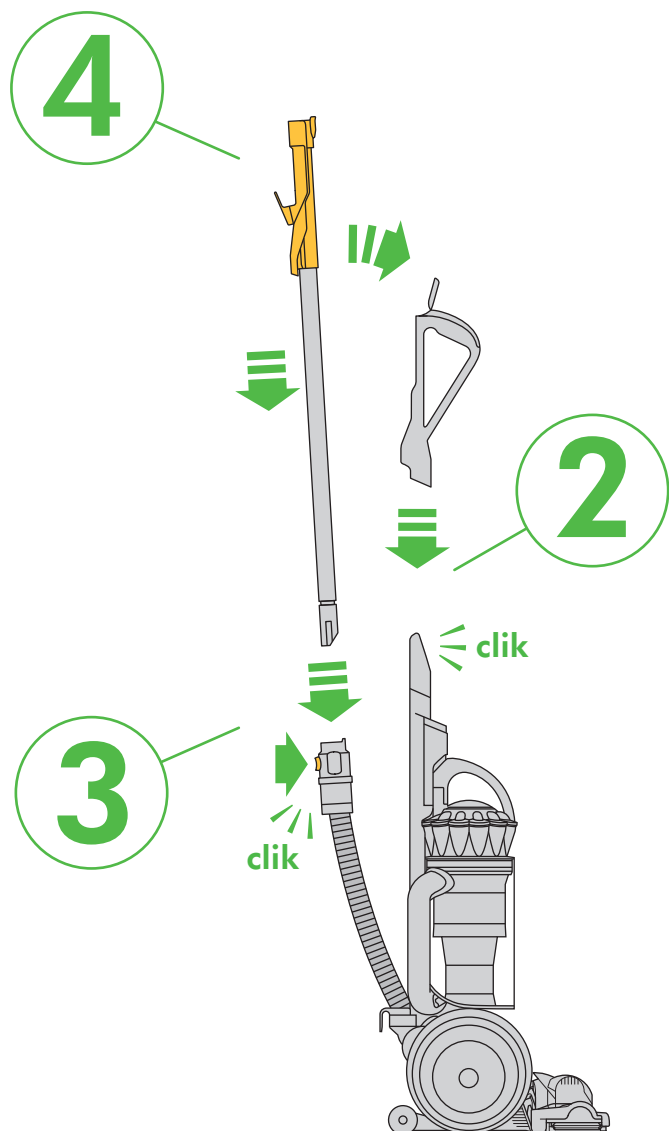
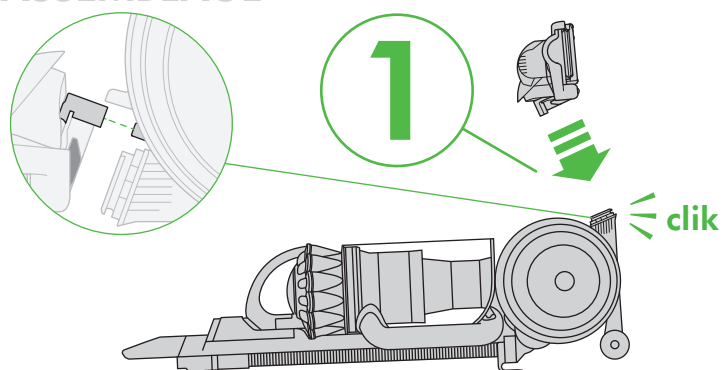


dyson ball

OPERATING MANUAL GUIDE D'UTILISATION

ASSEMBLY ASSEMBLAGE



WASH FILTERS

Wash filters with cold water at least once every month.

LAVER LES FILTRES

Laver les filtres à l'eau froide au moins une fois par mois.



REGISTER TODAY

3 easy ways to register your 5 year limited warranty.

ENREGISTREMENT

3 façons faciles de vous enregistrer pour bénéficier d'une garantie limitée de 5 ans.



IMPORTANT SAFETY INSTRUCTIONS

BEFORE USING THIS APPLIANCE READ ALL INSTRUCTIONS AND CAUTIONARY MARKINGS IN THIS MANUAL AND ON THE APPLIANCE

When using an electrical appliance, basic precautions should always be followed, including the following:

WARNING

These warnings apply to the appliance, and also where applicable, to all tools, accessories, chargers or mains adaptors.

TO REDUCE THE RISK OF FIRE, ELECTRIC SHOCK, OR INJURY:

1. This Dyson appliance is not intended for use by young children or infirm persons with reduced physical, sensory or reasoning capabilities, or lack of experience and knowledge, unless they have been given supervision or instruction by a responsible person concerning use of the appliance to ensure that they can use it safely.
2. Do not allow to be used as a toy. Close attention is necessary when used by or near children. Children should be supervised to ensure that they do not play with the appliance.
3. Use only as described in this Dyson Operating Manual. Do not carry out any maintenance other than that shown in this manual, or advised by the Dyson Helpline.
4. Suitable for dry locations ONLY. Do not use outdoors or on wet surfaces.
5. Do not handle any part of the plug or appliance with wet hands.
6. Do not use with a damaged cord or plug. If the supply cord is damaged it must be replaced by Dyson, its service agent or similarly qualified persons in order to avoid a hazard.
7. If the appliance is not working as it should, has received a sharp blow, has been dropped, damaged, left outdoors, or dropped into water, do not use and contact the Dyson Helpline.
8. Contact the Dyson Helpline when service or repair is required. Do not disassemble the appliance as incorrect reassembly may result in an electric shock or fire.
9. Do not stretch the cable or place the cable under strain. Keep the cable away from heated surfaces. Do not close a door on the cable, or pull the cable around sharp edges or corners. Arrange the cable away from traffic areas and where it will not be stepped on or tripped over. Do not run over the cable.
10. Do not unplug by pulling on the cord. To unplug, grasp the plug, not the cord. The use of an extension cord is not recommended.
11. Do not use to pick up water.
12. Do not use to pick up flammable or combustible liquids, such as gasoline, or use in areas where they or their vapours may be present.
13. Do not pick up anything that is burning or smoking, such as cigarettes, matches, or hot ashes.
14. Keep hair, loose clothing, fingers, and all parts of the body away from openings and moving parts. Do not point the hose, wand or tools at your eyes or ears or put them in your mouth.
15. Do not put any object into openings. Do not use with any opening blocked; keep free of dust, lint, hair, and anything that may reduce airflow.
16. Use only Dyson recommended accessories and replacement parts.
17. To avoid a tripping hazard wind the cord when not in use.
18. Do not use without the clear bin and filters in place.
19. Do not leave the appliance when plugged in. Unplug when not in use and before servicing.
20. Do not pull or carry by cable or use cable as a handle.
21. Use extra care when cleaning on stairs. Do not work with the appliance above you on the stairs.
22. Turn off all controls before unplugging. Unplug before connecting any tool or accessory.

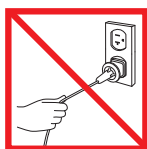
23. FIRE WARNING – Do not apply any fragrance or scented product to the filter(s) of this appliance. The chemicals in such products are known to be flammable and can cause the appliance to catch fire.

READ AND SAVE THESE INSTRUCTIONS

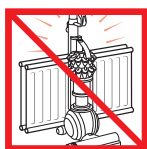
THIS DYSON APPLIANCE IS INTENDED FOR HOUSEHOLD USE ONLY

POLARIZATION INSTRUCTIONS

To reduce the risk of electric shock, this appliance has a polarized plug (one blade is wider than the other). This plug will fit in a polarized outlet only one way. If the plug does not fit fully in the outlet, reverse the plug. If it still does not fit, contact a qualified electrician to install the proper outlet. Do not attempt to defeat this safety feature and do not change the plug in any way.



Do not pull on the cable.



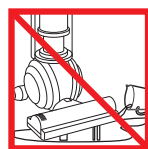
Do not store near heat sources.



Do not use near open flames.



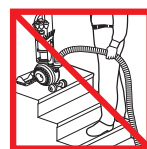
Do not run over the cable.



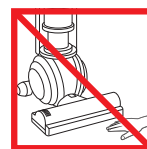
Do not pick up water or liquids.



Do not pick up burning objects.



Do not use above you on the stairs.



Do not put hands near the brush bar when the appliance is in use.

CONSIGNES DE SÉCURITÉ IMPORTANTES

AVANT D'UTILISER CET APPAREIL, VOUS ÊTES TENU DE LIRE TOUTES LES INSTRUCTIONS ET MISES EN GARDE CONTENUES DANS LE PRÉSENT GUIDE ET INDIQUÉES SUR L'APPAREIL

Lorsque vous utilisez un appareil électrique, vous devez toujours suivre les précautions de base suivantes:

AVERTISSEMENT

Ces avertissements s'appliquent à l'aspirateur et à tous les accessoires, ainsi que, s'il y a lieu, à tout chargeur ou adaptateur d'alimentation principal.

AFIN DE RÉDUIRE LES RISQUES D'INCENDIE, DE DÉCHARGE ÉLECTRIQUE OU DE BLESSURE:

1. Cet appareil Dyson ne doit pas être utilisé par de jeunes enfants ni des personnes dont les capacités physiques, sensorielles ou de raisonnement sont réduites, ou qui manquent d'expérience ou de connaissances, à moins qu'une personne responsable ne les supervise ou leur indique comment utiliser l'appareil de façon sécuritaire.
2. Cet appareil n'est pas un jouet. Faire très attention lorsqu'on l'utilise près d'enfants ou si ceux-ci s'en servent. Il faut veiller à ce que les enfants ne jouent pas avec l'appareil.
3. Utiliser cet appareil seulement de la façon décrite dans le présent guide. Ne pas effectuer de travaux d'entretien autres que ceux indiqués dans ce guide ou recommandés par le service d'assistance téléphonique de Dyson.
4. Convient aux surfaces sèches SEULEMENT. Ne pas utiliser à l'extérieur ou sur des surfaces mouillées.
5. Ne pas toucher la prise ou l'appareil avec des mains mouillées.
6. Ne pas utiliser si la fiche ou le câble est endommagé. Si le câble est endommagé, il doit être remplacé par Dyson ou un agent qualifié afin d'éviter des risques d'accident.
7. Si l'appareil fonctionne mal, s'il a reçu un coup violent, s'il a été échappé, endommagé, laissé à l'extérieur ou plongé dans l'eau, ne pas l'utiliser et communiquer avec le service d'assistance téléphonique de Dyson.
8. Pour toute réparation ou procédure d'entretien, communiquer avec la ligne d'assistance Dyson. Ne pas démonter l'appareil. S'il est réassemblé de manière inappropriée, cela peut causer un incendie ou des décharges électriques.
9. Ne pas étirer le cordon et ne pas exercer de tension sur celui-ci. Garder le cordon à distance des surfaces soumises à la chaleur. Ne pas tirer le cordon en le faisant passer sur des surfaces ou rebords coupants et ne pas le coincer dans une porte. Garder le cordon à distance des aires de circulation et le faire passer à un endroit où il ne risque pas de causer de chutes. Ne pas écraser le cordon en passant dessus.
10. Ne pas débrancher l'appareil en tirant sur le cordon. Pour le débrancher, saisir la fiche et non le cordon. Nous déconseillons l'utilisation d'une rallonge électrique.
11. Ne pas aspirer d'eau.
12. Ne pas utiliser pour aspirer des liquides inflammables ou combustibles, comme de l'essence, ni dans des zones où il peut y avoir de tels liquides ou émanations de leurs vapeurs.
13. Ne pas aspirer d'objets qui brûlent ou qui fument, comme des cigarettes, des allumettes ou des cendres incandescentes.
14. Éloigner les cheveux, les vêtements amples, les doigts et toute partie du corps des ouvertures et des pièces mobiles. Ne pas pointer le tuyau souple, le tube-rallonge ou les accessoires vers les yeux ou oreilles et ne pas les mettre dans la bouche.
15. Ne placer aucun objet dans les ouvertures. Ne pas utiliser si une ouverture est obstruée; enlever la poussière, les peluches, les cheveux et tout ce qui pourrait réduire la circulation de l'air.
16. Utiliser seulement les accessoires et les pièces de rechange recommandés par Dyson.
17. Lorsqu'il n'est plus utilisé, enrouler le cordon afin de prévenir les chutes.

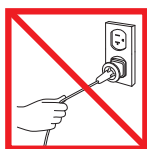
18. Ne pas utiliser sans le collecteur transparent et le filtre.
19. Ne pas laisser l'appareil sans surveillance lorsqu'il est branché. Le débrancher s'il n'est pas utilisé ou avant d'effectuer des réparations.
20. Ne pas tirer l'appareil ni le transporter par le cordon, ne pas utiliser ce dernier comme une poignée.
21. Redoubler de prudence dans les escaliers. Lorsque vous passez l'aspirateur dans les escaliers, il ne doit pas se trouver sur une marche plus haute que vous.
22. Fermer toutes les commandes avant de débrancher l'appareil. Le débrancher avant d'y fixer un accessoire.
23. RISQUE D'INCENDIE – Ne pas mettre de parfum ou de produit parfumé sur les filtres de l'appareil. Les produits chimiques contenus dans ce type de produits sont reconnus pour être inflammables et peuvent amener l'appareil à prendre feu.

LIRE ET CONSERVER CES INSTRUCTIONS

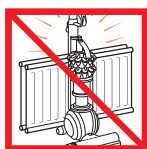
CET APPAREIL DYSON EST CONÇU POUR UN USAGE DOMESTIQUE SEULEMENT

INSTRUCTIONS DE POLARISATION

Afin de réduire les risques de décharge électrique, cet appareil a été muni d'une fiche polarisée (une broche est plus large que l'autre). Cette fiche peut être branchée à une prise polarisée d'une seule façon. Si elle n'entre pas entièrement dans la prise, l'inverser. Si cela ne fonctionne toujours pas, communiquer avec un électricien qualifié afin de faire installer une prise appropriée. Ne pas tenter de déjouer ce dispositif de sécurité et ne jamais modifier la fiche.



Ne pas tirer sur le cordon.



Ne pas ranger à proximité de sources de chaleur.



Ne pas utiliser près de flammes nues.



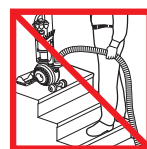
Ne pas écraser le cordon en passant dessus.



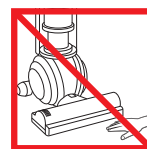
Ne pas aspirer d'eau ou de liquides.



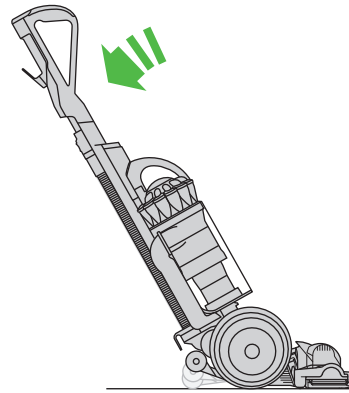
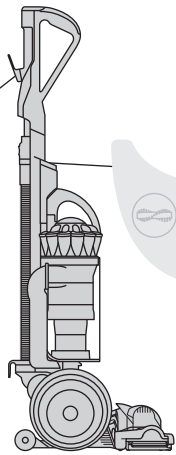
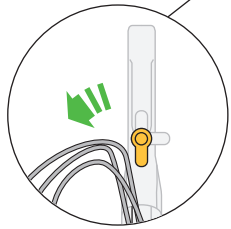
Ne pas aspirer des objets qui brûlent.



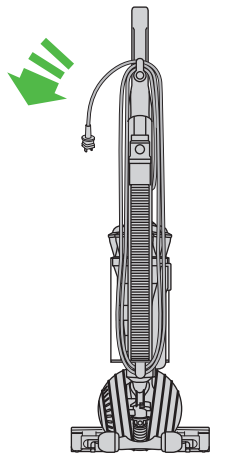
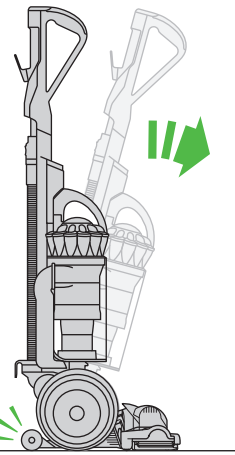
Ne pas laisser l'aspirateur sur une marche d'escalier située plus haut que vous.



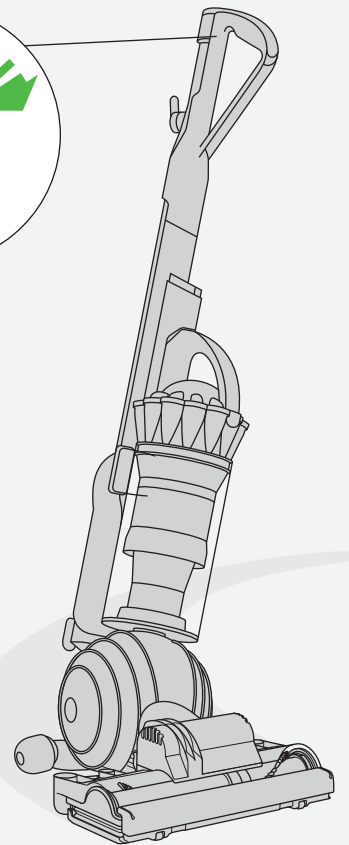
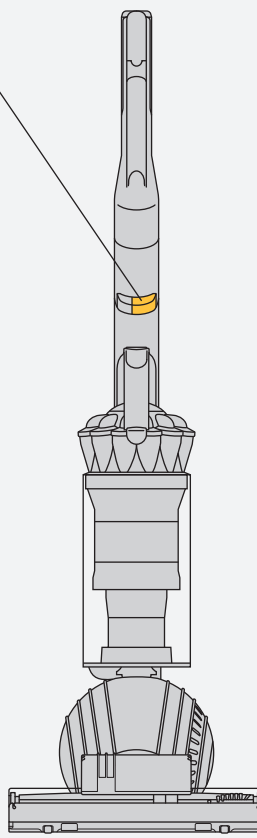
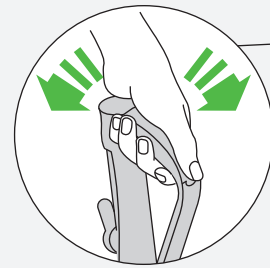
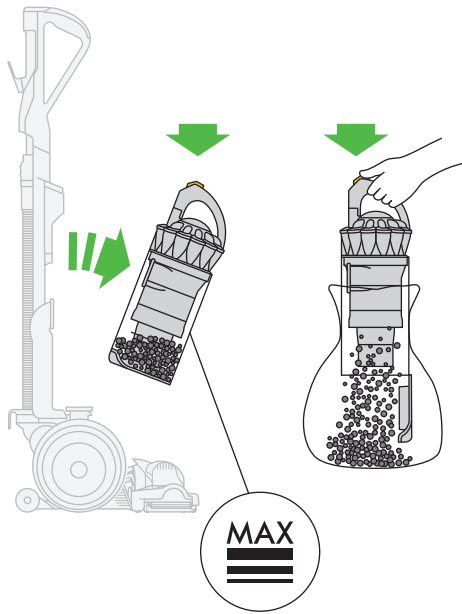
Ne pas mettre vos mains près de la brosse lorsque l'appareil est en marche.



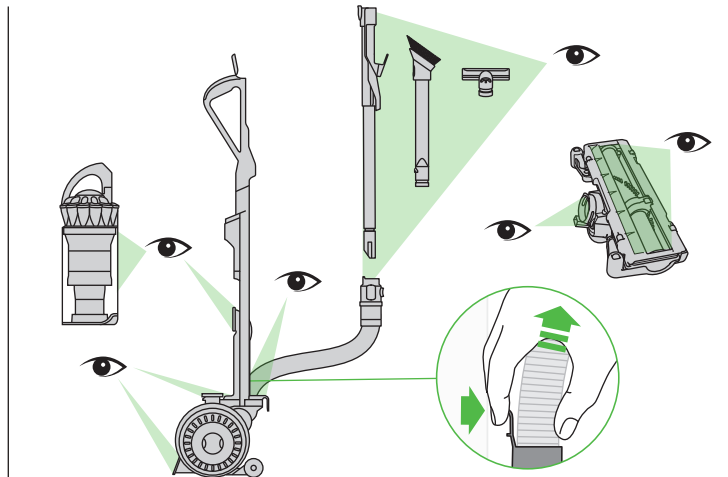
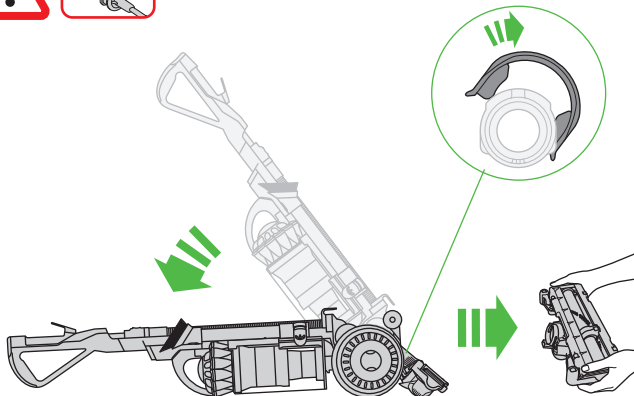
clik



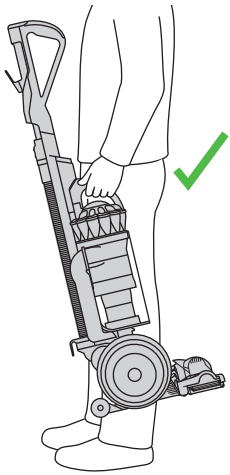
Emptying the clear bin
Vidage du collecteur transparent



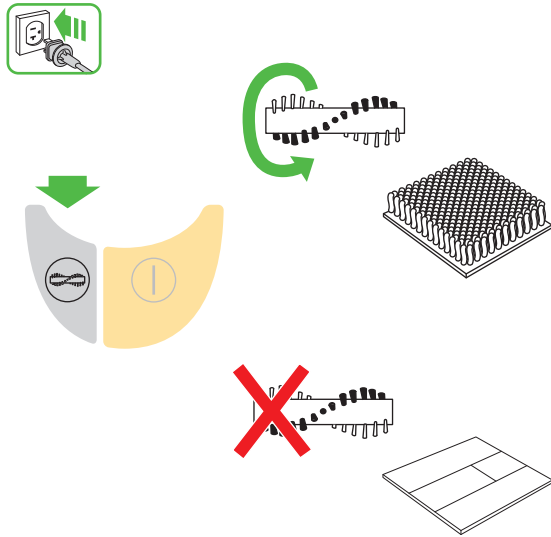
Looking for blockages
Vérification de la présence d'obstructions



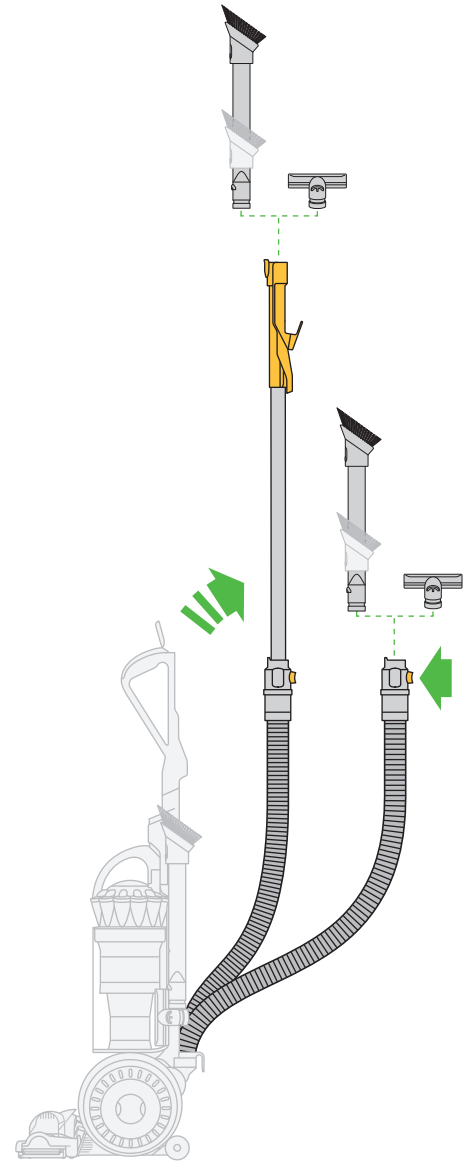
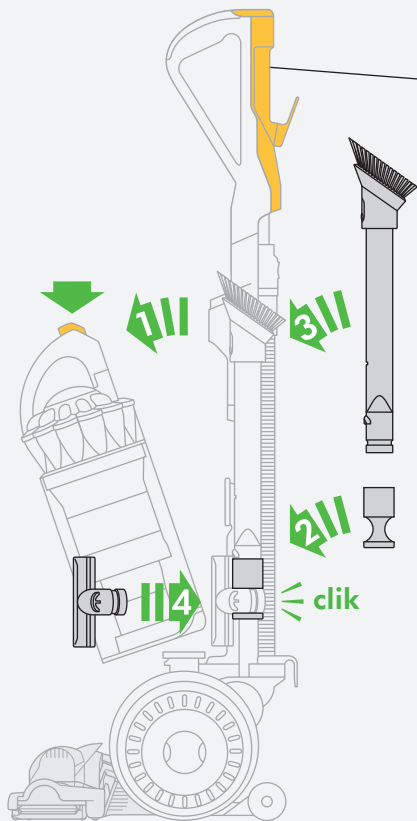
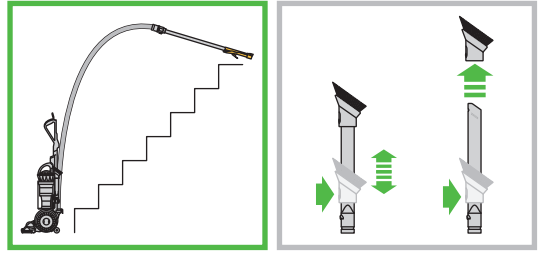
Carrying the appliance
Comment transporter l'aspirateur



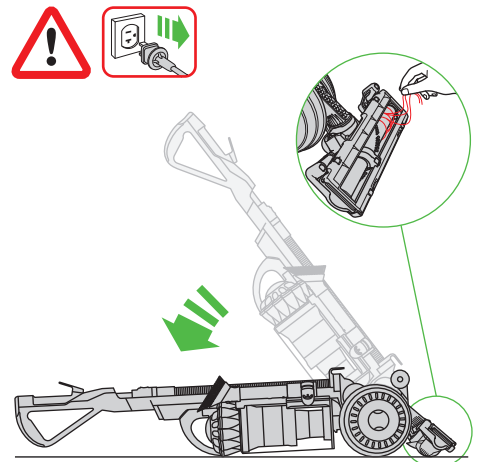
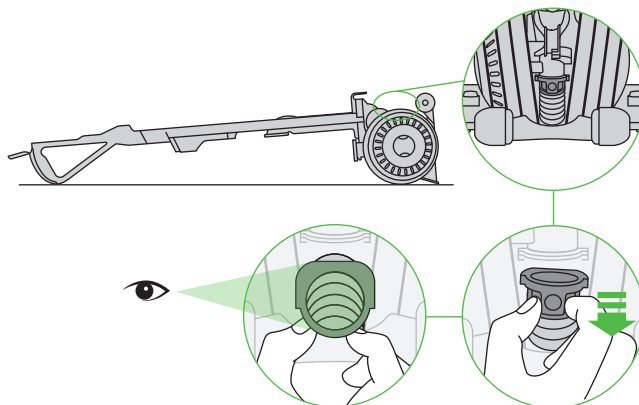
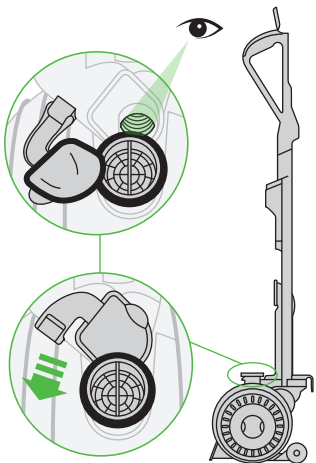
Carpets or hard floors
Tapis ou planchers durs



Tool attachments
Accessoires à fixer

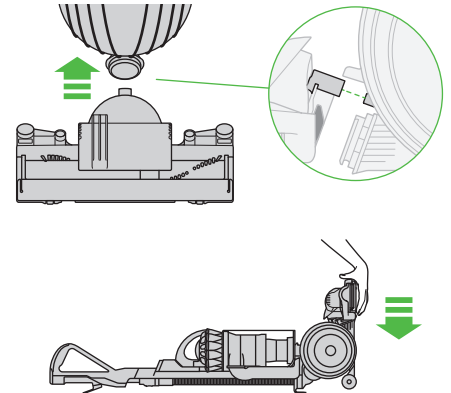
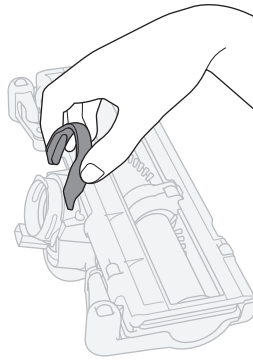
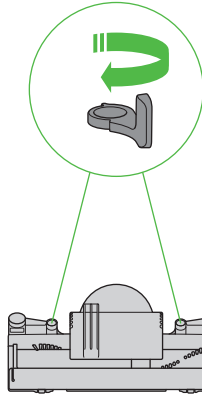
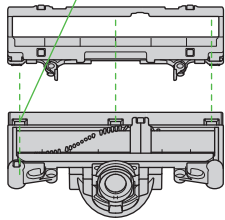
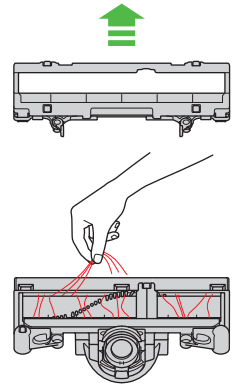
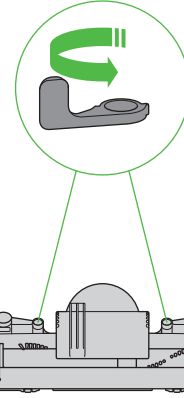
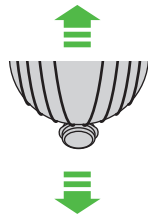
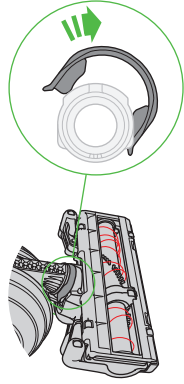
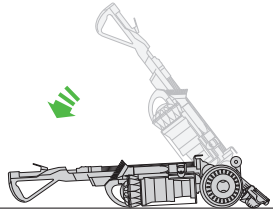


Brush bar – clearing obstructions
Brosse – Élimination des obstructions



Base plate disassembly
Démonter la plaque de base

Base plate reassembly
Remonter la plaque de base



IMPORTANT!

WASH FILTERS

Wash filters with cold water at least once every month.

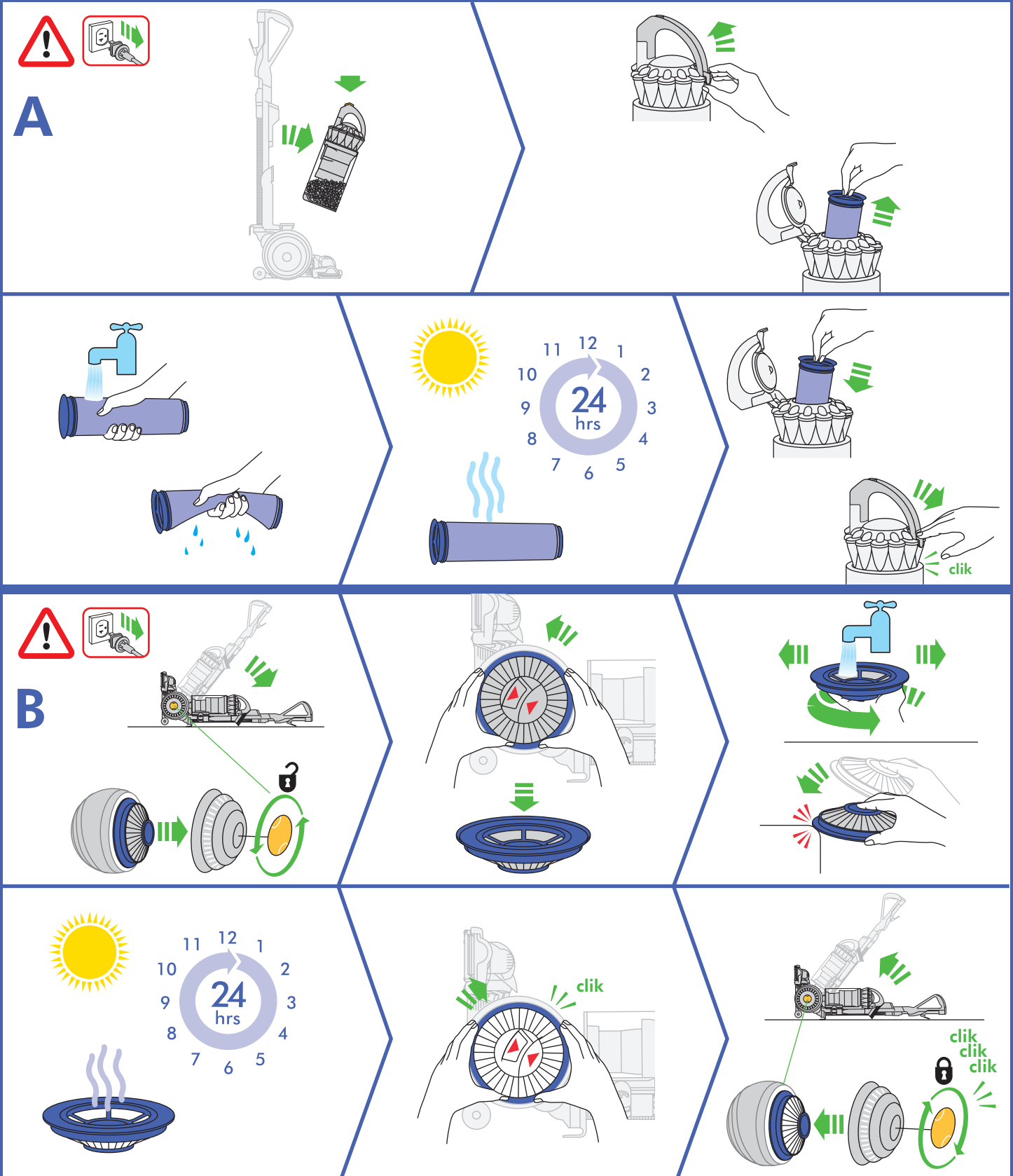
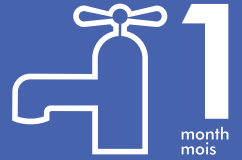
The filters may require more frequent washing if vacuuming fine dust.

IMPORTANT!

LAVER LES FILTRES

Laver les filtres à l'eau froide au moins une fois par mois.

Les filtres doivent être nettoyés plus souvent si l'appareil est utilisé pour aspirer de fines poussières.



USING YOUR DYSON APPLIANCE

PLEASE READ THE 'IMPORTANT SAFETY INSTRUCTIONS' IN THIS DYSON OPERATING MANUAL BEFORE PROCEEDING.

ASSEMBLY

- Lay the appliance on its back.
- Attach the cleaner head by sliding it on to the connections on the lower front part of the ball. Ensure the electrical plug on the cleaner head fits into the twin - block connection on the body of the appliance, which is directly above the airway. Push firmly: the cleaner head will click into place.
- Stand the appliance up straight.
- Attach the wand handle by sliding it on to the top of the appliance. The spring clip in the handle will click into place.
- Ensure the hose is straight. Press the yellow button on the hose. Slide the wand into the hose.
- Ensure the wand and hose sit in the recess of the handle. Slide the end of the wand down into the handle to secure it.
- Slide the tool holder onto the side of the duct as shown.
- Attach the tools as shown. In use, the tools can be attached to either the hose or the wand.
- Wind the cable around the cable hooks. Secure with the clip.

OPERATION

- Unwind the cable.
- Plug the appliance into the mains electricity supply.
- To switch 'ON' or 'OFF' press the yellow power button, located as shown.
- To use, recline the handle. The stabiliser stand will automatically lift up.
- After use, return the appliance to the upright position, pushing it firmly into place. The stabiliser wheels will automatically lower.
- Then unplug the appliance, coil the cable safely and put the appliance away.
- Switch 'OFF' the appliance, unplug and ensure it is upright before:
 - changing or using tools
 - removing the hose or airway inspection parts.
- Use the cyclone carry handle to carry the machine.

ATTACHMENTS

- To release the wand, open the wand cap and pull the yellow tube up and away from the handle until it clicks into place.
- Should you wish to use the hose without the wand, follow the above instruction and press the yellow button to release the wand from the hose.

CARPETS OR HARD FLOORS

- The brush bar will always default to 'ON' (spinning) each time you switch the appliance 'ON' and recline it for cleaning.
- The brush bar will not rotate when the appliance is upright.
- To switch the brush bar 'OFF' (e.g. for delicate rugs and delicate flooring):
 - switch the appliance 'ON'
 - recline the appliance
 - press the brush bar 'ON/OFF' button – the brush bar will stop spinning.
- The brush bar will automatically stop if it becomes obstructed. See 'Brush bar – clearing obstructions'.
- Before vacuuming your flooring, rugs and carpets, check the manufacturer's recommended cleaning instructions.
- Some carpets may fuzz if a rotating brush bar is used when vacuuming. If this happens, we recommend vacuuming with the brush bar switched 'OFF' and consulting with the flooring manufacturer.
- The brush bar on the appliance may damage some carpet types. If you are unsure, turn 'OFF' the brush bar.
- Check the brush bar regularly and clear away any debris (such as hair). Debris left on the brush bar may cause damage to flooring when vacuuming.

LOOKING AFTER YOUR DYSON APPLIANCE

- Do not carry out any maintenance or repair work other than that shown in this Dyson Operating Manual, or advised by the Dyson Helpline.
- Only use parts recommended by Dyson. If you do not this could invalidate your warranty.
- Store the appliance indoors. Do not use or store it below 3°C (37.4°F). Ensure the appliance is at room temperature before operating.
- Clean the appliance only with a dry cloth. Do not use any lubricants, cleaning agents, polishes or air fresheners on any part of the appliance.
- If used in a garage, always wipe the base plate and ball with a dry cloth after vacuuming to clean off any sand, dirt, or pebbles that could damage delicate floors.

VACUUMING

- Do not use without the clear bin and filters in place.
- Fine dirt such as flour should only be vacuumed in very small amounts.
- Do not use the appliance to pick up sharp hard objects, small toys, pins, paper clips, etc. They may damage the appliance.
- When vacuuming, certain carpets may generate small static charges in the clear bin or wand. These are harmless and are not associated with the mains electricity supply. To minimize any effect from this (small static charge), do not put your hand or insert any object into the clear bin unless you have first emptied it and cleaned it with a damp cloth (see 'Cleaning the clear bin').
- Do not work with the appliance above you on the stairs. When cleaning stairs it is recommended that you use a tool on the end of the hose rather than the wand.
- Do not put the appliance on chairs, tables, etc.
- Before vacuuming highly polished floors, such as wood or linoleum, first check that the underside of the floor tool and its brushes are free from foreign objects that could cause marking.
- Do not leave the cleaner head in one place on delicate floors.

EMPTYING THE CLEAR BIN

- Empty as soon as the dirt reaches the level of the MAX mark – do not overfill.
- Switch 'OFF' and unplug before emptying the clear bin.
- To remove the cyclone and clear bin unit, press down on the yellow button on the top of the carrying handle on the cyclone.
- To release the dirt, press all the way down on the same yellow button on the top of the carrying handle on the cyclone.
- To minimize dust/allergen contact when emptying, encase the clear bin tightly in a plastic bag and empty.
- Remove the clear bin carefully from the bag.
- Seal the bag tightly, dispose as normal.
- To refit:
 - ensure the airway in the bin base is clear of dust and dirt
 - close the clear bin base so it clicks into place
 - push the cyclone and clear bin unit into the main body of the appliance; it will click into place
 - ensure the cyclone and clear bin unit is secure.

CLEANING THE CLEAR BIN

- To remove the cyclone unit from the clear bin press the yellow bin release button. This exposes a small silver button behind the opening mechanism. Press the silver button and separate the cyclone unit from the clear bin.
- Do not use detergents, polishes or air fresheners to clean the clear bin.
 - Do not put the clear bin in a dishwasher.
 - Do not immerse the whole cyclone in water or pour water into the cyclones.
 - Clean the cyclone shroud with a damp cloth only.
 - Ensure the clear bin is completely dry before replacing.

WASHING YOUR FILTERS

- Your appliance has two washable filters, located as shown.
- Check and wash the filters regularly according to instructions to maintain performance.
- Switch 'OFF' and unplug before checking or removing the filters. The filters may require more frequent washing if vacuuming fine dust.
- Wash with cold water only. Do not use detergents.
- Do not put the filters in a dishwasher, washing machine, tumble dryer, oven, microwave or near a naked flame.

FILTER A

- Remove cyclone and clear bin (see 'Emptying the clear bin').
- Release the catch on the front of the cyclone handle and then remove the filter.
- Wash the filter with cold water only. Hold under a tap and run water through the open end until the water runs clear. Turn upside down and tap out.
- Run water over the outside of the filter until the water runs clear.
- Squeeze and twist with both hands to make sure the excess water is removed.
- Stand the filter on its wide, open end to dry. Leave to dry completely for a minimum of 24 hours.
- Replace the filter into the cyclone. Swing the handle back into place. Ensure the latch clicks to engage and is secure. Fit the cyclone and clear bin unit onto the appliance (instructions above).

FILTER B

- Lie the appliance on its side.
- To remove filter B:
 - turn the yellow central locking dial on the outer cover of the ball anti-clockwise until the cover is released
 - lift off the cover
 - turn the filter one-quarter anti-clockwise to release.
- Wash the filter with cold water only.
- Filter B should be rinsed and tapped out until the water runs clear, then tapped out again to ensure all excess water is removed. (Tap on the plastic rim, not the filter material.) Leave to dry completely for a minimum of 24 hours.
- It is normal for the filter in the ball to turn grey in colour.
- To refit filter B:
 - refit the filter on to the ball
 - secure the filter by turning it clockwise so the arrows align.
- When refitting the outer cover of the ball, keep turning the central locking dial clockwise. When it starts to click it is locked.

BLOCKAGES – THERMAL CUT-OUT

- This appliance is fitted with an automatically resetting thermal cut-out.
- Large items may block the tools or wand inlet. If any part becomes blocked the appliance may overheat and automatically cut-out.
- If this happens, follow the instructions below in 'Looking for blockages'.
- NOTE: Large items may block the tools or wand inlet. If this happens, do not operate the wand release catch. Switch 'OFF' and unplug. Failure to do so could result in personal injury.

LOOKING FOR BLOCKAGES

- Switch 'OFF' and unplug before looking for blockages. Failure to do so could result in personal injury.
- Leave to cool down for 1-2 hours before checking the filters or for blockages.
- Clear any blockage before restarting.
- Look for blockages in the wand, airways and cleaner head.
- To release the hose from the machine, you will need to remove the wand.
- Open the wand release cap.
- Pull the wand up and away from the handle.
- Press the yellow release button in the connecting collar and remove the wand from the hose.
- Remove the clear bin and cyclone unit. Then release the hose from the appliance by pressing the silver tab on the base of the hose – you can see it from the front of the appliance.
- Check for blockages in the hose.
- Beware of sharp objects when checking for blockages.
- To refit the hose, align the guides on the base of the hose with the channels in the neck of the airway. Ensure the silver tab faces the front of the appliance. Push the hose on. It will click into place. To refit the wand follow the instructions in the 'Operation' section.
- To remove the base plate to access an obstruction, see 'Base plate – disassembly/reassembly'.
- To look for blockages in the front airway between the ball and the cleaner head you will need to remove the cleaner head: see 'Base plate – disassembly/reassembly' on how to do this.
- To look for blockages in the rear airway between the ball and the cleaner head you will need to release the hose. Hold and slide the silver cuff out. Check thoroughly for blockages and slot back into place.
- Beware of sharp objects when checking for blockages.
- To look for blockages in the ball, open the clear plastic inlet on the top.
- Refit all parts securely before using.
- Clearing blockages is not covered by your warranty.

BRUSH BAR – CLEARING OBSTRUCTIONS

- If your brush bar is obstructed, it may shut 'OFF'. If this happens, you will need to remove the blockage.
- Switch 'OFF' and unplug before proceeding. Failure to do so could result in personal injury.
- Beware of sharp objects when clearing obstructions.
- If you still cannot clear the obstruction, please follow the instructions below to remove the base plate. This gives more access to the obstruction. Alternatively, contact a Dyson expert on the Dyson Helpline or visit the website. Clearing brush bar obstructions is not covered by your warranty.

BASE PLATE – DISASSEMBLY/REASSEMBLY

- Switch 'OFF' and unplug before proceeding. Failure to do so could result in personal injury.
- Lay the appliance on its front.
- Detach the silver 'C' clip which is on the connection between the cleaner head and the appliance. It is quite firm, but do not pull it off roughly. Use a constant, firm pressure.
- Pull the cleaner head away from the appliance. Use a constant, firm pressure.
- At each end of the cleaner head there are 2 silver levers:
 - swing them out at right angles
 - hinge the base plate open.
- Beware of sharp objects when clearing obstructions.
- To refit the base plate, hinge it closed.
- To secure the base plate push both silver levers back into position so they are flush with the surface of the cleaner head.
- Refit the silver 'C' clip onto the cleaner head. The flatter edge of the clip fits against the cleaner head. It is easier to slide one lug into its slot before the other.
- Lay the appliance on its back.
- Attach the cleaner head by sliding it on to the connections on the lower front part of the ball. Ensure the electrical plug on the cleaner head fits into the twin - block connection on the body of the appliance, which is directly above the airway. Push firmly: the cleaner head will click into place.

DISPOSAL INFORMATION

- Dyson products are made from high grade recyclable materials. Recycle where possible.

ONLINE SUPPORT

- For online help, general tips, videos and useful information about Dyson.
www.dysoncanada.ca/up19supportvideos
www.dysoncanada.ca/support

DYSON CUSTOMER CARE

THANK YOU FOR CHOOSING TO BUY A DYSON APPLIANCE

If you have a question about your Dyson appliance, call the Dyson Helpline with your serial number and details of where and when you bought the appliance.

Most questions can be solved over the phone by one of our Dyson Helpline staff.

If your Dyson appliance needs service, call the Dyson Helpline so we can discuss the available options. If your Dyson appliance is under warranty, and it is a covered repair, it will be repaired at no cost.

PLEASE REGISTER AS A DYSON APPLIANCE OWNER

To help us ensure you receive prompt and efficient service, please register as a Dyson appliance owner. There are three ways to do this:

- Online at www.dysoncanada.ca
- Telephone the Dyson Helpline at 1-877-397-6622.
- Complete the enclosed Warranty Form and mail it to us. This will confirm ownership of your Dyson appliance in the event of an insurance loss, and enable us to contact you if necessary. By registering online or by phone you will:
 - Protect your investment with a five year parts and labour warranty.
 - Receive helpful tips on using your appliance.
 - Get expert advice from the Dyson helpline.
 - Be the first to hear about our latest inventions.
- Registering only takes a few minutes and all you need is your serial number.

LIMITED 5 YEAR WARRANTY

TERMS AND CONDITIONS OF THE DYSON 5 YEAR LIMITED WARRANTY.

WHAT IS COVERED

- Your Dyson appliance is warranted against original defects in materials and workmanship for a period of 5 years from the date of purchase, when used for normal domestic purposes in accordance with the Dyson Operating Manual. Please retain your proof of purchase. If you do not have your proof of purchase, your warranty will start 90 days after the date of manufacture, according to Dyson's records. This warranty provides, at no extra cost to you, all labour and parts necessary to ensure your appliance is in proper operating condition during the warranty period. The replacement of any part of your appliance under warranty will not extend the period of warranty. Any parts which are returned to Dyson will become the property of Dyson. Please call the Dyson Helpline at 1-877-397-6622 for more information.
- This limited warranty is subject to the following terms:

WHAT IS NOT COVERED

Dyson Canada Limited shall not be liable for costs, damages or repairs incurred as a result of, due to, or from:

- Purchases of appliances from unauthorized dealers.
- Careless operation or handling, misuse, abuse and/or lack of maintenance or use not in accordance with the Dyson Operating Manual.
- Use of the appliance other than for normal domestic purposes within Canada, e.g. for commercial or rental purposes.
- Use of parts not in accordance with the Dyson Operating Manual.
- Use of parts and accessories other than those produced or recommended by Dyson.
- Faulty installation (except where installed by Dyson).
- External sources such as weather, electrical outages or power surges.
- Repairs or alterations carried out by unauthorized parties or agents.
- Clearing blockages from your appliance or washing of the filter.
- Normal wear and tear, including normal wearing parts, such as clear bin, filter, brush bar, and power cord (or where external damage or abuse is diagnosed), carpet or floor damage due to use not in accordance with Dyson's Operating Manual or failure to turn the brush bar off when necessary.
- Damage as a result of use not in accordance with the rating plate.
- Use of this appliance on rubble, ash, plaster, drywall, liquids, or wet surfaces.
- Additionally, this limited warranty does not apply to any appliance that has had the serial number altered or removed. If you are in any doubt as to what is covered by your warranty, please contact the Dyson Helpline.

WARRANTY LIMITATIONS AND EXCLUSIONS

- Any implied warranties relating to your appliance including but not limited to warranty of merchantability or warranty of fitness for a particular purpose, are limited to the duration of this warranty. This limitation is not allowed by some Provinces and/or Territories and so this limitation may not apply to you.
- Your remedy for breach of this warranty is limited to the warranty service described above.
- Dyson Canada Limited will not be liable for any consequential damages or incidental damages you may incur in connection with your purchase and use of your appliance.
- This limited warranty gives you specific legal rights. You may also have other rights which vary by Province and/ or Territory.
- This limited warranty is not transferable.
- This limited warranty is only available in Canada.

WARRANTY SERVICE

- Please fill out and return the Warranty Form or register online at www.dysoncanada.ca
- Before service can take place, the terms of the warranty require that you contact the Dyson Helpline with your model name/number, serial number, date and place of purchase.
- Please keep your purchase receipt in a safe place to ensure you have this information.
- All work will be coordinated by Dyson Canada Limited or its authorized agents.
- Any replaced defective parts will become property of Dyson.
- Service under this warranty will not extend the period of this warranty.
- If your appliance is not functioning properly, please call the Dyson Helpline at 1-877-397-6622. Most issues can be rectified over the telephone by our trained Dyson Helpline staff. If this is not possible Dyson Canada Limited will arrange for your appliance to be repaired and returned in full working order at no extra cost to you.

WHEN REGISTERING YOUR DYSON APPLIANCE:

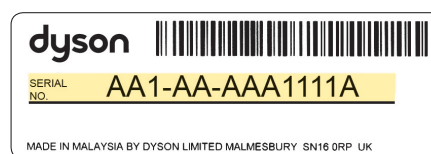
- You will need to provide us with basic contact information to register your product and enable us to support your warranty.
- When you register, you will have the opportunity to choose whether you would like to receive communications from us. If you opt-in to communications from Dyson, we will send you details of special offers and news of our latest innovations. We never sell your information to third parties and only use information that you share with us as defined by our privacy policies which are available on our website. www.dysoncanada.ca

PRODUCT INFORMATION

Please note: Small details may vary from those shown.

Your serial number can be found on your rating plate which is behind the clear bin.

Note your serial number for future reference.



This illustration is for example purposes only.

UTILISATION DE VOTRE APPAREIL DYSON

VEUILLEZ LIRE LES « CONSIGNES DE SÉCURITÉ IMPORTANTES » DANS CE GUIDE D'UTILISATION DYSON AVANT DE POURSUIVRE.

ASSEMBLAGE

- Mettez l'aspirateur sur le dos.
- Fixez la tête de nettoyage en l'insérant sur les pièces de fixation dans la partie inférieure du ballon. Assurez-vous que la fiche électrique de la tête de nettoyage s'insère correctement dans le double bloc de connexion sur le corps de l'aspirateur et qui se trouve directement au-dessus du conduit d'air. Exercez une pression ferme : la tête de nettoyage s'enclenche dans son logement.
- Remettez l'aspirateur à la verticale.
- Fixez la poignée du tube-rallonge en l'insérant dans la partie supérieure de l'aspirateur. Le ressort s'enclenche sur la poignée lorsqu'elle est dans son logement.
- Assurez-vous que le tuyau souple est bien droit. Appuyez sur le bouton jaune du tuyau souple. Faites glisser le tube-rallonge dans le tuyau souple.
- Assurez-vous qu'ils sont bien en place dans la cavité de la poignée. Insérez l'extrémité du tube-rallonge dans la poignée pour bien le mettre en place.
- Insérez le support à accessoires sur le côté du conduit, conformément à l'illustration.
- Fixez les accessoires, conformément à l'illustration. En mode utilisation, les accessoires peuvent être fixés sur le tuyau souple ou le tube-rallonge.
- Enroulez le cordon sur les crochets prévus à cet effet. Fixez-le à l'aide de la pince.

FONCTIONNEMENT

- Déroulez le cordon d'alimentation.
- Branchez l'aspirateur au secteur d'alimentation électrique principal.
- Pour le mettre en marche ou l'arrêter, appuyez sur le bouton jaune, conformément à l'illustration.
- Pour utiliser l'aspirateur, inclinez la poignée. Le stabilisateur se redresse automatiquement.
- Après utilisation, remettez l'aspirateur à la verticale, en le ré-enclenchant d'une pression ferme. Les roues du stabilisateur s'abaissent automatiquement.
- Ensuite, débranchez l'aspirateur, enroulez le cordon de façon sécuritaire et rangez l'aspirateur.
- Mettre l'aspirateur hors tension, le débrancher et s'assurer qu'il est en position verticale avant d'effectuer les opérations suivantes :
 - changer ou utiliser les accessoires;
 - retirer le tuyau souple ou les conduits d'inspection.
- Pour transporter l'appareil, se servir de la poignée sur le cyclone.

ACCESSOIRES

- Pour dégager le tube-rallonge, ouvrez le capuchon recouvrant ce dernier et retirez le tube jaune de l'intérieur de la section de la poignée jusqu'à ce qu'il s'enclenche dans son logement.
- Si vous souhaitez utiliser le tuyau souple sans le tube-rallonge, suivez les instructions ci-dessus et appuyez sur le bouton jaune pour détacher le tube-rallonge du tuyau souple.

TAPIS OU PLANCHERS DURS

- La brosse se met automatiquement en marche (elle tourne) chaque fois que vous mettez l'aspirateur en marche et l'inclinez pour le passer.
- La brosse ne tourne pas lorsque l'aspirateur est à la verticale.
- Pour désactiver la brosse (par ex. pour les tapis et les planchers délicats) :
 - mettre l'aspirateur hors tension
 - incliner l'aspirateur
 - appuyer sur l'interrupteur qui commande la brosse; cette dernière se désactive.
- La brosse s'arrête automatiquement si elle est obstruée. Voir « Brosse – Élimination des obstructions ».
- Avant de nettoyer les planchers, tapis et moquettes, vérifiez les recommandations de nettoyage du fabricant.
- Des peluches peuvent se former sur certaines moquettes si une brosse rotative est utilisée. Si cela se produit, il est conseillé de passer l'aspirateur en mode brosse désactivée et de consulter le fabricant de revêtements de sol.
- La brosse peut endommager certains types de tapis. Si vous n'êtes pas certain, désactivez la brosse.
- Vérifiez régulièrement la brosse et retirez tous les débris accumulés (comme les cheveux). Les débris accumulés sur la brosse peuvent endommager le sol lorsque vous passez l'aspirateur.

SOINS À APPORTER À L'APPAREIL

- Ne pas effectuer d'autres réparations et entretiens que ceux recommandés dans ce guide d'utilisation Dyson ou par le service d'assistance téléphonique Dyson.
- Utiliser seulement des pièces recommandées par Dyson. Ne pas suivre cette recommandation pourrait rendre votre garantie non valide.
- Ranger l'appareil à l'intérieur. Ne pas utiliser ni entreposer à moins de 3 °C (37,4 °F). S'assurer que l'appareil est à la température ambiante avant utilisation.
- Nettoyer l'appareil seulement à l'aide d'un chiffon sec. Ne pas utiliser de lubrifiant, de produit de nettoyage, de produit à polir ou de désodorisant sur l'appareil.
- Si vous utilisez l'aspirateur dans un garage, veillez à bien nettoyer la semelle et le ballon à l'aide d'un linge sec après utilisation pour enlever tout le sable, la saleté ou les cailloux qui pourraient endommager les revêtements de sol délicats.

PASSER L'ASPIRATEUR

- Ne pas utiliser sans le collecteur transparent et le filtre.
- Les fines particules de poussière comme la farine ne doivent être aspirées qu'en très petites quantités.
- Ne pas utiliser l'appareil pour ramasser des objets durs et pointus, des petits jouets, des épingles, des trombones, etc. Ils pourraient endommager l'appareil.
- Durant le passage de l'appareil, certains tapis pourraient générer de petites charges électrostatiques dans le collecteur transparent ou le tube-rallonge. Ces charges sont complètement inoffensives et ne sont pas liées à l'alimentation électrique. Pour en réduire au minimum les effets, ne pas placer les mains ni insérer d'objet dans le collecteur transparent avant de l'avoir complètement vidé et rincé à l'eau froide (se reporter à la section « Nettoyage du collecteur transparent »).
- Lorsque vous passez l'aspirateur dans les escaliers, il ne doit pas se trouver sur une marche plus haute que vous. Pour nettoyer les escaliers, il est conseillé de fixer un accessoire au bout du tuyau souple et non le tube-rallonge.
- Ne pas placer l'aspirateur sur une chaise, une table, etc.
- Avant de passer l'aspirateur sur les planchers de bois ou de linoléum bien cirés, vérifier en premier qu'il n'y a aucun objet sous l'accessoire pour plancher et dans les soies, susceptible de laisser des marques.
- Ne pas laisser la tête de l'aspirateur au même endroit sur les planchers délicats.

VIDAGE DU COLLECTEUR TRANSPARENT

- Vider le collecteur dès que le niveau MAX est atteint – ne pas dépasser ce niveau.
- Mettre l'aspirateur hors tension et le débrancher avant de vider le collecteur.
- Pour retirer le cyclone et le collecteur transparent, appuyez sur le bouton jaune sur le haut de la poignée du cyclone.
- Pour vider le collecteur, appuyez à fond sur ce même bouton jaune sur le haut de la poignée du cyclone.
- Pour réduire le contact avec la poussière et les allergènes, recouvrir le collecteur transparent d'un sac plastique et le vider.
- Retirer avec précaution le collecteur du sac.
- Fermer hermétiquement le sac et le mettre au rebut selon la procédure normale.
- Pour réassembler l'ensemble :
 - assurez-vous qu'il n'y ait pas de poussière ou de saleté dans le conduit d'air situé à la base du collecteur
 - remettez le collecteur transparent en place en l'enclenchant fermement par la base
 - fixez le cyclone et le collecteur transparent sur le corps principal de l'aspirateur; les deux unités s'enclenchent dans leur logement respectif
 - assurez-vous que le cyclone et le collecteur transparent sont bien en place

NETTOYAGE DU COLLECTEUR TRANSPARENT

Pour séparer le cyclone du collecteur, appuyez sur le bouton jaune pour dégager la base du collecteur. Cette manœuvre dégage un petit bouton argenté qui se trouve derrière le mécanisme d'ouverture. Appuyez sur ce bouton argenté pour séparer le cyclone du collecteur.

- Ne pas utiliser de détergent, de cire ni de désodorisant pour laver le collecteur transparent.
- Ne pas mettre le collecteur transparent dans le lave-vaisselle.
- Ne pas plonger le cyclone dans l'eau et ne pas verser d'eau dans les éléments le constituant.
- Pour nettoyer l'enveloppe du cyclone, utiliser uniquement un chiffon humide.
- S'assurer que le collecteur transparent est entièrement sec avant de le remettre en place.

LAVAGE DES FILTRES

- Cet aspirateur comprend deux filtres lavables situés aux emplacements indiqués dans l'illustration.
 - Vérifiez et lavez le filtre à intervalles réguliers conformément aux instructions afin de le conserver en parfait état de fonctionnement.
 - Mettez l'aspirateur hors tension et débranchez-le avant de vérifier ou retirer les filtres.
Les filtres doivent être nettoyés plus souvent si l'appareil est utilisé pour aspirer de fines poussières ou de la poudre nettoyante pour tapis et moquettes.
 - Laver uniquement à l'eau froide. Ne pas utiliser de détergent.
 - Ne mettez pas les filtres dans un lave-vaisselle, une laveuse, une sècheuse, un four, un four à micro-ondes ou près d'une flamme nue.
- ### FILTRE A
- Retirer le collecteur et le cyclone (voir « Vidage du collecteur transparent »).
 - Appuyez sur le bouton de dégagement à l'avant de la poignée du cyclone, puis retirez le filtre.
 - Laver le filtre à l'eau froide seulement. Tenir le filtre sous le robinet et laisser l'eau s'écouler par l'ouverture jusqu'à ce qu'elle soit claire. Retourner le filtre et le secouer.
 - Passer le côté extérieur du filtre sous l'eau jusqu'à ce qu'elle soit claire.
 - Presser et tordre le filtre avec les deux mains pour éliminer tout résidu d'eau.
 - Déposez le filtre sur sa partie plus large, soit l'extrémité ouverte, pour qu'il sèche. Laissez-le sécher complètement au minimum pendant 24 heures.
 - Remplacez le filtre dans le cyclone. Réenclenchez la poignée dans son logement. Assurez-vous que la languette s'enclenche et est bien en place. Placez le cyclone et le collecteur transparent sur l'aspirateur (cf. instructions ci-dessus).
- ### FILTRE B
- Mettez l'aspirateur sur le côté.
 - Pour retirer le filtre B :
 - Pour retirer le couvercle du ballon, tournez dans le sens antihoraire le bouton jaune de verrouillage situé sur ce dernier.
 - Soulevez le couvercle.
 - Pour retirer le filtre, faites-le tourner d'un quart de tour dans le sens antihoraire.
 - Laver le filtre à l'eau froide seulement.
 - Il faut rincer le filtre B jusqu'à ce que l'eau soit claire et le secouer; ensuite, il faut le secouer de nouveau pour éliminer tout résidu d'eau. (Tapez sur le bord en plastique, et non sur le filtre.) Laissez sécher le filtre complètement au minimum pendant 24 heures.
 - Il est normal que le filtre ait une coloration grise.
 - Pour remettre en place le filtre B :
 - Réinsérez le filtre dans son logement dans le ballon.
 - Remettez le filtre en place en le faisant tourner en sens horaire de sorte que les flèches soient alignées.
 - Pour remettre le couvercle sur le ballon de l'aspirateur, faites tourner dans le sens horaire le bouton de verrouillage central. Lorsque vous entendez un clic, cela signifie que le couvercle est correctement enclenché.

OBSTRUCTIONS – PROTECTEUR THERMIQUE À RÉENCLÈCHEMENT AUTOMATIQUE

- Cet appareil est doté d'un protecteur thermique à réenclenchement automatique.
- De gros objets peuvent obstruer les accessoires ou l'embout du tube-rallonge. Si un élément est obstrué, l'aspirateur peut surchauffer et s'arrêter automatiquement.
- Si c'est le cas, suivez les instructions ci-dessous à la rubrique « Vérification de la présence d'obstructions ».
- REMARQUE : De gros objets peuvent obstruer les accessoires ou l'embout du tube-rallonge. Si cela se produit, ne pas actionner le bouton de dégagement du tube-rallonge. Mettre l'aspirateur hors tension et le débrancher. Le non-respect de cette directive peut entraîner des blessures.

VÉRIFICATION DE LA PRÉSENCE D'OBSTRUCTIONS

- Mettre l'aspirateur hors tension et le débrancher avant de vérifier la présence d'obstructions. Le non-respect de cette directive peut entraîner des blessures.
- Après utilisation, laissez l'aspirateur refroidir pendant 1 à 2 heures avant de vérifier les filtres ou vérifier s'il y a une obstruction.
- Éliminer toute obstruction avant de remettre l'appareil en marche.
- Vérifiez s'il y a des obstructions dans le tube-rallonge, les conduits d'air et la tête de nettoyage.
- Pour retirer le tuyau souple de l'aspirateur, vous devez retirer le tube-rallonge.
- Ouvrez le capuchon de dégagement du tube-rallonge.
- Tirez le tube-rallonge vers le haut, en le faisant passer par la poignée.
- Appuyez sur le bouton jaune de dégagement situé sur le collet de raccordement et séparez le tube-rallonge du tuyau souple.
- Retirez le collecteur transparent et l'ensemble de cyclones. Détachez le tuyau souple de l'aspirateur en appuyant sur la languette argentée à la base du tuyau souple – vous pouvez la voir de l'avant de l'aspirateur.

- Vérifiez s'il y a des obstructions dans le tuyau souple.
- Prendre garde aux objets pointus lorsque vous éliminez les obstructions.
- Pour remettre le tuyau souple en place, alignez les repères à la base de ce dernier avec les cannelures dans le col du conduit d'air. Assurez-vous que la languette argentée est dirigée vers l'avant de l'aspirateur. Insérez le tuyau souple. Il s'enclenche dans son logement. Pour remettre le tube-rallonge en place, suivez les instructions dans la « Fonctionnement » section.
- Pour retirer la plaque de base et accéder aux obstructions, voir la section « Plaque de base – démontage/remontage ».
- Pour vérifier s'il y a des obstructions dans le conduit d'air avant entre le ballon et la tête de nettoyage, vous devez retirer cette dernière : reportez-vous à la section « Plaque de base – démontage/remontage » à cette fin.
- Pour vérifier s'il y a des obstructions dans le conduit d'air avant entre le ballon et la tête de nettoyage, vous devez retirer le tuyau souple. Sortir le manchon argenté en le faisant glisser. Bien vérifier s'il n'y a pas d'obstructions et remettre le tout en place.
- Prendre garde aux objets pointus lorsque vous éliminez les obstructions.
- Pour vérifier s'il y a des obstructions dans le ballon, ouvrez le conduit d'admission d'air en plastique transparent sur le haut.
- Remettez en place toutes les parties de l'appareil avant de l'utiliser.
- L'élimination des obstructions n'est pas couverte par la garantie.

BROSSE – ÉLIMINATION DES OBSTRUCTIONS

- S'il y a des obstructions sur la brosse, elle peut s'arrêter. Dans un tel cas, vous devez retirer les obstructions.
- Mettre l'aspirateur hors tension et le débrancher avant de procéder à la vérification. Le non-respect de cette directive peut entraîner des blessures.
- Faire attention aux objets pointus pendant l'élimination des obstructions.
- Si vous ne pouvez toujours pas retirer les obstructions, suivez les instructions ci-dessous pour retirer la plaque de base. Cela permet d'accéder plus facilement aux corps étrangers qui font obstacle. Vous pouvez également communiquer avec un expert de Dyson en composant le numéro de la ligne d'assistance ou aller sur le site Web Dyson. L'élimination d'obstructions sur la brosse n'est pas couverte par votre garantie.

PLAQUE DE BASE – DÉMONTAGE/REMONTAGE

- Mettre l'aspirateur hors tension et le débrancher avant de procéder à la vérification. Le non-respect de cette directive peut entraîner des blessures.
- Mettez l'aspirateur sur le côté face.
- Détachez la pince argentée « C » qui se trouve sur le raccord entre la tête de nettoyage et l'aspirateur. Bien qu'elle soit de conception robuste, ne tirez cependant pas trop fortement sur la pince. Appliquez une pression constante et ferme.
- Détachez la tête de nettoyage de l'aspirateur. Appliquez une pression constante et ferme.
- À chacune des extrémités de la tête de nettoyage se trouvent deux leviers argentés:
 - faites-les tourner à angle droit
 - ouvrez la plaque de base en la pivotant
- Faire attention aux objets pointus pendant l'élimination des obstructions.
- Pour la remettre en place, rabattez-la.
- Pour l'enclencher fermement, faites pivoter les deux leviers argentés dans leur position de sorte qu'ils affleurent parfaitement avec la surface de la tête de nettoyage.
- Remplacez la pince argentée « C » sur la tête de nettoyage. Le côté le plus plat de la pince s'appuie contre la tête de nettoyage. Il est plus facile d'insérer un tenon dans sa fente avant l'autre.
- Mettez l'aspirateur sur le dos.
- Fixez la tête de nettoyage en l'insérant sur les pièces de fixation dans la partie inférieure du ballon. Assurez-vous que la fiche électrique de la tête de nettoyage s'insère correctement dans le double bloc de connexion sur le corps de l'aspirateur et qui se trouve directement au-dessus du conduit d'air. Exercez une pression ferme : la tête de nettoyage s'enclenche dans son logement.

INFORMATION RELATIVE À L'ÉLIMINATION DU PRODUIT

- Les produits Dyson sont fabriqués à partir de matériaux hautement recyclables. Le recycler dans la mesure du possible.

SOUTIEN EN LIGNE

- Pour de l'aide en ligne, des conseils généraux et des informations utiles sur Dyson.
www.dysoncanada.ca/up19supportvideos
www.dysoncanada.ca/support

ASSISTANCE À LA CLIENTÈLE DYSON

MERCI D'AVOIR CHOISI D'ACHETER UN APPAREIL DYSON

Si vous avez des questions au sujet de votre appareil Dyson, composez le numéro de la ligne d'assistance Dyson en ayant en main le numéro de série de votre appareil et la facture de votre achat. Il est possible d'obtenir des réponses à la plupart des questions par téléphone auprès d'un de nos agents de la ligne d'assistance Dyson. Si votre appareil Dyson nécessite une réparation, composez le numéro de la ligne d'assistance téléphonique de Dyson. Nous vous présenterons les options qui s'offrent à vous. Si l'appareil est sous garantie et que la réparation est couverte par cette dernière, la réparation sera effectuée gratuitement.

VEUILLEZ VOUS ENREGISTRER EN TANT QUE PROPRIÉTAIRE D'UN APPAREIL DYSON

Afin de nous aider à vous offrir un service rapide et efficace, veuillez prendre le temps d'enregistrer votre achat auprès de nous. Vous pouvez le faire de trois façons :

- En ligne à l'adresse www.dysoncanada.ca
 - Par téléphone en appelant la ligne d'assistance Dyson au 1-877-397-6622.
 - Par la poste en remplissant le formulaire de garantie ci-joint et en nous l'envoyant.
- Ceci vous permet de confirmer que vous êtes le propriétaire de votre appareil en cas de sinistre et nous permet de communiquer avec vous au besoin.

En vous inscrivant en ligne ou par téléphone, vous bénéficiez des avantages suivants :

- Vous protégez votre investissement grâce à une garantie de cinq ans sur les pièces et la main-d'œuvre.
- Vous obtenez des conseils utiles pour l'utilisation de votre appareil.
- Vous obtenez des conseils d'experts grâce à la ligne d'assistance Dyson.
- Vous êtes le premier à connaître nos dernières inventions.
- L'inscription ne prend que quelques minutes; il vous suffit d'avoir votre numéro de série.

GARANTIE LIMITÉE DE CINQ ANS

CONDITIONS DE LA GARANTIE LIMITÉE DYSON DE 5 ANS

CE QUI EST COUVERT

- Votre appareil Dyson est garanti contre tout défaut de matériaux d'origine et de main-d'œuvre pendant une période de cinq ans à compter de la date d'achat, en usage domestique normal, conformément au guide d'utilisation Dyson. Veuillez conserver votre preuve d'achat. Cette garantie vous offre, sans aucuns frais supplémentaires, la couverture pièces et main-d'œuvre requise afin que votre appareil fonctionne correctement pendant la durée de validité de la garantie. Le remplacement de toute pièce sur votre appareil ne prolonge en aucun cas la durée de la garantie. Toute pièce retournée devient la propriété de Dyson. Pour plus d'information, veuillez composer le numéro de la ligne d'assistance Dyson, soit le 1-877-397-6622.
- La garantie est valable uniquement dans le pays dans lequel l'appareil a été acheté.

CE QUI N'EST PAS COUVERT

Dyson Canada Limited décline toute responsabilité pour les coûts, dommages ou réparations engendrés par les situations découlant:

- de l'achat d'un appareil auprès d'un détaillant non autorisé;
- de toute utilisation ou manipulation négligente, d'une mauvaise utilisation, d'un manque d'entretien ou de toute utilisation non conforme au guide d'utilisation Dyson;
- de toute utilisation de l'appareil à des fins autres qu'un usage domestique normal au Canada, c'est-à-dire à des fins commerciales ou de location;
- d'une utilisation de pièces non recommandées par le guide d'utilisation;
- de l'utilisation de pièces et d'accessoires autres que ceux fournis ou recommandés par Dyson;
- d'une installation défectueuse (sauf si elle a été effectuée par Dyson);
- de facteurs externes tels que les intempéries, des défaillances électriques ou des surtensions;
- de réparations ou modifications effectuées par des parties ou représentants non autorisés;
- de l'élimination des obstructions sur l'appareil ou du lavage du filtre;
- de l'usure normale, y compris l'usure normale des pièces telles que le collecteur transparent, le filtre, la brosse et le cordon d'alimentation (ou sur un élément où l'on constate des dommages externes ou ayant fait l'objet d'une mauvaise utilisation), de tout dommage causé aux tapis ou aux sols en raison d'un non-respect du guide d'utilisation Dyson ou du fait d'avoir omis de désactiver la brosse;
- Dommage découlant d'une utilisation non conforme aux indications sur la plaque signalétique.
- de l'utilisation de l'appareil sur des surfaces mouillées, en placoplâtre ou des surfaces où il y a des gravats, des cendres, du plâtre ou des liquides.

- En outre, la garantie limitée ne s'applique pas à tout appareil dont le numéro de série a été modifié ou supprimé. Si vous avez des doutes quant à ce qui est couvert par la garantie, veuillez communiquer avec la ligne d'assistance Dyson.

RESTRICTIONS ET EXCLUSIONS DE GARANTIE

- Toutes les garanties implicites liées à votre appareil, y compris, mais sans s'y limiter, les garanties de qualité marchande ou de convenance à un usage particulier sont limitées à la durée de la présente garantie. Cette limitation n'est pas permise dans certaines provinces et territoires et, par conséquent, pourrait ne pas s'appliquer à vous.
- Le recours dont vous disposez eu égard à la violation de la présente garantie est limité aux stipulations décrites ci-dessous.
- Dyson Canada Limited décline toute responsabilité pour tout dommage consécutif ou accessoire subi lié à l'achat ou l'utilisation de votre appareil.
- La présente garantie vous confère des droits juridiques particuliers. Vous pouvez aussi avoir d'autres droits selon la province ou le territoire où vous résidez.
- La présente garantie limitée est incessible.
- La présente garantie limitée est disponible uniquement au Canada.

RÉPARATIONS SOUS GARANTIE

- Veuillez remplir le formulaire de garantie et nous le retourner, ou enregistrer votre produit en ligne à l'adresse www.dysoncanada.ca
- Les conditions de la garantie stipulent que vous devez, avant que soit faite la réparation, composer le numéro du service d'assistance téléphonique de Dyson en ayant en main le nom ou le numéro de modèle de votre appareil, le numéro de série, la date et l'endroit où vous avez effectué l'achat.
- Veuillez conserver le coupon de caisse dans un endroit sûr afin de ne pas perdre ces renseignements.
- Toutes les réparations sont effectuées par Dyson Canada Limited ou un de ses représentants autorisés.
- Toute pièce défectueuse remplacée devient la propriété de Dyson.
- Les réparations effectuées sous garantie ne prolongeront pas la période de la présente garantie.
- Si votre appareil ne fonctionne pas correctement, communiquez avec le service d'assistance téléphonique de Dyson au 1-877-397-6622. La plupart des problèmes peuvent être réglés au téléphone avec l'aide d'un membre du personnel qualifié du service d'assistance téléphonique de Dyson.

LORSQUE VOUS ENREGISTREZ VOTRE APPAREIL DYSON:

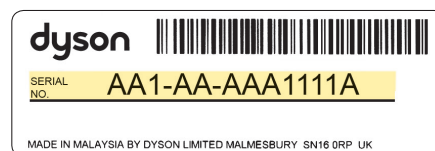
- Vous devez nous fournir des coordonnées de base afin d'enregistrer votre produit et nous permettre de vous assurer de notre garantie.
- Lorsque vous vous enregistrez, vous pouvez choisir si vous souhaitez recevoir des communications de notre part. Dans l'affirmative, nous vous enverrons des descriptions détaillées de nos offres spéciales et des nouvelles sur nos toutes dernières innovations. Nous nous engageons à ne pas céder vos données personnelles à des tiers et à utiliser uniquement les renseignements que vous nous transmettez tel que défini dans nos politiques sur la protection de la vie privée qui sont disponibles sur notre site Web. www.dysoncanada.ca

INFORMATION SUR LE PRODUIT

Veuillez prendre note : Certains petits détails peuvent varier de ceux illustrés.

Le numéro de série se trouve sur la plaque signalétique apposée derrière le collecteur transparent.

Veuillez noter le numéro de série pour référence ultérieure.



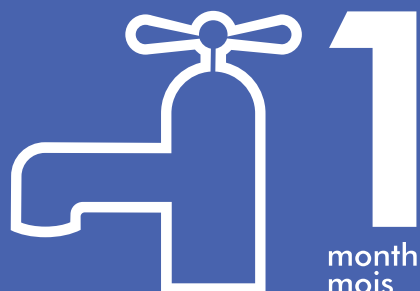
Cette illustration est présentée à titre d'exemple.

IMPORTANT!

WASH FILTERS

Wash filters with cold water at least once every month.

The filters may require more frequent washing if vacuuming fine dust.



IMPORTANT!

LAVER LES FILTRES

Laver les filtres à l'eau froide au moins une fois par mois.

Les filtres doivent être nettoyés plus souvent si l'appareil est utilisé pour aspirer de fines poussières.



Dyson Helpline

If you have a question about your Dyson appliance, call the Dyson Helpline with your serial number and details of where and when you purchased the appliance, or contact us via the Dyson website.

Ligne d'assistance Dyson

Si vous avez des questions sur votre appareil Dyson, communiquez avec le service d'assistance téléphonique de Dyson. Ayez en main votre numéro de série et les détails relatifs à l'achat de l'appareil ou communiquez avec nous par l'entremise du site Web de Dyson.

DYSON CONTACT DETAILS

Website: www.dysoncanada.ca
Dyson Helpline: 1-877-397-6622
Monday – Friday 8am – 7pm (EST).
Saturday 9am – 5pm (EST).
Closed Sundays and civic holidays.

COORDONNÉES

Site Web: www.dysoncanada.ca
Ligne d'assistance Dyson: 1-877-397-6622
Du Lundi au Vendredi – de 8 h à 19 h (HNE).
Le Samedi – de 9 h à 17 h (HNE).
Fermé les Dimanches et pendant les congés officiels.