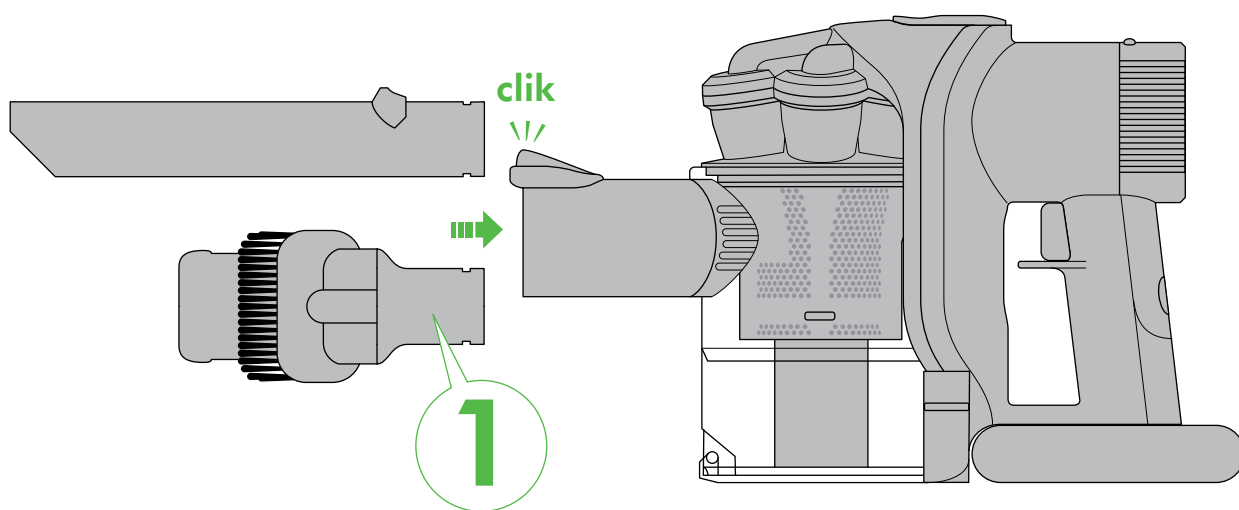


ASSEMBLY • ASSEMBLAGE



1
month
mois

WASH FILTER
Wash filter with cold water at least every month.

LAVER LE FILTRE
Laver le filtre à l'eau froide au moins une fois par mois.

REGISTER TODAY

Register your free 2 year warranty today

ENREGISTREMENT

Enregistrez votre garantie gratuite de 2 ans dès aujourd'hui



IMPORTANT SAFETY PRECAUTIONS

BEFORE CHARGING THE BATTERY OR USING THIS APPLIANCE READ ALL INSTRUCTIONS AND CAUTIONARY MARKINGS IN THIS MANUAL, ON THE CHARGER, ON THE BATTERY AND ON THE DYSON HANDHELD VACUUM CLEANER.

When using an electrical appliance, basic precautions should always be followed, including the following:

WARNING

TO REDUCE THE RISK OF FIRE, ELECTRIC SHOCK, OR INJURY:

1. This Dyson handheld vacuum cleaner and charger are not intended for use by young children or infirm persons with reduced physical, sensory or reasoning capabilities, or lack of experience and knowledge, unless they have been given supervision or instruction by a responsible person concerning use of the Dyson vacuum cleaner or charger to ensure that they can charge and use the Dyson vacuum cleaner safely.
2. Do not allow to be used as a toy. Close attention is necessary when used by or near children. Children should be supervised to ensure that they do not play with the Dyson vacuum cleaner or charger.
3. Do not install, charge or use the Dyson handheld vacuum cleaner outdoors, in a bathroom or within 3.1 metres (10 ft) of a pool. Do not use the Dyson handheld vacuum cleaner or charger on wet surfaces and do not expose to moisture, rain or snow. Do not use to pick up water.
4. Do not use or charge with damaged cord. If the Dyson handheld vacuum cleaner or charger is not working as it should, has received a sharp blow, has been dropped, damaged, left outdoors, or dropped into water, do not use and contact the Dyson Customer Care Helpline.
5. Do not unplug the charger by pulling on the cord. To unplug, grasp the charger, not the cord.
6. Unplug the charger from the outlet when not in use for extended periods. Make sure the charger cord is located so that it will not be stepped on, tripped over, or otherwise subjected to damage or stress.
7. Do not stretch the charger cord or place the cord under strain. Keep cord away from heated surfaces.
8. Do not handle the charger, including the charger terminals or Dyson handheld vacuum cleaner with wet hands.
9. Do not put any object into openings. Do not use with any opening blocked; keep free of dust, lint, hair, and anything that may reduce airflow.
10. Keep hair, loose clothing, fingers, and all parts of body away from openings and moving parts, such as the brush bar.
11. Use extra care when cleaning on stairs.
12. Do not use to pick up flammable or combustible liquids, such as gasoline, or use in areas where they may be present.
13. Do not pick up anything that is burning or smoking, such as cigarettes, matches, or hot ashes.
14. Do not use without the clear bin and filter in place.
15. Use only as described in this Dyson Operating Manual. Use only Dyson recommended accessories and replacement parts. Do not carry out any maintenance other than that shown in this Dyson Operating Manual, or advised by the Dyson Customer Care Helpline.
16. Contact the Dyson Customer Care Helpline when service or repair is required. Do not disassemble the Dyson handheld vacuum cleaner as incorrect reassembly may result in an electric shock or fire.
17. Use only Dyson chargers for charging this Dyson handheld vacuum cleaner. Use only Dyson batteries, other types of batteries may burst causing injury to persons and damage.
18. Unplug the charger from outlet before cleaning or maintenance.
19. The use of an extension cord is not recommended.
20. Do not incinerate this Dyson handheld vacuum cleaner even if it is severely damaged. The battery may explode in a fire.
21. Do not press the battery release button during normal operation.

READ AND SAVE THESE INSTRUCTIONS

THIS DYSON VACUUM CLEANER IS INTENDED FOR HOUSEHOLD USE ONLY.



Do not use near open flame.



Do not store near heat source.



Do not pick up water or liquids.



Do not pick up burning objects.

CONSIGNES DE SÉCURITÉ IMPORTANTES

AVANT DE RECHARGER LA BATTERIE OU D'UTILISER CET APPAREIL, LISEZ TOUTES VEILLER LIRE TOUTES LES CONSIGNES ET LES MISES EN GARDE INDIQUÉES DANS LE GUIDE D'UTILISATION, RELATIVES AU CHARGEUR, À LA BATTERIE ET L'ASPIRATEUR DYSON.

Lorsque vous utilisez un appareil électrique, vous devez toujours suivre les précautions de base suivantes:

AVERTISSEMENT

AFIN DE RÉDUIRE LES RISQUES D'INCENDIE, DE DÉCHARGE ÉLECTRIQUE OU DE BLESSURE :

1. Cet aspirateur et le chargeur Dyson ne doivent pas être utilisés par de jeunes enfants ni des personnes dont les capacités physiques, sensorielles ou de raisonnement sont réduites, ou qui manquent d'expérience ou de connaissances, à moins qu'une personne responsable ne les supervise ou leur indique comment utiliser l'aspirateur portatif et le chargeur en toute sécurité.
2. Cet appareil n'est pas un jouet. Faire très attention lorsqu'on l'utilise près d'enfants ou si ceux-ci s'en servent. Les enfants doivent faire l'objet d'une surveillance afin de s'assurer qu'ils ne jouent pas avec l'aspirateur portatif ou le chargeur.
3. Ne pas installer, recharger ou utiliser l'aspirateur portatif Dyson à l'extérieur, dans une salle de bains ou à moins de 3,1 mètres (10 pi) d'une piscine. Ne pas utiliser l'aspirateur ou le chargeur Dyson sur des surfaces humides et éviter de les exposer à l'humidité, à la pluie ou à la neige. Ne pas l'utiliser pour aspirer de l'eau.
4. Ne pas l'utiliser ou effectuer de recharge si le cordon est endommagé. Si l'aspirateur portatif ou le chargeur fonctionne mal, s'il a été échappé, endommagé, laissé à l'extérieur ou plongé dans l'eau, ne pas l'utiliser et communiquer avec le service d'assistance téléphonique de Dyson.
5. Ne pas débrancher le chargeur en tirant sur le cordon d'alimentation. Pour le débrancher, saisir le chargeur et non le cordon.
6. Débrancher le chargeur de la prise lorsqu'il n'est pas utilisé durant de longues périodes. S'assurer que le cordon du chargeur est placé à un endroit où il ne risque pas de causer une chute, d'être endommagé ou de subir des contraintes.
7. Ne pas étirer le cordon et ne pas exercer de tension sur celui-ci. Éloigner le cordon des surfaces soumises à la chaleur.
8. Ne pas manipuler le chargeur, les bornes de ce dernier ou l'aspirateur portatif Dyson si les mains sont mouillées.
9. Ne placer aucun objet dans les ouvertures. Ne pas l'utiliser si une ouverture est obstruée; enlever la poussière, les peluches, les cheveux et tout ce qui pourrait réduire la circulation de l'air.
10. Éloigner les cheveux, les vêtements amples, les doigts et toute partie du corps des ouvertures et des pièces mobiles, comme la brosse.
11. Redoubler de prudence dans les escaliers.
12. Ne pas l'utiliser pour aspirer des liquides inflammables ou combustibles, tels que l'essence, ni l'employer dans des endroits où des liquides de ce genre peuvent être présents.
13. Ne pas aspirer d'objets qui brûlent ou qui fument, comme des cigarettes, des allumettes ou des cendres incandescentes.
14. Ne pas utiliser sans que le collecteur transparent et le filtre ne soient bien en place.
15. Utiliser l'aspirateur portatif seulement de la façon décrite dans ce guide d'utilisation Dyson. Utiliser seulement les pièces de rechange et les accessoires recommandés par Dyson. Ne pas effectuer de travaux d'entretien autres que ceux indiqués dans ce guide ou recommandés par les préposés du service d'assistance téléphonique de Dyson.
16. Pour toute réparation ou procédure d'entretien, communiquer avec le service d'assistance téléphonique de Dyson. Ne pas démonter l'aspirateur portatif. S'il est réassemblé de manière inappropriée, cela peut causer un incendie ou des décharges électriques.
17. Utiliser seulement des chargeurs Dyson pour recharger la batterie de cet aspirateur portatif. N'utiliser que des batteries Dyson; la recharge d'autres types de batteries peut causer une explosion occasionnant des blessures et des dommages.
18. Débrancher le chargeur de la prise avant de nettoyer ou d'effectuer tout entretien.
19. L'utilisation d'une rallonge électrique est déconseillée.
20. Ne pas incinérer cet aspirateur portatif même s'il est très endommagé. Les batteries pourraient exploser.
21. Ne pas appuyer sur le bouton de dégagement de la batterie pendant l'utilisation normale de l'aspirateur portatif.

LIRE ET CONSERVER CES INSTRUCTIONS

CET ASPIRATEUR PORTATIF DYSON EST CONÇU POUR UN USAGE DOMESTIQUE SEULEMENT.



Ne pas utiliser près d'une flamme.



Ne pas ranger près d'une source de chaleur.

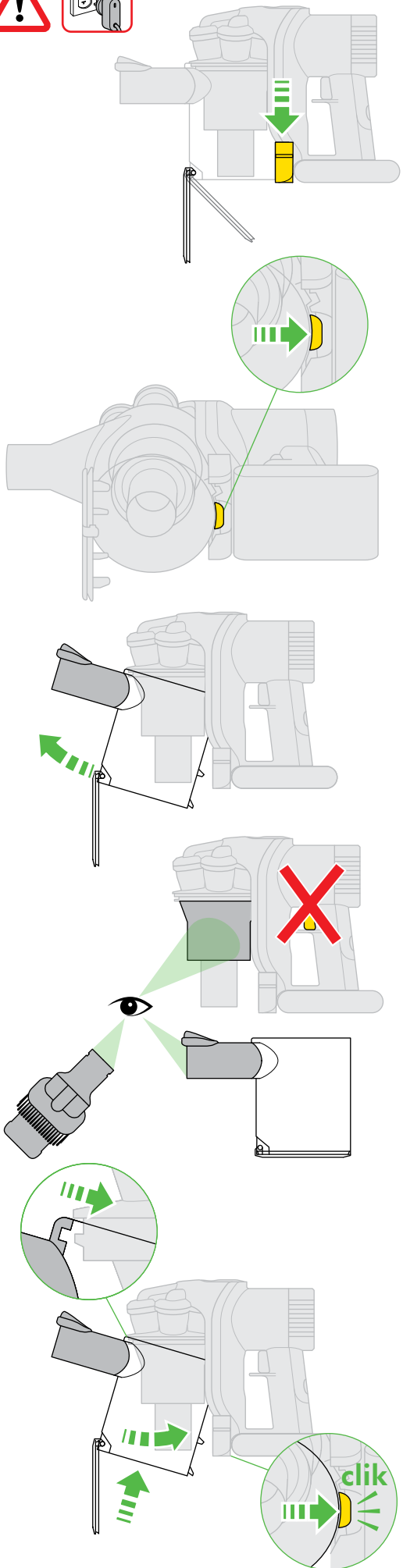
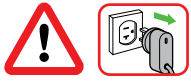


Ne pas aspirer d'eau ou tout autre liquide.

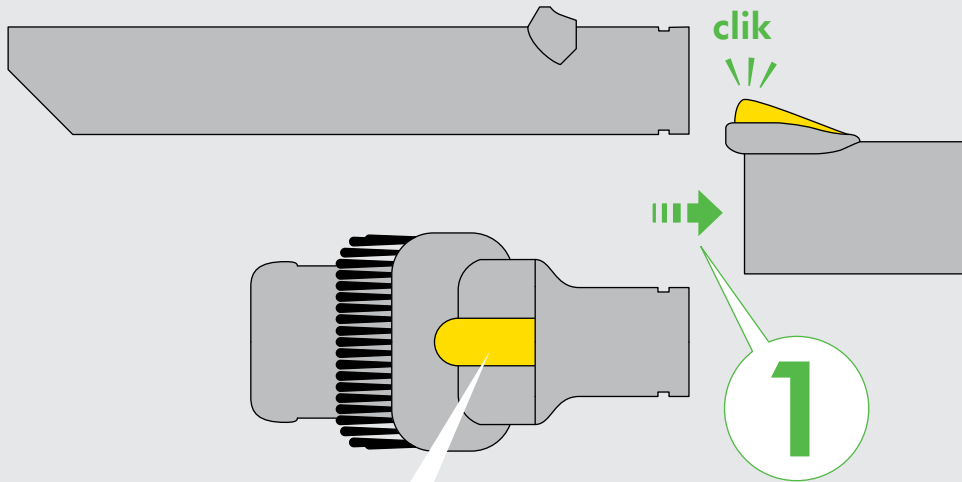
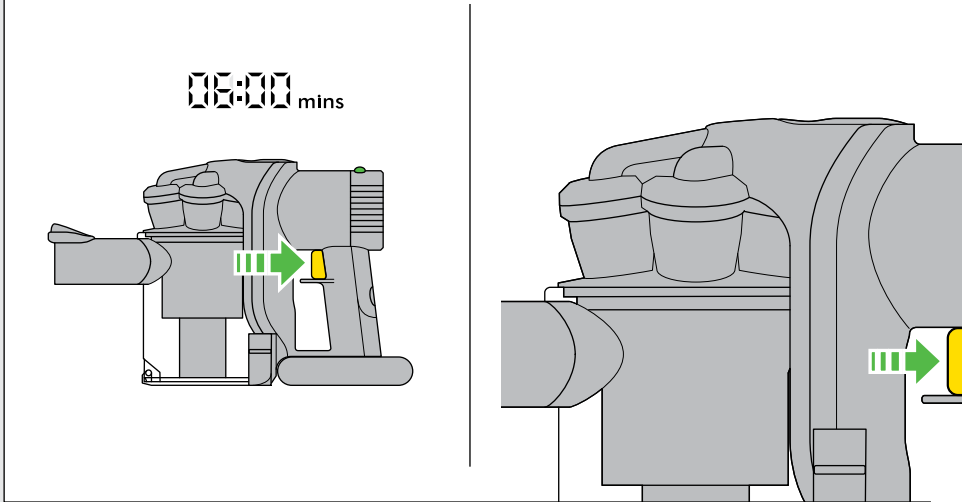


Ne pas aspirer d'objets en combustion.

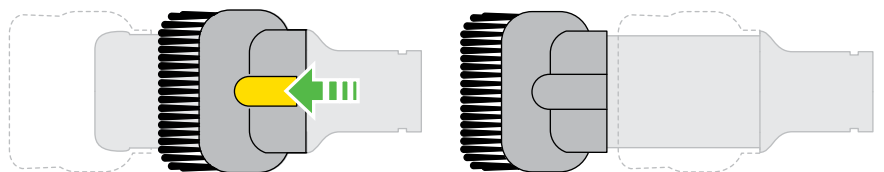
Looking for blockages
Vérification de la présence d'obstructions



Power • Puissance



Combination accessory tool • Embout combiné



1

2

00:00 min

Too cold/too hot – do not use
Trop froid/trop chaud – ne pas utiliser

2

Emptying the clear bin • Vidage du collecteur transparent

1

MAX

2

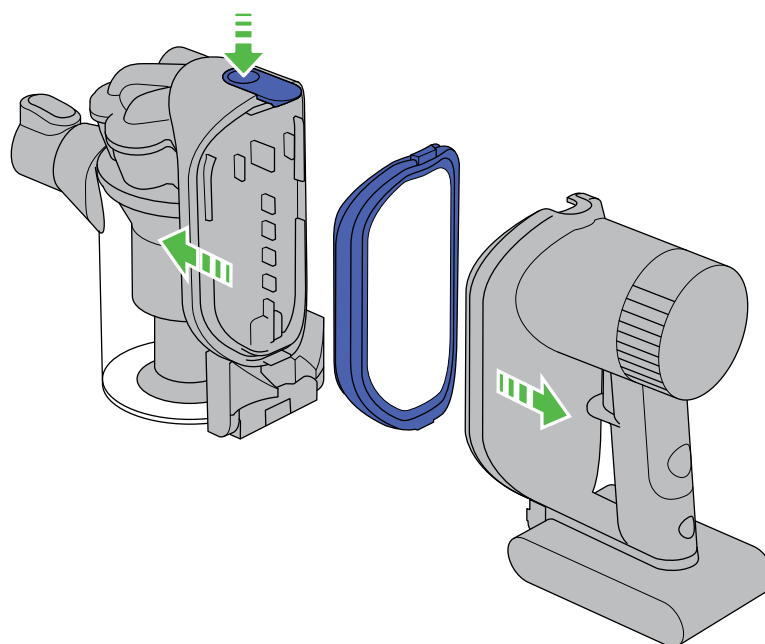
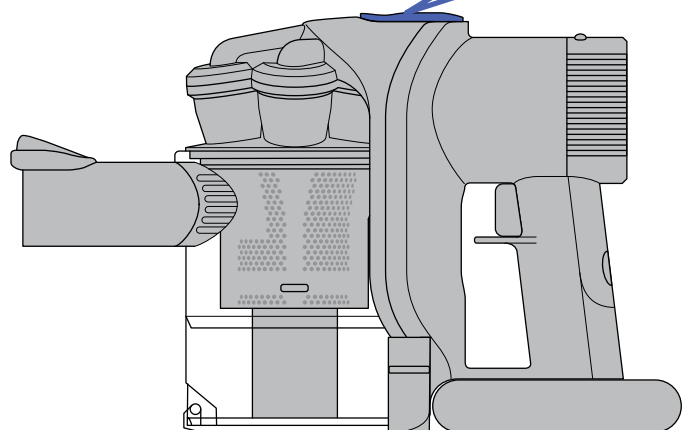
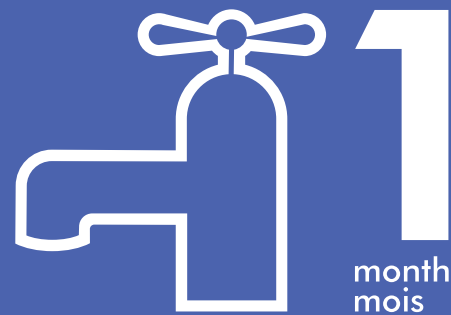
Charging • Rechargement

3.5 hrs

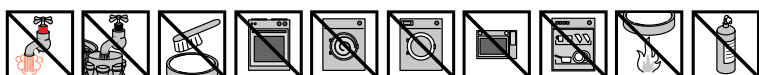
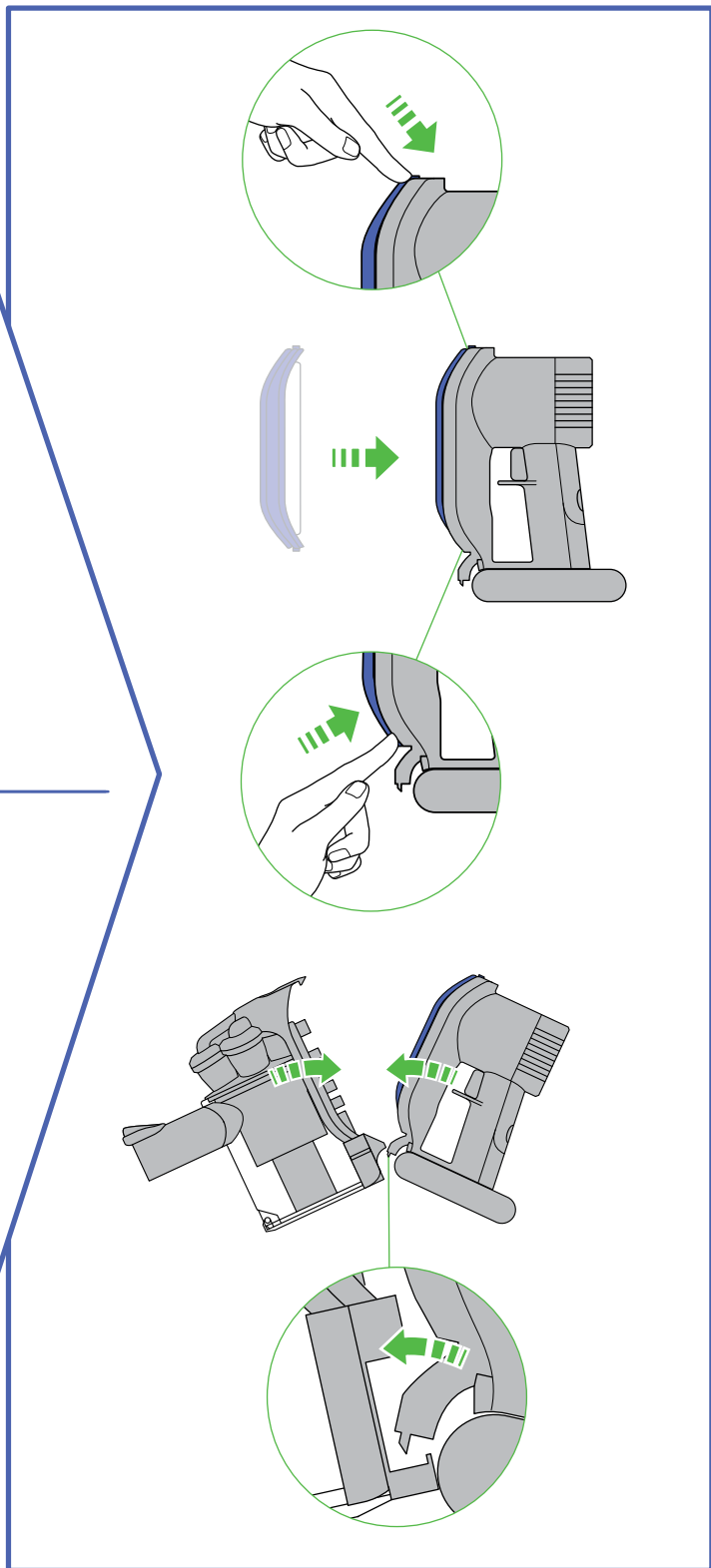
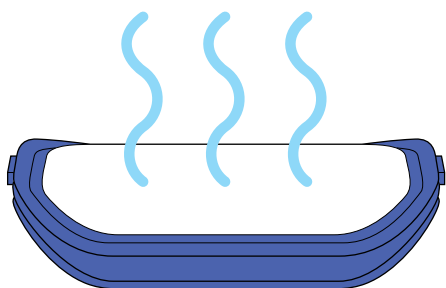
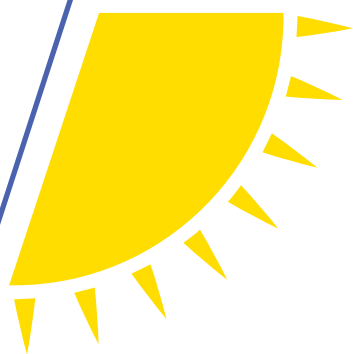
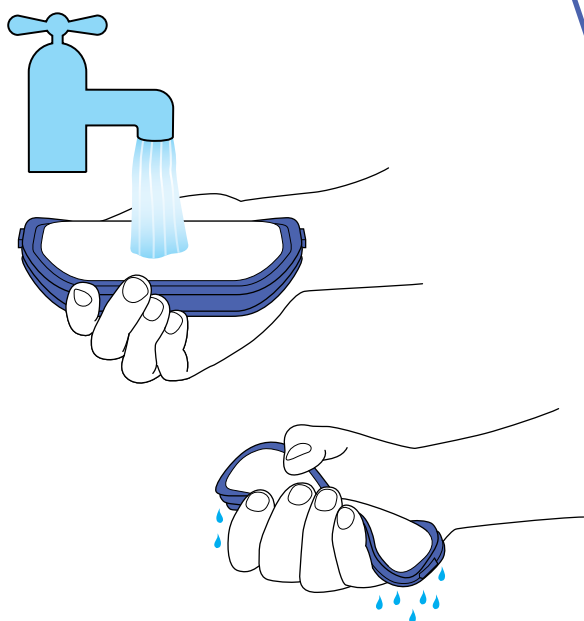
- Charging
Charge en cours
- Fully charged
Charge terminée
- Not charging - check battery
Aucune recharge - vérifier la batterie
- Not charging - too cold/too hot
Aucune recharge - trop froid/trop chaud

IMPORTANT!

WASH FILTER
LAVER LE FILTRE



Wash filter with cold water at least every month.
Laver le filtre à l'eau froide au moins une fois par mois.



USING YOUR DYSON HANDHELD VACUUM

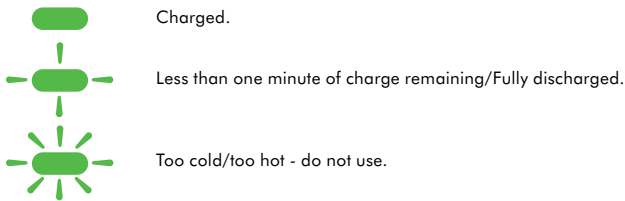
⚠ CAUTION:

- Take care not to engage battery release button during normal operation.
- Do not operate the Dyson handheld vacuum while checking for blockages.

PLEASE NOTE:

- Do not carry out any maintenance or repair work other than that shown in this Operating Manual or advised by the Dyson Helpline.
- This Dyson handheld vacuum is designed for domestic indoor and car use only. Do not use it whilst the car is in motion or while driving.
- Do not press down on the nozzle with excessive force when using the Dyson handheld vacuum as this may cause damage.
- If the motor overheats, the Dyson handheld vacuum will cut out automatically. Leave it to cool for at least an hour and check for blockages before restarting.
- Fine dirt such as flour or plaster dust should only be vacuumed in very small amounts.
- Consult your flooring manufacturer's recommended instructions before vacuuming and caring for your flooring, rugs, and carpet.
- Do not use any lubricants, cleaning agents, polishes or air fresheners on any part of the Dyson handheld vacuum or charger.
- This Dyson vacuum is fitted with a thermal cut-out. If any part of the Dyson vacuum becomes blocked the machine may overheat and automatically shut off. If this happens, switch off the Dyson vacuum and allow to cool before attempting to check filters or for blockages. Clear any blockages before restarting.
- Store the vacuum cleaner indoors. Do not use or store this vacuum cleaner below 4°C (39°F). Ensure that the vacuum cleaner is at room temperature before operating.

TROUBLESHOOTING – DYSON HANDHELD VACUUM



EMPTYING THE CLEAR BIN

⚠ CAUTION:

- Switch off Dyson handheld vacuum and disconnect from charger before emptying the clear bin.

PLEASE NOTE :

- Empty as soon as the dirt reaches the level of the MAX mark – do not overfill. To release the dirt, push the button at the side of the clear bin as shown, see page 5.
- Do not use the Dyson handheld vacuum without the clear bin in place.

CLEANING THE CLEAR BIN

⚠ CAUTION:

- Ensure the clear bin is completely dry before replacing.

PLEASE NOTE :

- To remove the clear bin, push the red button at the side of the clear bin as you would when emptying the clear bin. Then press the red release button on the underside of the Dyson handheld vacuum as shown.
- Use only cold water to clean the clear bin. Do not use detergents, polishes or air fresheners.
- Do not put the clear bin in a dishwasher.
- Clean the shroud with a cloth or dry brush to remove lint and dirt.

WASHING YOUR FILTER

⚠ CAUTION:

- Switch 'OFF' and disconnect from charger before removing the filter.
- Ensure filter is completely dry before refitting to Dyson handheld vacuum.

PLEASE NOTE :

- This Dyson handheld vacuum has one filter, located as shown, see pages 6 and 7. It is important to check your filter regularly and wash at least every month according to instructions, to maintain performance. Please leave to dry completely for 12 hours.
- The filter may require more frequent washing if vacuuming fine dust.
- Do not use detergents to clean the filter.
- Do not put the filter in the dishwasher, washing machine, tumble dryer, oven, microwave or near an open flame.

LOOKING FOR BLOCKAGES

⚠ CAUTION:

- Switch off the Dyson handheld vacuum and disconnect from charger before looking for blockages.
- Beware of sharp objects when clearing blockages.
- Refit all parts of the Dyson handheld vacuum securely before using.

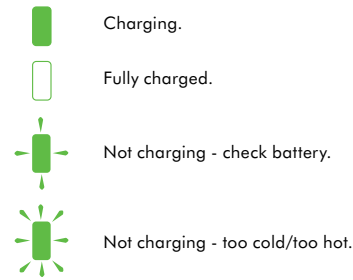
PLEASE NOTE :

- Clearing blockages is not covered by your Dyson handheld vacuum's limited warranty. If any part of your Dyson handheld vacuum becomes blocked, it may overheat and then automatically shut off.
- Unplug the Dyson handheld vacuum and leave to cool down. Clear blockage before restarting.

CHARGING AND STORING YOUR DYSON HANDHELD VACUUM

Your Dyson handheld vacuum will turn off if the battery temperature is below 37.4° F (3° C). This is designed to protect the motor and battery of your product. Do not charge the Dyson handheld vacuum and then move it to an area with a temperature below 37.4° F (3° C) for storage purposes.

TROUBLESHOOTING – CHARGING AND BATTERY



BATTERY SAFETY INSTRUCTIONS

Use only Dyson batteries and charging unit for this Dyson handheld vacuum. The battery is a sealed unit and under normal circumstances poses no safety concerns. In the unlikely event that liquid leaks from the battery do not touch the liquid and observe the following precautions:

Skin contact – can cause irritation. Wash with soap and water.

Inhalation – can cause respiratory irritation. Provide fresh air and seek medical advice.

Eye contact – can cause irritation. Immediately flush eyes thoroughly with water for at least 15 minutes. Seek medical attention.

Disposal – wear gloves to handle the battery and dispose of immediately following local ordinances or regulations.

⚠ CAUTION:

The battery used in this device may present a risk of fire or chemical burn if mistreated. Do not disassemble, short contacts, heat above 140° F (60° C), or incinerate. Replace battery with a Dyson battery only, use of any other battery may present a risk of fire or explosion. Dispose of used battery promptly. Keep away from children. Do not disassemble and do not dispose of in fire.

- The battery must be removed from the Dyson handheld vacuum before it is scrapped.
- The battery is to be disposed of safely.
- The handheld vacuum must be disconnected from the supply mains when removing the battery.
- Battery can be charged on or off the handheld vacuum. Take care when removing the battery.

DYSON CUSTOMER CARE

THANK YOU FOR CHOOSING TO BUY A DYSON HANDHELD VACUUM.

If you have a question about your Dyson handheld vacuum, please call the Dyson Helpline: 1-877-397-6622 with your serial number and details of where/when you bought the handheld vacuum, or contact us via the Dyson website. The serial number can be found on the main body of the handheld vacuum behind the filter. Most questions can be solved over the phone or by email with one of our Dyson Helpline staff. If your handheld vacuum needs service, call the Dyson Helpline so we can discuss the available options. If your handheld vacuum is under warranty, and the repair is covered, it will be repaired at no cost.

DYSON HELPLINE

Dyson Helpline: 1-877-397-6622 toll free, 6 days a week.

PLEASE REGISTER AS A DYSON MACHINE OWNER

Thank you for choosing to buy a Dyson handheld vacuum. To help us ensure you receive prompt and efficient service, please register as a Dyson machine owner.

There are three ways to do this:

- online at www.dyson.com
 - by calling the Dyson Helpline: 1-877-397-6622 toll free
 - by completing and returning the attached Warranty Form to us by mail.
- This will confirm ownership of your Dyson handheld vacuum in the event of an insurance loss, and enable us to contact you if necessary.

LIMITED 2 YEAR WARRANTY

TERMS AND CONDITIONS OF THE DYSON 2 YEAR LIMITED WARRANTY.

WHAT IS COVERED

Your Dyson handheld vacuum is warranted against original defects in material and workmanship for a period of two years from the date of purchase, when used for private household purposes in accordance with the Operating Manual. This warranty provides, at no extra cost to you, all labour and parts to place your handheld vacuum in proper operating condition during the warranty period. This warranty is subject to the following terms:

WHAT IS NOT COVERED

Dyson Canada Limited shall not be liable for costs incurred as a result of:

- Handheld vacuums purchased from an unauthorized dealer.
- Clearing blockages from your handheld vacuum.
- Use of parts not in accordance with the Operating Manual.
- Careless operation or handling, misuse and/or lack of maintenance or use not in accordance with the Operating Manual.
- External sources such as weather.
- Repairs or alterations carried out by unauthorized parties or agents.
- Use of the handheld vacuum other than for normal domestic purposes within the country of purchase, e.g. for commercial or rental purposes.
- Use of parts and accessories other than those produced or recommended by Dyson Canada Limited.
- Normal wear and tear, including normal wearing parts such as clear bin, filter, brush bar, power cord, and reduction in battery discharge time due to battery age or use (or where external damage or abuse is diagnosed).
- Use of parts and accessories other than those produced or recommended by Dyson Canada Limited.

WARRANTY SERVICE

- Please fill out and return the Warranty Form, or register online at: www.dyson.com
- Before service can take place, the terms of the warranty require that you contact the Dyson Helpline with your model name/number, serial number, date and place of purchase. Please keep your purchase receipt in a safe place to ensure you have this information. The serial number is found on the vacuum's rating plate, which is on the main body of the handheld vacuum behind the filter.
- All work will be carried out by Dyson Canada Limited or their authorized agents.
- Any replaced defective parts will become property of Dyson Canada Limited.
- Service under this warranty will not extend the period of this warranty.
- If your handheld vacuum is not functioning properly, please call the Dyson Helpline on 1-877-397-6622. Most issues can be rectified over the telephone by our trained Dyson Helpline staff. If this is not possible, Dyson Canada Limited will arrange for your handheld vacuum to be repaired and returned in full working order at no extra cost to you.
- Any replaced defective parts will not extend the period of this warranty.

WARRANTY LIMITATIONS AND EXCLUSIONS

- Any representations, warranties or conditions relating to your handheld vacuum, express or implied, statutory or otherwise, including but not limited to warranty of merchantability or warranty of fitness for a particular purpose, are limited to the duration of this warranty.
- Your remedy for breach of this warranty is limited to the warranty service described above. Dyson Canada Limited will not be liable for any consequential damages or incidental damages you may incur in connection with your purchase and use of your handheld vacuum. This limitation is not allowed by some Provinces or Territories and so this limitation may not apply to you.
- This warranty gives you specific legal rights. You may also have other rights which vary by Province or Territory.
- This warranty is not transferable.
- This warranty is valid only in Canada.

SUMMARY OF COVER

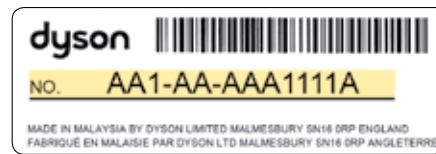
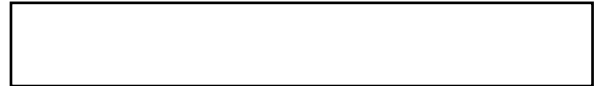
- The warranty becomes effective at the date of purchase (or the date of delivery if this is later).
- You must provide proof of delivery/purchase before any work can be carried out on your handheld vacuum. Without this proof, any work carried out will be chargeable. Please keep your receipt or delivery note.
- All work will be carried out by Dyson Canada Limited or its authorized agents.
- Any parts which are replaced will become the property of Dyson Canada Limited.
- The repair or replacement of your handheld vacuum under warranty will not extend the period of warranty.
- The warranty provides benefits which are additional to and do not affect your statutory rights as a consumer.

IMPORTANT DATA PROTECTION INFORMATION

Your details will be held by Dyson Canada Limited or others on behalf of Dyson Canada Limited so that we can assist you more quickly in our Dyson Helpline. From time to time, Dyson Canada Limited may send you special offers and news of our latest innovations. For more information about our data collection practices, please refer to the Dyson Canada Limited privacy policy at www.dyson.com

The serial number can be found on the main body of the appliance behind the filter.

Note your serial number for future reference.



This illustration is for example purposes only.

PRODUCT INFORMATION

Please note: Small details may vary from those shown.

UTILISATION DE VOTRE ASPIRATEUR PORTATIF DYSON

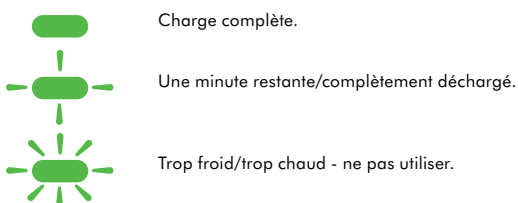
⚠ ATTENTION :

- Veiller à ne pas appuyer sur le bouton de retrait de la batterie pendant l'utilisation.
- Mettre l'aspirateur hors tension pour vérifier l'absence d'obstructions.

REMARQUE :

- Ne pas procéder à des opérations d'entretien ou de réparation autres que celles décrites dans ce guide d'utilisation ou conseillées par les préposés du service d'assistance téléphonique de Dyson.
- Cet aspirateur portatif Dyson est uniquement conçu pour un usage domestique intérieur et pour la voiture. Ne pas utiliser l'aspirateur lorsque la voiture est en mouvement ou lorsque vous conduisez.
- Ne pas appuyer sur l'embout de l'aspirateur avec une force excessive au risque de l'endommager.
- Si le moteur est en surchauffe, l'aspirateur s'arrête automatiquement. Le laisser refroidir pendant au moins une heure et vérifier qu'il n'y a pas d'obstructions avant de le redémarrer.
- Les fines particules de poussière comme le plâtre ou la farine ne doivent être aspirées qu'en très petites quantités.
- Vérifier les instructions du fabricant avant de passer l'aspirateur sur vos planchers, tapis et moquettes.
- Ne pas utiliser de lubrifiants, d'agents de nettoyage, de polis ni d'assainisseurs d'air sur toute partie de l'aspirateur ou du chargeur Dyson.
- Cet aspirateur Dyson est doté d'un protecteur thermique à réenclenchement automatique. Si un élément de cet appareil se bouche, ce dernier pourrait surchauffer et s'arrêter automatiquement. Si cela se produit, Mettre l'aspirateur HORS tension et le laisser refroidir avant de tenter de vérifier les filtres ou de détecter les obstructions. Éliminer l'obstruction avant de remettre l'aspirateur en marche.
- Ranger l'aspirateur Dyson à l'intérieur. Ne pas utiliser ou entreposer cet aspirateur dans un lieu où la température ambiante est inférieure à 4°C (39°F). S'assurer que l'aspirateur est à la température ambiante avant de le faire fonctionner.

DÉPANNAGE - ASPIRATEUR PORTATIF DYSON



VIDAGE DU COLLECTEUR TRANSPARENT

⚠ ATTENTION :

- Mettre l'aspirateur portatif Dyson hors tension et le débrancher du chargeur avant de vider le collecteur transparent.

REMARQUE :

- Vider le collecteur dès que le niveau MAX est atteint – ne pas le remplir à l'excès. Pour libérer la poussière, appuyer sur le bouton situé sur le côté du collecteur transparent tel qu'indiqué, voir page 5.
- Ne pas utiliser l'aspirateur portatif Dyson sans avoir remis le collecteur transparent en place.

NETTOYAGE DU COLLECTEUR TRANSPARENT

⚠ ATTENTION :

- S'assurer que le collecteur transparent est complètement sec avant de le remettre en place.

REMARQUE :

- Pour retirer le collecteur transparent, appuyer sur le bouton déclencheur situé sous l'aspirateur portatif Dyson tel qu'indiqué.
- Utiliser uniquement de l'eau froide pour nettoyer le collecteur transparent. Ne pas utiliser de détergents, produits lustrants ou désodorisants.
- Ne pas mettre le collecteur transparent dans un lave-vaisselle.
- Nettoyer l'enveloppe à l'aide d'un chiffon ou d'une brosse sèche pour enlever les peluches et la poussière.

NETTOYAGE DU FILTRE

⚠ ATTENTION :

- Mettre le chargeur hors tension et le débrancher avant de retirer le filtre.
- S'assurer que le filtre est complètement sec avant de le remettre en place dans l'aspirateur portatif Dyson.

REMARQUE :

- Cet aspirateur portatif Dyson est doté d'un filtre (voir les illustrations aux pages 6 et 7). Il est important de vérifier régulièrement le filtre et de le nettoyer au moins tous les mois, en respectant les instructions, pour préserver la performance de l'aspirateur. Laisser sécher complètement pendant 12 heures.
- Il se peut que le filtre nécessite un lavage plus fréquent en cas d'aspiration de fines particules de poussière.
- Ne pas utiliser de détergent pour nettoyer le filtre.
- Ne pas mettre le filtre dans le lave-vaisselle, la laveuse, la sècheuse, le four, le micro-ondes ou près d'une flamme.

VÉRIFICATION DE LA PRÉSENCE D'OBSTRUCTIONS

⚠ ATTENTION :

- Mettre l'aspirateur portatif Dyson hors tension et le débrancher du chargeur avant de vérifier la présence d'obstructions.
- Faire attention aux objets coupants en enlevant les obstructions.
- Remettre toutes les pièces de l'aspirateur portatif Dyson en place avant de l'utiliser à nouveau.

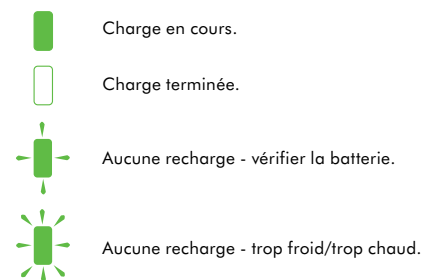
REMARQUE :

- L'élimination des obstructions n'est pas couverte par la garantie limitée de votre aspirateur portatif Dyson. Si une obstruction se forme dans une partie de l'aspirateur portatif, ce dernier peut surchauffer et s'arrêter automatiquement.
- Débrancher l'aspirateur portatif Dyson et le laisser refroidir. Retirer les obstructions avant de redémarrer l'aspirateur.

MISE SOUS CHARGE ET ENTREPOSAGE DE VOTRE ASPIRATEUR PORTATIF DYSON

Si la température de la batterie est inférieure à 3 °C (37,4 °F), l'aspirateur portatif Dyson s'arrête. Il s'agit d'une mesure de protection pour le moteur et la batterie. Une fois chargé, ne pas entreposer l'aspirateur à une température inférieure à 3 °C (37,4 °F).

DÉPANNAGE – MISE SOUS CHARGE ET BATTERIE



CONSIGNES DE SÉCURITÉ RELATIVES À LA BATTERIE

N'utiliser que les batteries et chargeurs Dyson destinés à cet aspirateur portatif. La batterie est une unité hermétique qui, dans des circonstances normales, ne pose aucun problème de sécurité. Dans l'éventualité peu probable d'une fuite, ne pas toucher le liquide et respecter les précautions suivantes :

- Contact avec la peau – peut causer des irritations. Nettoyer à l'eau et au savon.
- Inhalation – peut causer une irritation des voies respiratoires. Respirer de l'air frais et consulter un médecin.
- Contact avec les yeux – peut causer des irritations. Rincer immédiatement et abondamment les yeux pendant au moins 15 minutes. Consulter un médecin.
- Mise au rebut – utiliser des gants pour manipuler la batterie et la mettre immédiatement au rebut, conformément aux règlements et arrêtés locaux.

⚠ ATTENTION :

- La batterie utilisée dans cet aspirateur peut présenter un risque d'incendie ou de brûlure chimique si elle n'est pas manipulée correctement. Ne pas démonter, court-circuiter, chauffer à plus de 60 °C (140 °F) ou incinérer. La remplacer uniquement par une batterie Dyson; l'utilisation de toute autre batterie peut présenter un risque d'incendie ou d'explosion. Mettre immédiatement la batterie usagée au rebut. Conserver hors de portée des enfants. Ne pas démonter et ne pas jeter au feu.
- La batterie doit être retirée de l'aspirateur portatif Dyson avant sa mise au rebut.
- La batterie doit être mise au rebut en toute sécurité.
- L'aspirateur portatif doit être débranché de l'alimentation principale avant de retirer la batterie.
- La batterie peut être rechargée sur l'aspirateur ou après avoir été retirée de ce dernier. Retirer la batterie avec précaution.

ASSISTANCE À LA CLIENTÈLE DYSON

MERCI D'AVOIR CHOISI D'ACHETER UN ASPIRATEUR DYSON.

Si vous avez des questions sur votre aspirateur Dyson, communiquez avec le service d'assistance téléphonique de Dyson en composant le 1-877-397-6622. Ayez en main votre numéro de série et les détails relatifs à l'achat de l'appareil ou communiquez avec nous par l'entremise du site Web de Dyson. Le numéro de série se trouve sur le corps principal de l'aspirateur, derrière le filtre. La plupart des problèmes peuvent être réglés au téléphone ou par courriel avec l'aide d'un de nos représentants au service d'assistance téléphonique. Si votre aspirateur nécessite une réparation, composez le numéro de la ligne d'assistance téléphonique de Dyson. Nous vous présenterons les choix qui s'offrent à vous. Si l'aspirateur est sous garantie et que la réparation est couverte par cette dernière, votre aspirateur sera réparé sans frais.

SERVICE D'ASSISTANCE TÉLÉPHONIQUE DE DYSON

Service d'assistance téléphonique de Dyson : Par téléphone, en composant le numéro sans frais 1-877-397-6622, disponible six jours par semaine.

VEUILLEZ VOUS ENREGISTRER EN TANT QUE PROPRIÉTAIRE D'UN ASPIRATEUR DYSON

Merci d'avoir choisi d'acheter un aspirateur Dyson. Afin de nous aider à vous offrir un service rapide et efficace, veuillez prendre le temps d'enregistrer votre achat auprès de nous. Vous pouvez le faire de trois façons :

- en ligne à l'adresse www.dyson.com;
- en composant le numéro du service d'assistance à la clientèle de Dyson : 1-877-397-6622 (sans frais);
- en remplissant le formulaire de garantie ci-joint et en nous le renvoyant par voie postale.

Ceci vous permet de confirmer que vous êtes le propriétaire de votre aspirateur en cas de sinistre et nous permet de communiquer avec vous au besoin.

GARANTIE LIMITÉE DE 2 ANS

CONDITIONS DE LA GARANTIE LIMITÉE DYSON DE 2 ANS.

CE QUI EST COUVERT

Votre aspirateur Dyson est garanti contre tout défaut de matériel et de main-d'œuvre pendant une période de deux ans à compter de la date d'achat, en usage domestique normal, conformément au guide d'utilisation. Cette garantie vous offre, sans frais, les pièces et la main-d'œuvre nécessaires au bon fonctionnement de l'aspirateur durant la période de garantie. La garantie est soumise aux conditions suivantes :

CE QUI N'EST PAS COUVERT

Dyson Canada Limited ne saurait être tenue responsable des frais découlant :

- d'un aspirateur acheté auprès d'un détaillant non autorisé;
- de l'élimination des obstructions dans votre aspirateur;
- de l'utilisation de pièces non recommandées par le guide d'utilisation;
- d'une utilisation ou manipulation négligente, d'une mauvaise utilisation, d'un manque d'entretien ou d'un emploi non conforme au guide d'utilisation;
- de facteurs externes, comme les intempéries;
- de réparations ou modifications effectuées par des parties ou représentants non autorisés;
- d'une utilisation de l'aspirateur à des fins autres qu'un usage domestique normal, c'est-à-dire à des fins commerciales ou de location;
- d'une utilisation de pièces et d'accessoires autres que ceux fournis ou recommandés par Dyson Canada Limited;
- de l'usure normale, y compris l'usure normale des pièces telles que le collecteur transparent, le filtre, la brosse, le cordon d'alimentation, ainsi qu'un temps de décharge plus court en raison de l'âge de la batterie ou de son utilisation (ou si l'on constate des dommages externes ou une mauvaise utilisation);
- d'une utilisation de pièces et d'accessoires autres que ceux fournis ou recommandés par Dyson Canada Limited.

RÉPARATIONS SOUS GARANTIE

- Veuillez remplir et retourner le formulaire de garantie ou enregistrer votre produit en ligne à l'adresse www.dyson.com
- Les conditions de la garantie stipulent que vous devez, avant que soit faite la réparation, composer le numéro du service d'assistance téléphonique de Dyson en ayant en main le nom ou le numéro de modèle de votre appareil, le numéro de série, la date et l'endroit où vous avez effectué l'achat. Veuillez conserver le coupon de caisse dans un endroit sûr afin de ne pas perdre ces renseignements. Le numéro de série figure sur la plaque signalétique apposée sur le corps principal de l'aspirateur, derrière le filtre.
- Toutes les réparations seront effectuées par Dyson Canada Limited ou un de ses représentants autorisés.
- Toute pièce défectueuse remplacée devient la propriété de Dyson Canada Limited.
- Les réparations effectuées sous garantie ne se prolongeront pas au-delà de la période de la présente garantie.
- Si votre aspirateur ne fonctionne pas correctement, communiquez avec le service d'assistance téléphonique de Dyson en composant le 1-877-397-6622. La plupart des problèmes peuvent être réglés au téléphone avec l'aide d'un membre du personnel qualifié du service d'assistance téléphonique de Dyson. Si ce n'est pas possible, Dyson Canada Limited prendra les mesures nécessaires pour que votre aspirateur soit réparé et retourné en parfait état de marche sans aucuns frais supplémentaires.
- Le remplacement de toute pièce défectueuse effectué sous garantie ne se prolongera pas au-delà de la période de la présente garantie.

RESTRICTIONS ET EXCLUSIONS DE GARANTIE

- Toute déclaration, garantie ou condition relative à votre aspirateur, implicite ou explicite, en vertu d'une loi ou de tout autre règlement, incluant, sans s'y limiter, la garantie de la qualité marchande ou de convenance à un usage particulier, est limitée à la durée de la présente garantie. Cette limitation n'est pas permise dans certaines provinces et pourrait ne pas s'appliquer à vous.
- Le recours dont vous disposez eu égard à la violation de la présente garantie est limité aux stipulations décrites ci-dessus. Dyson Canada Limited décline toute responsabilité pour tout dommage consécutif ou accessoire subi lié à l'achat de l'aspirateur ou de son utilisation. Cette limitation n'est pas permise dans certaines provinces et pourrait ne pas s'appliquer à vous.
- La présente garantie vous confère des droits légaux particuliers. Vous pouvez aussi avoir d'autres droits selon la province dans laquelle vous résidez.
- Cette garantie est incessible.
- La présente garantie est valide uniquement au Canada.

RÉSUMÉ DE LA GARANTIE

- La garantie entre en vigueur à la date d'achat (ou à la date de livraison, si cette dernière est ultérieure).
- Vous devez fournir une preuve d'achat ou de livraison pour toute réparation effectuée sur votre aspirateur. Sans présentation de cette preuve, toute réparation effectuée vous sera facturée. Veuillez conserver votre reçu ou bon de livraison.
- Toutes les réparations seront effectuées par Dyson Canada Limited ou un de ses représentants autorisés.
- Toute pièce défectueuse remplacée devient la propriété de Dyson Canada Limited.
- La réparation ou le remplacement de votre aspirateur pendant la période de garantie n'allonge pas la période de ladite garantie.
- La présente garantie offre des avantages supplémentaires et n'a aucune incidence sur vos droits prévus par la loi à titre de consommateur.

RENSEIGNEMENTS IMPORTANTS SUR LA PROTECTION DES DONNÉES

Vos renseignements personnels seront conservés par Dyson Canada Limited ou d'autres sociétés au nom de Dyson Canada Limited afin que nous puissions vous aider plus rapidement dans le cadre de notre service d'assistance téléphonique. De temps à autre, Dyson Canada Limited peut vous envoyer des offres spéciales et des nouvelles au sujet de ses plus récentes innovations. Pour obtenir plus d'information sur nos pratiques relatives à la collecte de données, veuillez consulter la politique de confidentialité de Dyson Canada Limited à l'adresse www.dyson.com

Le numéro de série se trouve sur le corps principal de l'appareil, derrière le collecteur transparent.

Veillez noter votre numéro de série pour pouvoir vous y référer ultérieurement.



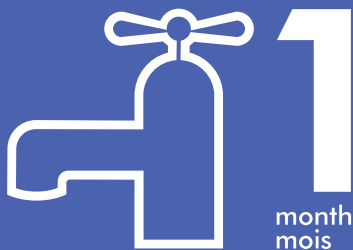
Cette illustration est présentée à titre d'exemple.

RENSEIGNEMENTS SUR LE PRODUIT

Remarque : Certains petits détails peuvent varier de ceux illustrés.

IMPORTANT!

WASH FILTER LAVER LE FILTRE



Wash filter with cold water at least every month.
Laver le filtre à l'eau froide au moins une fois par mois.



Dyson Customer Care
1-877-397-6622
Toll free, 6 days a week

Assistance à la clientèle Dyson
1-877-397-6622
Sans frais, 6 jours par semaine

Monday – Friday 8am – 7pm (EST)
Saturday 9am – 5pm (EST)
Closed Sundays and civic holidays

Du lundi au vendredi – de 8 h à 19 h (HNE)
Le samedi – de 9 h à 17 h (HNE)
Fermé les dimanches et pendant les congés officiels

Please take a few moments to answer our questions.
They will help us develop new products for the future.

Veuillez prendre quelques instants pour répondre à nos questions.
Vos réponses nous aideront à mettre au point de nouveaux produits.

1. The machine you most recently registered on the Dyson website was:
 - Your first Dyson purchase
 - A further Dyson purchase – you have previously owned other Dyson machines

2. Have you ever recommended Dyson to other people?
 - Yes, at least once
 - Never

3. Do you have any cats or dogs in your home?
 - Yes
 - No

4. The floors in your home are:
 - Mostly carpeted
 - Mostly hard floors

5. Do you have air conditioning in your home?
 - Yes
 - No

6. Would you like to hear about future asthma and allergy related initiatives or product development at Dyson?
 - Yes
 - No

1. Le produit que vous avez dernièrement enregistré sur le site Web de Dyson, s'agit-il :
 - Du premier produit Dyson que vous avez acheté
 - D'un autre produit Dyson que vous avez acheté – vous avez possédé antérieurement d'autres aspirateurs Dyson

2. Avez-vous recommandé des produits Dyson à d'autres personnes?
 - Oui, au moins une fois
 - Jamais

3. Avez-vous des chats ou des chiens dans votre foyer?
 - Oui
 - Non

4. Les planchers dans votre foyer sont :
 - Essentiellement recouverts de tapis
 - Essentiellement des planchers durs

5. Votre foyer est-il climatisé?
 - Oui
 - Non

6. Désirez-vous obtenir de l'information au sujet des initiatives en matière d'asthme et d'allergies ainsi que du développement de produits chez Dyson?
 - Oui
 - Non



Date of purchase | Date d'achat

Place of purchase | Lieu d'achat

Serial number | Numéro de série

Title | Titre

Surname | Nom

First name | Prénom

Address | Adresse

Postal Code | Code postal

e-mail | Courriel

Telephone | Téléphone

From time to time, we'd like to tell you about new products and promotions. If you'd prefer us NOT to keep in touch, please tick this box.

De temps à autre, nous voudrions vous informer au sujet de nos promotions et nouveaux produits. Si vous préférez que l'on ne communique pas avec vous, veuillez cocher cette case.

You must provide proof of delivery/purchase before any work can be carried out on your handheld vacuum. Without this proof, any work carried out will be chargeable. Please keep your receipt or delivery note.

Vous devez fournir une preuve d'achat ou de livraison pour toute réparation effectuée sur votre aspirateur portatif. Sans présentation de cette preuve, toute réparation effectuée vous sera facturée. Veuillez conserver votre reçu ou bon de livraison.

3 EASY WAYS TO REGISTER | 3 FAÇONS DE S'ENREGISTRER FACILEMENT

ONLINE

Convenient and instant.
www.dyson.com



EN LIGNE

Pratique et instantané.
www.dyson.com

PHONE

Just call our Helpline on
1-877-397-6622. It's open
from 8am – 7pm Monday to
Friday and 9am – 5pm Saturday EST.



PAR TÉLÉPHONE

Il vous suffit d'appeler notre service
d'assistance téléphonique au
1-877-397-6622. Le service est
disponible de 8 h à 19 h, du lundi
au vendredi et de 9 h à 17 h le
samedi (HNE).

MAIL

Complete and return
the form in the
envelope supplied.



PAR COURRIER

Remplir le formulaire fourni et le
retourner dans l'enveloppe jointe à
cet effet.

