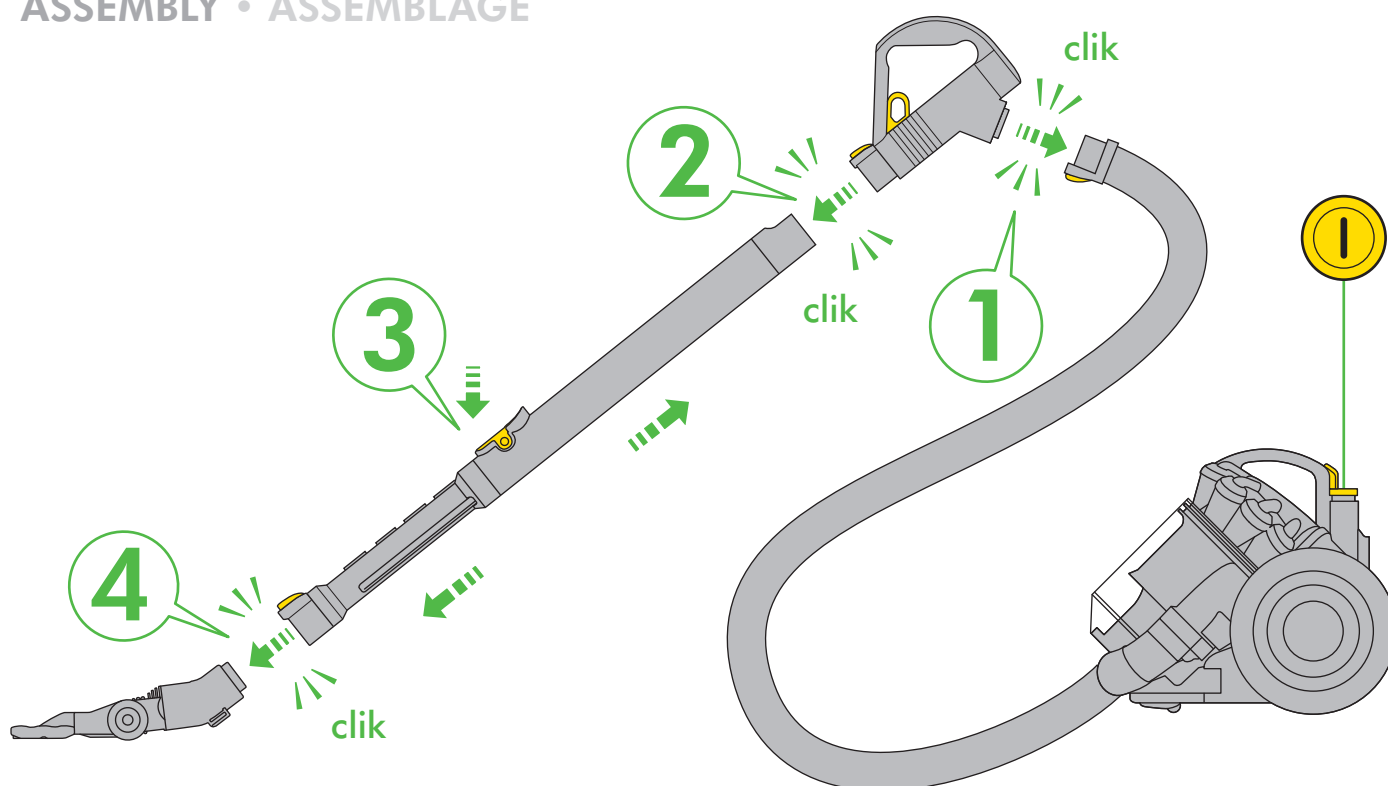


ASSEMBLY • ASSEMBLAGE



**WASH FILTERS**

Wash filters with cold water at least every month.

**LAVER LES FILTRES**

Laver les filtres à l'eau froide au moins une fois par mois.



**REGISTER TODAY**

3 easy ways to register your 5 year warranty

**ENREGISTREZ-VOUS  
DÈS AUJOURD'HUI**

3 moyens faciles d'enregistrer votre achat et bénéficier d'une garantie de 5 ans



# IMPORTANT SAFETY INSTRUCTIONS

READ ALL INSTRUCTIONS BEFORE USING THIS APPLIANCE

When using an electrical appliance, basic precautions should always be followed, including the following:

## WARNING

TO REDUCE THE RISK OF FIRE, ELECTRIC SHOCK, OR INJURY:

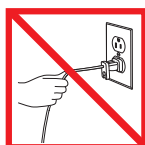
1. Do not leave the Dyson vacuum when plugged in. Unplug from outlet when not in use and before servicing.
2. Do not use outdoors or on wet surfaces. Suitable for dry locations only. Do not use to pick up water.
3. Do not allow to be used as a toy. Close attention is necessary when used by or near children. Children should be supervised to ensure that they do not play with the Dyson vacuum.
4. This Dyson vacuum is not intended for use by young children or infirm persons with reduced physical, sensory or reasoning capabilities, or lack of experience and knowledge, unless they have been given supervision or instruction by a responsible person concerning use of the Dyson vacuum to ensure that they can use the Dyson vacuum safely.
5. Use only as described in this manual. Use only Dyson recommended accessories and replacement parts. Do not carry out any maintenance other than that shown in this manual, or advised by the Dyson Customer Care Helpline. Contact the Dyson Customer Care Helpline when service or repair is required. Do not disassemble the Dyson vacuum as incorrect reassembly may result in an electric shock or fire.
6. Do not use with a damaged cord or plug. If the Dyson vacuum is not working as it should, has been dropped, damaged, left outdoors, or dropped into water, do not use and contact the Dyson Customer Care Helpline. If the supply cord is damaged it must be replaced by Dyson, its service agent or similarly qualified person in order to avoid a hazard.
7. Do not pull or carry by cord, use cord as a handle, close a door on cord, or pull cord around sharp edges or corners. Do not run the Dyson vacuum over cord. Keep cord away from heated surfaces. To avoid a tripping hazard rewind the cord when not in use.
8. Always extend the cord to the red line but do not stretch or tug the cord.
9. Do not unplug by pulling on the cord. To unplug, grasp the plug, not the cord.
10. Do not handle the plug or Dyson vacuum with wet hands.
11. Do not put any object into openings. Do not use with any opening blocked; keep free of dust, lint, hair, and anything that may reduce airflow.
12. Keep hair, loose clothing, fingers, and all parts of body away from openings and moving parts, such as the brush bar. Do not point the hose, wand or tools at your eyes or ears or put them in your mouth.
13. Turn off all controls before unplugging.
14. Use extra care when cleaning on stairs. Do not work with the Dyson vacuum above you on the stairs.
15. Do not use to pick up flammable or combustible liquids, such as gasoline, or use in areas where they or their vapours may be present.
16. Do not pick up anything that is burning or smoking, such as cigarettes, matches, or hot ashes.
17. Do not use without the clear bin and filter in place.
18. Hold the plug when rewinding onto cord reel. Do not allow the plug to whip when rewinding.
19. The use of an extension cord is not recommended.

## READ AND SAVE THESE INSTRUCTIONS

THIS DYSON VACUUM IS INTENDED FOR HOUSEHOLD USE ONLY

## POLARIZATION INSTRUCTIONS

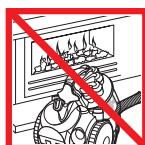
To reduce the risk of electric shock, this appliance has a polarized plug (one blade is wider than the other). This plug will fit in a polarized outlet only one way. If the plug does not fit fully in the outlet, reverse the plug. If it still does not fit, contact a qualified electrician to install the proper outlet. Do not change the plug in any way.



Do not pull on the cord.



Do not store near heat sources.



Do not use near open flame.



Do not run over the cord.



Do not pick up water or liquids.



Do not pick up burning objects.



Do not use above you on the stairs.

# CONSIGNES DE SÉCURITÉ IMPORTANTES

AVANT D'UTILISER CET APPAREIL, LIRE ATTENTIVEMENT TOUTES LES INSTRUCTIONS

Lorsque vous utilisez un appareil électrique, vous devez toujours suivre les précautions de base suivantes :

## AVERTISSEMENT

AFIN DE RÉDUIRE LES RISQUES D'INCENDIE, DE DÉCHARGE ÉLECTRIQUE OU DE BLESSURE :

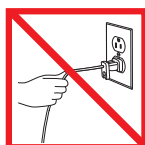
1. Ne pas laisser l'aspirateur Dyson sans surveillance lorsqu'il est branché. Débrancher l'aspirateur s'il n'est pas utilisé ou avant d'effectuer des réparations.
2. Ne pas utiliser à l'extérieur ou sur des surfaces mouillées. L'aspirateur Dyson doit être utilisé dans les endroits secs seulement. Ne pas aspirer d'eau.
3. Cet appareil n'est pas un jouet. Faire très attention lorsqu'on l'utilise près d'enfants ou si ceux-ci s'en servent. Il faut veiller à ce que les enfants ne jouent pas avec l'aspirateur Dyson.
4. Cet aspirateur ne doit pas être utilisé par de jeunes enfants ni des personnes dont les capacités physiques, sensorielles ou de raisonnement sont réduites, ou qui manquent d'expérience ou de connaissances, à moins qu'une personne responsable ne les supervise ou leur indique comment utiliser l'aspirateur Dyson de façon sécuritaire.
5. Utiliser cet aspirateur seulement de la façon décrite dans le présent guide. Utiliser seulement les accessoires et les pièces de rechange recommandés par Dyson. Ne pas effectuer d'entretien autre que ceux indiqués dans ce guide ou recommandés par le service d'assistance téléphonique de Dyson. Communiquer avec le service d'assistance téléphonique de Dyson en cas de réparation. Ne pas désassembler l'aspirateur Dyson, étant donné qu'un réassemblage inapproprié pourrait causer une décharge électrique ou un incendie.
6. Ne pas utiliser l'aspirateur si la fiche ou le cordon est endommagé. Si l'aspirateur Dyson fonctionne mal, s'il a été échappé, endommagé, laissé à l'extérieur ou plongé dans l'eau, ne pas l'utiliser et communiquer avec le service d'assistance téléphonique de Dyson. Si le cordon d'alimentation est endommagé, il faut en confier le remplacement à Dyson, un de ses techniciens d'entretien ou à toute personne ayant les qualifications requises.
7. Ne pas tirer pas sur le cordon, l'utiliser pour transporter l'aspirateur, s'en servir comme d'une poignée, le coincer dans une porte ni le tirer sur des bords et des angles aigus. Ne pas passer l'aspirateur sur le cordon. Éloigner le cordon des surfaces chaudes. Pour éviter les chutes, enrouler le cordon lorsque l'aspirateur n'est pas utilisé.
8. Toujours sortir le cordon jusqu'au trait rouge sans le tirer ou l'étirer.
9. Ne pas débrancher l'aspirateur en tirant sur le cordon. Pour le débrancher, saisir la fiche et non le cordon.
10. Ne pas manipuler la fiche ou l'aspirateur Dyson en ayant les mains mouillées.
11. Ne placer aucun objet dans les ouvertures. Ne pas l'utiliser si une ouverture est obstruée; enlever la poussière, les peluches, les cheveux et tout ce qui pourrait réduire la circulation de l'air.
12. Éloigner les cheveux, les vêtements amples, les doigts et toute partie du corps des ouvertures et des pièces mobiles, comme la brosse. Ne pas pointer le tuyau souple, le tube-rallonge ou les accessoires vers les yeux ou oreilles et ne pas les mettre dans la bouche.
13. Fermer toutes les commandes avant de débrancher l'aspirateur.
14. Faire très attention durant le nettoyage d'un escalier. Ne pas placer l'aspirateur Dyson sur une marche d'escalier située plus haute que vous.
15. Ne pas l'utiliser pour aspirer des liquides inflammables ou combustibles, comme de l'essence, ni l'employer dans des zones où ces liquides ou des vapeurs émanant de ces derniers peuvent être présents.
16. Ne pas aspirer d'objet qui brûle ou qui fume, comme des cigarettes, des allumettes ou de la cendre.
17. Ne pas l'utiliser lorsque le collecteur transparent et le filtre ne sont pas en place.
18. Tenir la fiche durant l'enroulement du cordon. Ne pas laisser la fiche effectuer un mouvement de fouet durant l'enroulement.
19. Nous déconseillons l'utilisation d'une rallonge électrique.

## LIRE ET CONSERVER CES INSTRUCTIONS

CET ASPIRATEUR DYSON EST CONÇU POUR UN USAGE DOMESTIQUE SEULEMENT

## INSTRUCTIONS DE POLARISATION

Afin de réduire les risques de décharge électrique, cet appareil a été muni d'une fiche polarisée (une broche est plus large que l'autre). Cette fiche peut être branchée à une prise polarisée d'une seule façon. Si elle n'entre pas entièrement dans la prise, l'inverser. Si cela ne fonctionne toujours pas, communiquer avec un électricien qualifié afin de faire installer une prise appropriée. Ne jamais modifier la fiche.



Ne pas tirer sur le cordon.



Ne pas utiliser à proximité de sources de chaleur.



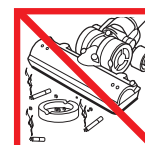
Ne pas utiliser à proximité d'une flamme nue.



Ne pas écraser le cordon.



Ne pas aspirer d'eau ni des liquides.

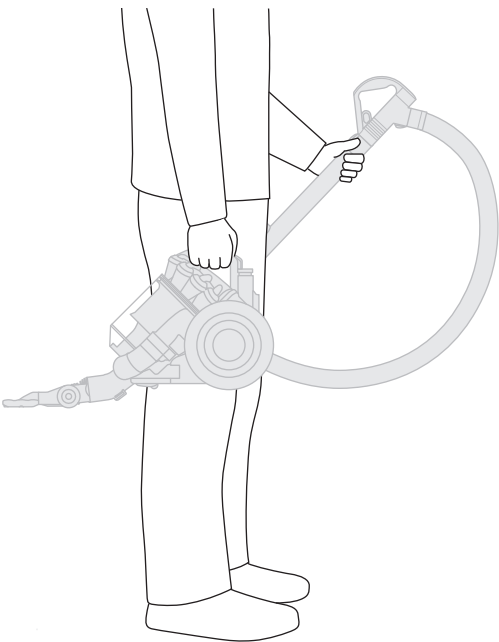
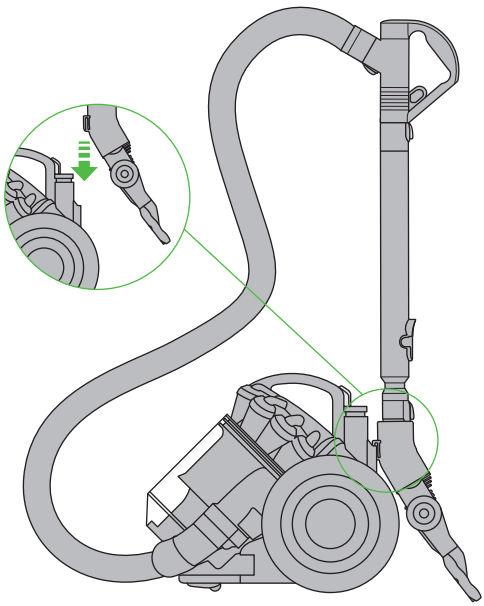


Ne pas aspirer des objets qui brûlent.

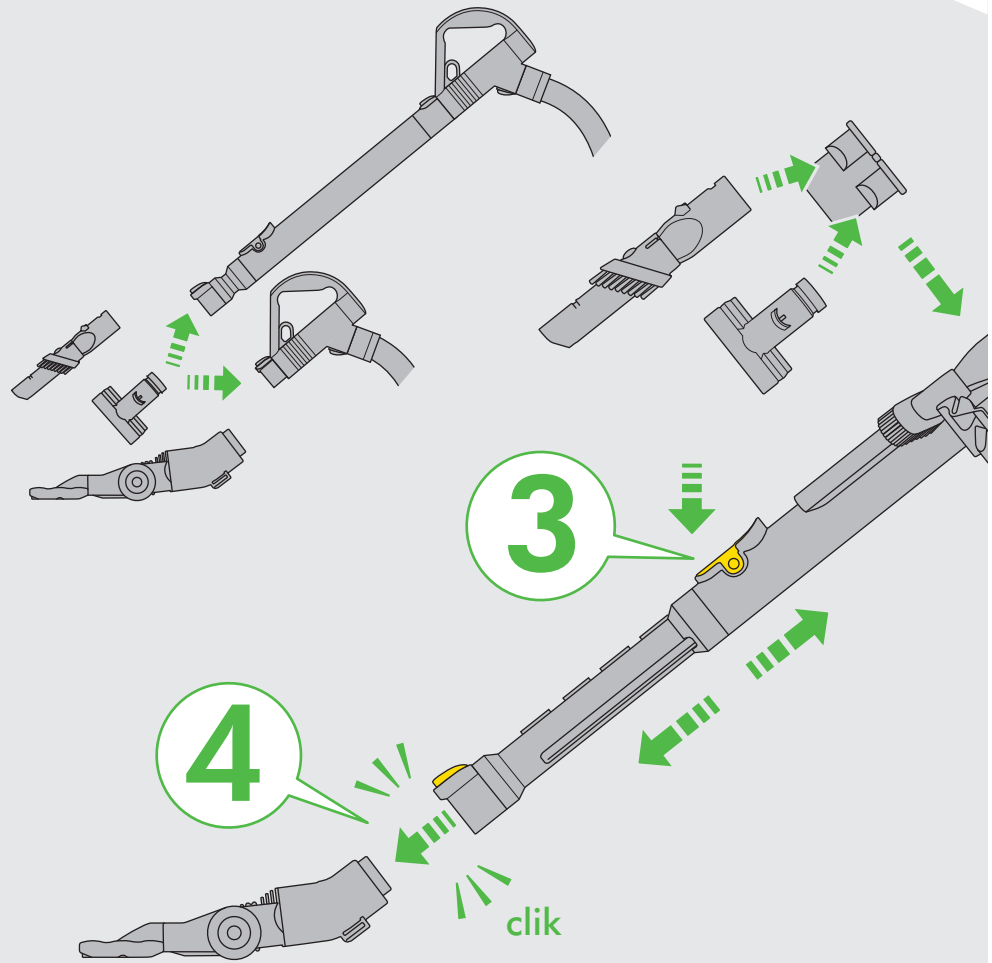
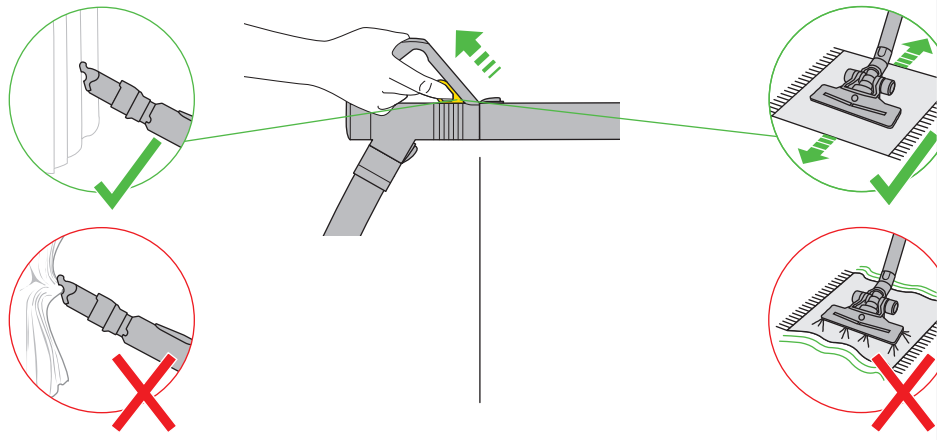


Ne pas passer l'aspirateur sur une marche d'escalier située plus haute que vous.

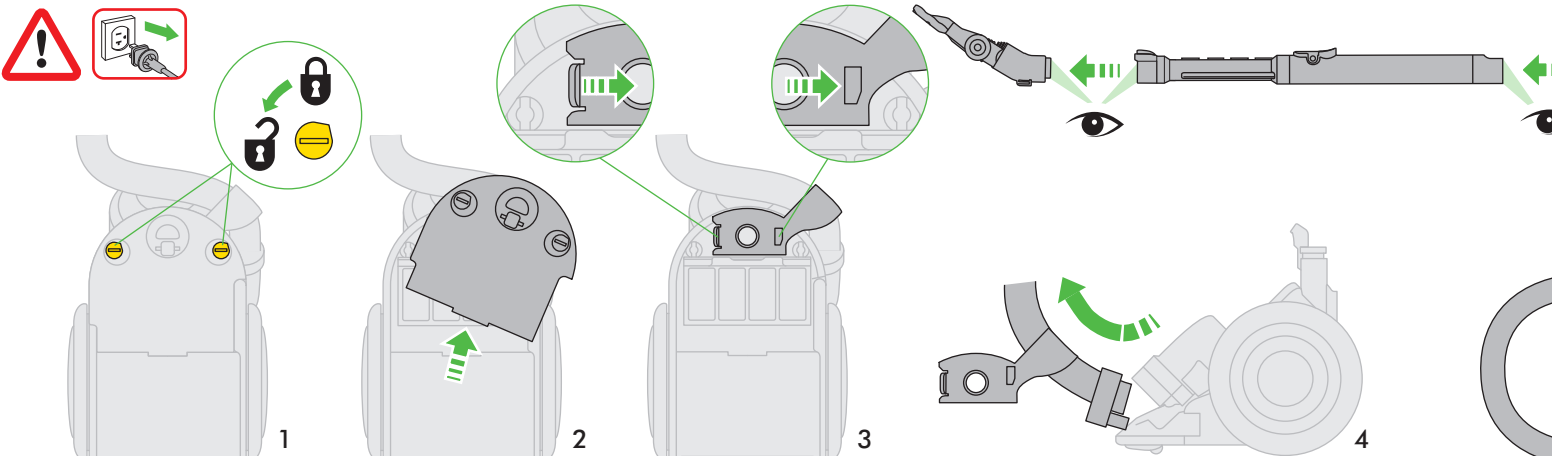
Storage • Rangement



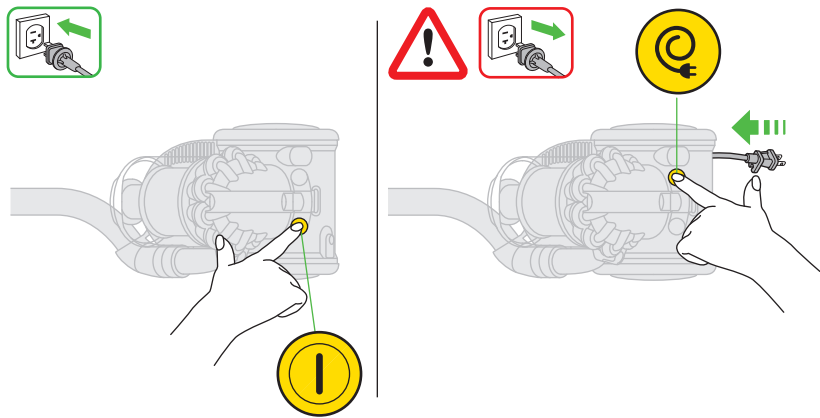
Suction release • Déclenchement de la puissance d'aspiration



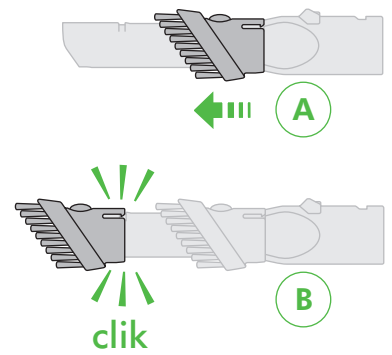
Blockages • Obstructions



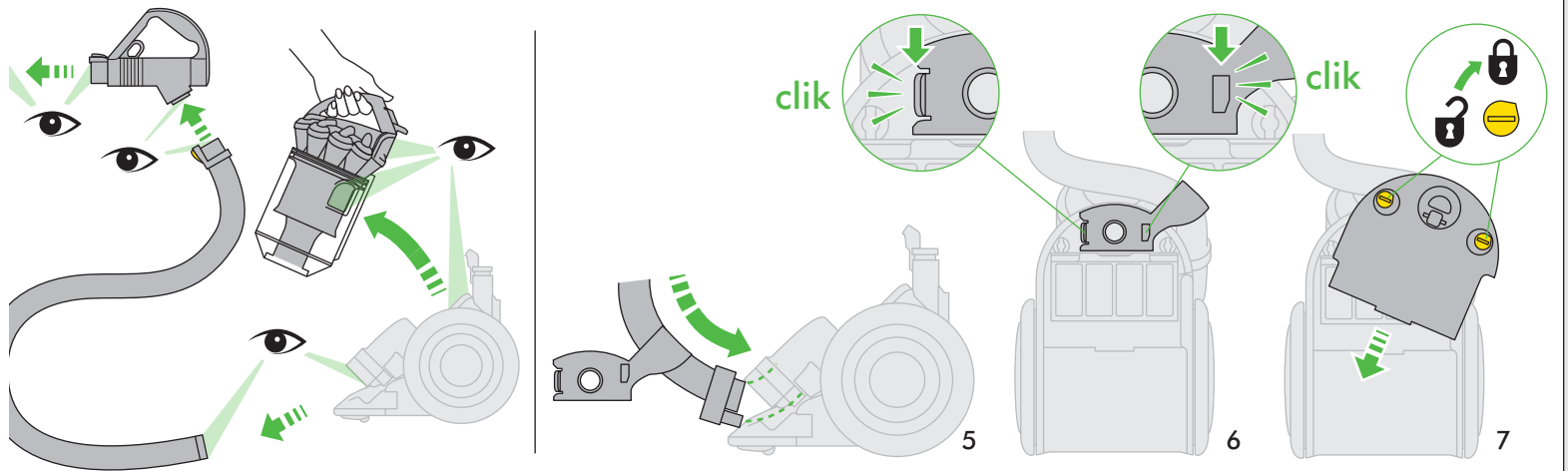
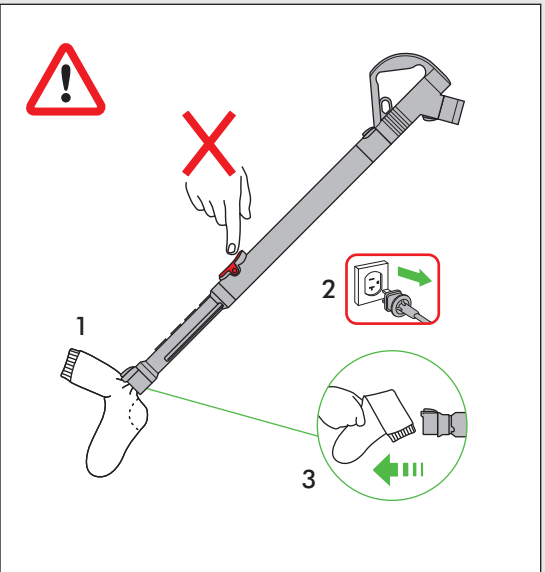
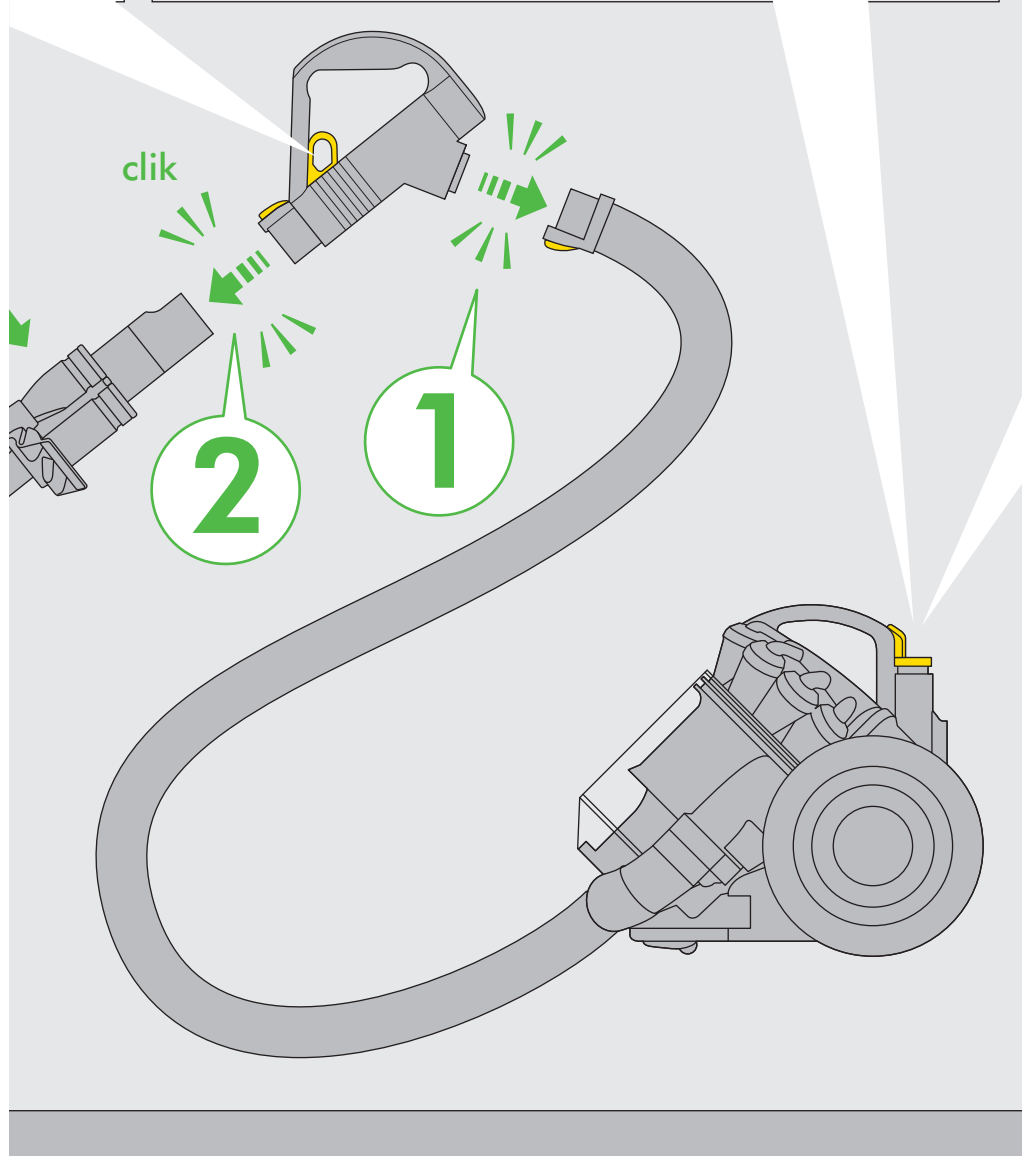
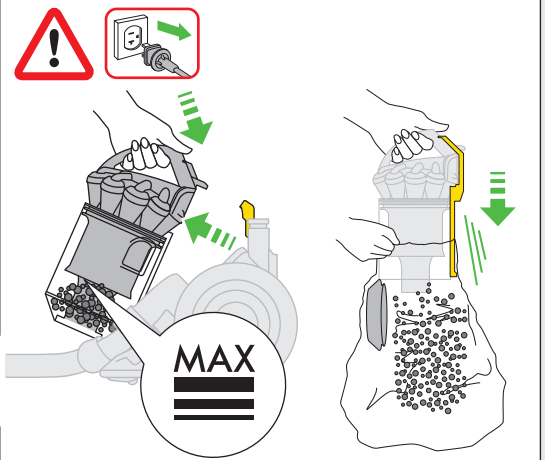
Power & Cable • Cordon d'alimentation

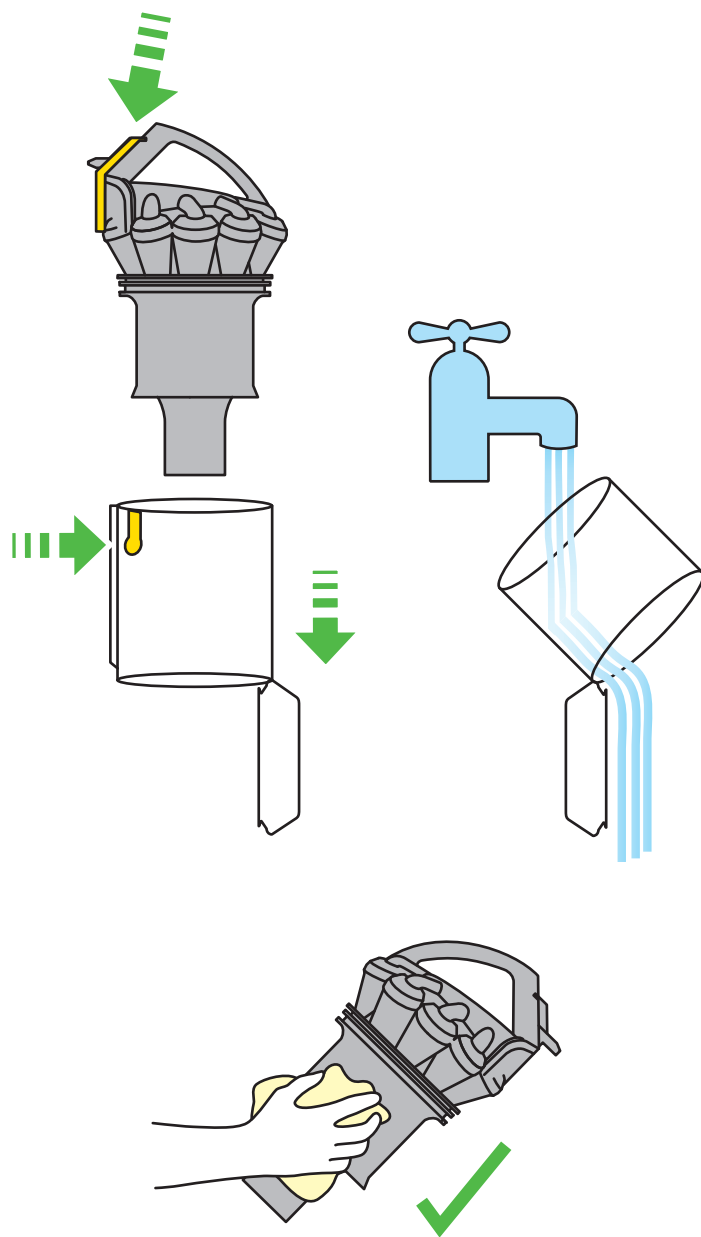


Tools • Accessoires

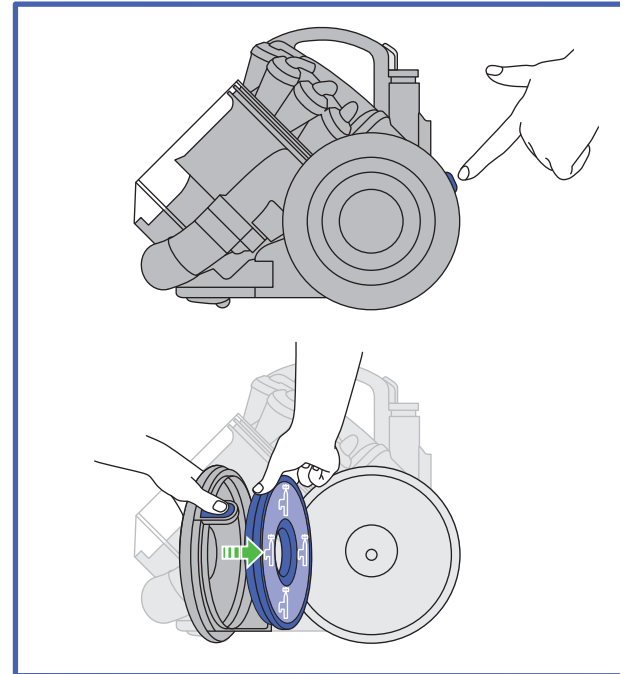


Emptying • Vidage

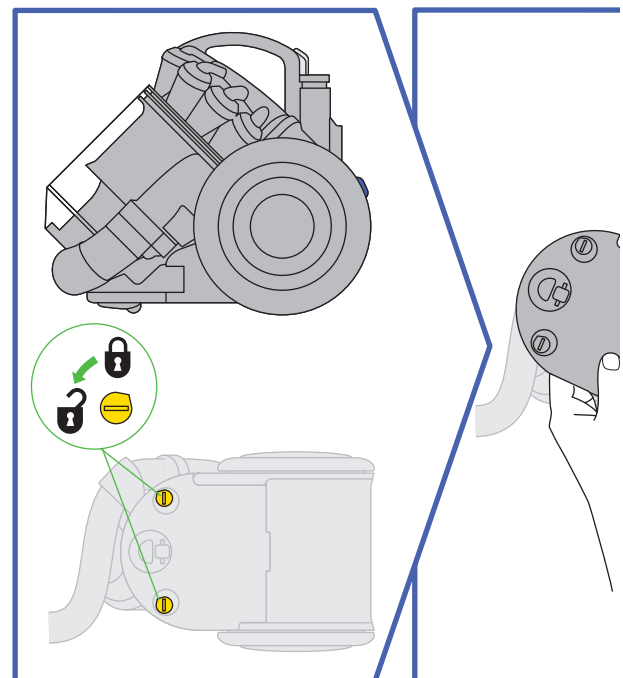




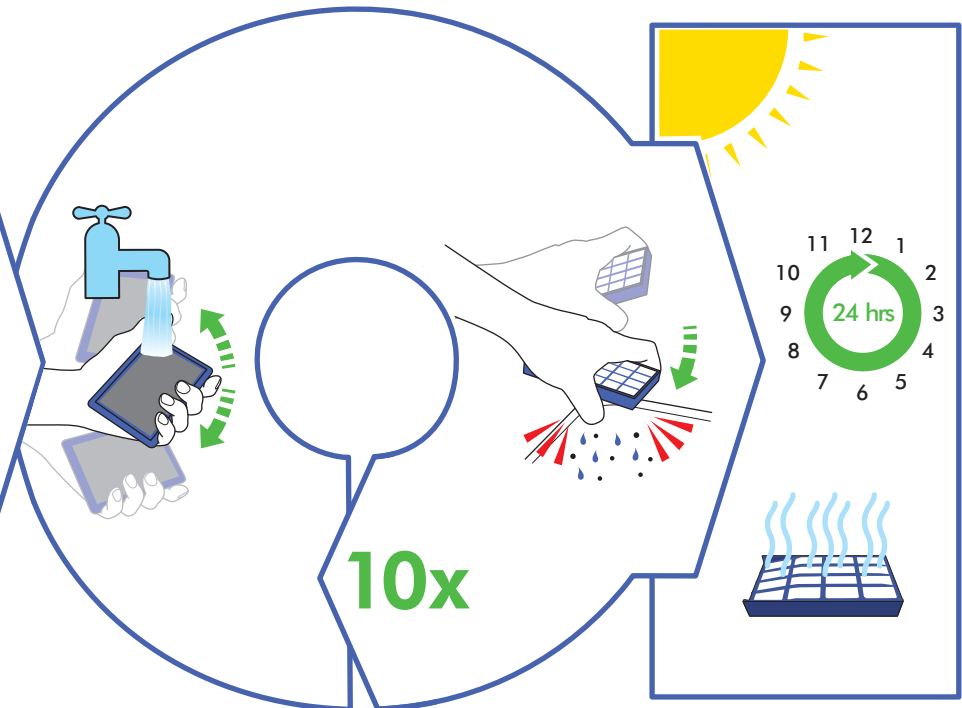
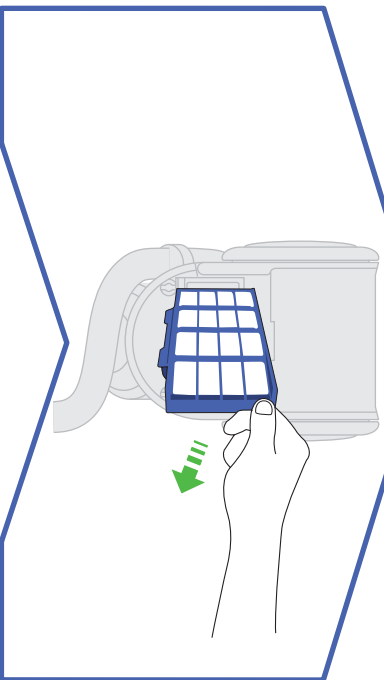
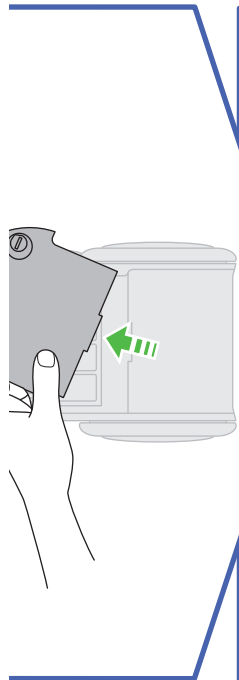
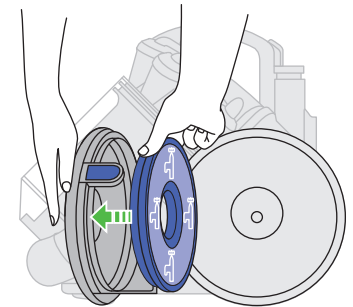
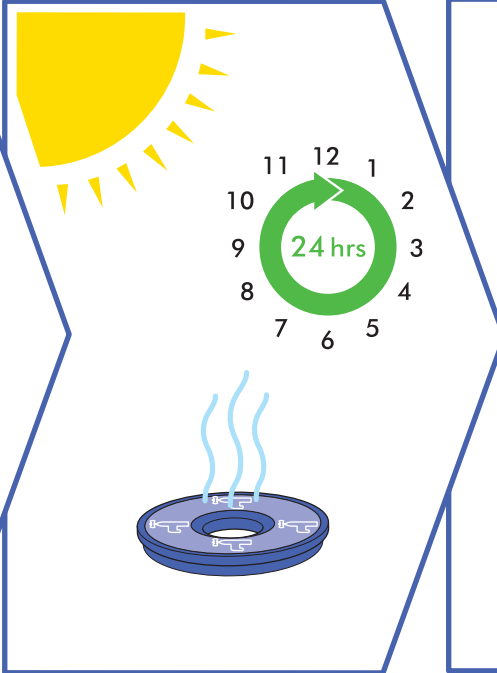
  **Filter • Filtre** **A**



  **Filter • Filtre** **B**



Wash filters with cold water at least every month.  
Laver les filtres à l'eau froide au moins une fois par mois.



Rinse and shake filters under tap. Turn over and tap very firmly to remove microscopic particles. Repeat 10x until water runs clear.

Rincer les filtres sous le robinet en les secouant. Les retourner et taper fermement pour retirer les accumulations de particules microscopiques. Répéter 10 fois la procédure jusqu'à ce que l'eau soit claire.

## USING YOUR DYSON VACUUM CLEANER

### PLEASE NOTE:

- Always extend the cable fully to the red line before use.
- Do not use or store this machine below 32°F (0°C). Ensure that the machine is at room temperature before operating.
- Fine dust such as plaster dust or flour should only be vacuumed in very small amounts.
- Consult your flooring manufacturer's recommended instructions before vacuuming and caring for your flooring, rugs and carpets.
- Do not use this vacuum cleaner outdoors. The Dyson Car Cleaning Kit (Model 08909) is intended for use only inside a garage.
- If used in a garage, care should be taken to wipe the soleplate and wheels with a dry cloth after vacuuming to clean off any sand, dirt, or pebbles which could damage delicate floors.
- When vacuuming, certain carpets may generate small static charges in the clear bin. These are entirely harmless and not associated with the electricity supply. To minimize any effect from this, do not put your hand or insert any object into the clear bin unless you have emptied it and rinsed it out with cold water.
- Do not use the vacuum cleaner to pick up sharp objects, small toys, pins, paper clips etc., because they may damage the vacuum cleaner.
- Only use parts recommended by Dyson; failure to do so could invalidate your warranty. Do not use any lubricants, cleaning agents, polishes or air fresheners on any part of the appliance.

## EMPTYING THE CLEAR BIN

### ⚠ CAUTION:

- Switch 'OFF' and unplug the vacuum cleaner before emptying the clear bin.

### PLEASE NOTE:

- Do not use the vacuum cleaner without the clear bin in place.
- To minimize dust/allergen contact when emptying, encase the clear bin tightly in a plastic bag and empty. Remove the clear bin carefully and seal bag tightly, dispose as normal.
- Empty as soon as the dirt reaches the level of the MAX mark – do not overfill.
- To remove the clear bin from the vacuum cleaner press the button at rear of carrying handle. To release the dirt, press the button on the front of the clear bin.

## CLEANING THE CLEAR BIN

### ⚠ CAUTION:

- Do not immerse the cyclone in water or pour water into the cyclones.
- Ensure the clear bin is completely dry before refitting.

### PLEASE NOTE:

- Do not use detergents, polishes or air fresheners to clean the clear bin.
- Do not put clear bin in a dishwasher.
- Clean the shroud with a cloth or dry brush to remove lint and dirt.

## WASHING YOUR FILTERS

Do this at least every month

### ⚠ CAUTION:

- Switch 'OFF' and unplug vacuum cleaner before removing the filters.
- Ensure filters are completely dry before refitting to vacuum cleaner.

### PLEASE NOTE:

- This machine has two filters, located as shown. It is important to check your filters regularly and wash at least every month according to instructions, to maintain performance. Filter B should be rinsed and tapped out until the water runs clean, then tapped out again to ensure all excess water is removed. This will normally require up to 10 rinse cycles.
- Please leave to dry completely for 24 hours.
- The filters may require more frequent washing if vacuuming fine dust.
- Do not use detergents to clean the filters.
- Do not put the filters in a dishwasher, washing machine, tumble dryer, oven, microwave or near an open flame.

## LOOKING FOR BLOCKAGES

### ⚠ CAUTION:

- Switch 'OFF' and unplug the vacuum cleaner before checking for blockages. Failure to do so could result in electric shock or personal injury.
- Beware of sharp objects when clearing blockages.
- Refit all parts of the vacuum cleaner securely before using.

### PLEASE NOTE:

- Clearing blockages is not covered by your vacuum cleaner's limited warranty. If any part of your vacuum cleaner becomes blocked, it may overheat and then automatically shut off. Unplug the vacuum cleaner and leave to cool down. Clear blockage before restarting.
- Large items may block the tools or wand inlet, if this happens switch the vacuum cleaner off and unplug the vacuum cleaner before removing the blockage. Do not operate the wand release catch.

## DISPOSAL INFORMATION

Dyson products are made from high grade recyclable materials and so should not be treated as household waste. To protect the environment please dispose of this product responsibly and recycle where possible.

## DYSON CUSTOMER CARE

### THANK YOU FOR CHOOSING TO BUY A DYSON VACUUM CLEANER

If you have a question about your Dyson vacuum cleaner, please call the Dyson Helpline: 1-877-397-6622 with your serial number and details of where/when you bought the vacuum cleaner, or contact us via the Dyson website. The serial number can be found on the main body of the vacuum behind the clear bin. Most questions can be solved over the phone or by email with one of our Dyson Helpline staff. If your vacuum cleaner needs service, call the Dyson Helpline so we can discuss the available options. If your vacuum cleaner is under warranty, and the repair is covered, it will be repaired at no cost.

## DYSON HELPLINE

Dyson Helpline: 1-877-397-6622 toll free, 6 days a week

## PLEASE REGISTER AS A DYSON PRODUCT OWNER

To help us ensure you receive prompt and efficient service, please register as a Dyson product owner.

There are three ways to do this:

- online at [www.dyson.com](http://www.dyson.com)
  - by calling the Dyson Helpline: 1-877-397-6622 toll free.
  - by completing and returning the attached Warranty Form to us by mail.
- This will confirm ownership of your Dyson vacuum cleaner in the event of an insurance loss, and enable us to contact you if necessary.

## LIMITED 5 YEAR WARRANTY

Terms and conditions of the Dyson 5 year limited warranty.

## WHAT IS COVERED

Your Dyson vacuum cleaner is warranted against original defects in material and workmanship for a period of five years from the date of purchase, when used for private household purposes in accordance with the Operating Manual. This warranty provides, at no extra cost to you, all labour and parts to place your vacuum cleaner in proper operating condition during the warranty period. This warranty is subject to the following terms:

## WHAT IS NOT COVERED

Dyson Canada Limited shall not be liable for costs incurred as a result of:

- Vacuum cleaners purchased from an unauthorized dealer.
- Clearing blockages from your vacuum cleaner.
- Carpet damage due to use not in accordance with flooring manufacturer's instructions of failure to turn brush bar off when necessary.
- Use of parts not in accordance with the Operating Manual.
- Careless operation or handling, misuse and/or lack of maintenance or use not in accordance with the Operating Manual.
- External sources such as weather.
- Repairs or alterations carried out by unauthorized parties or agents.
- Use of the vacuum cleaner other than for normal domestic purposes within the country of purchase, e.g. for commercial or rental purposes.
- Use of parts and accessories other than those produced or recommended by Dyson Canada Limited.
- Normal wear and tear, including normal wearing parts such as belt, filter, brush bar, hose assembly, and power cord (or where external damage or abuse is diagnosed).

## WARRANTY SERVICE

- Please fill out and return the Warranty Form, or register online at: [www.dyson.com](http://www.dyson.com)
- Before service can take place, the terms of the warranty require that you contact the Dyson Helpline with your model name/number, serial number, date and place of purchase. Please keep your purchase receipt in a safe place to ensure you have this information. The serial number is found on the vacuum's rating plate, which is on the main body of the vacuum cleaner behind the clear bin.
- All work will be carried out by Dyson Canada Limited or their authorized agents.
- Any replaced defective parts will become property of Dyson Canada Limited.
- Service under this warranty will not extend the period of this warranty.
- If your vacuum cleaner is not functioning properly, please call the Dyson Helpline on 1-877-397-6622. Most issues can be rectified over the telephone by our trained Dyson Helpline staff. If this is not possible, Dyson Canada Limited will arrange for your vacuum cleaner to be repaired and returned in full working order at no extra cost to you.
- Any replaced defective parts will not extend the period of this warranty.

## WARRANTY LIMITATIONS AND EXCLUSIONS

- Any representations, warranties or conditions relating to your vacuum cleaner, express or implied, statutory or otherwise, including but not limited to warranty of merchantability or warranty of fitness for a particular purpose, are limited to the duration of this warranty. This limitation is not allowed by some Provinces or Territories and so this limitation may not apply to you.
- Your remedy for breach of this warranty is limited to the warranty service described above. Dyson Canada Limited will not be liable for any consequential damages or incidental damages you may incur in connection with your purchase and use of your vacuum cleaner. This limitation is not allowed by some States or Provinces and so this limitation may not apply to you.
- This warranty gives you specific legal rights. You may also have other rights which vary by Province or Territory.
- This warranty is not transferable.
- This warranty is only available in Canada.

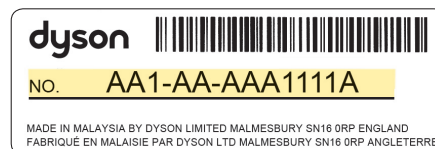
## SUMMARY OF COVER

- The warranty becomes effective at the date of purchase (or the date of delivery if this is later).
- You must provide proof of delivery/purchase before any work can be carried out on your vacuum cleaner. Without this proof, any work carried out will be chargeable.
- Please keep your receipt or delivery note.
- All work will be carried out by Dyson Canada Limited or its authorized agents.
- Any parts which are replaced will become the property of Dyson Canada Limited.
- The repair or replacement of your vacuum cleaner under warranty will not extend the period of warranty.
- The warranty provides benefits which are additional to and do not affect your statutory rights as a consumer.

## IMPORTANT DATA PROTECTION INFORMATION

Your details will be held by Dyson Canada Limited or others on behalf of Dyson Canada Limited so that we can assist you more quickly in our Dyson Helpline. From time to time, Dyson Canada Limited may send you special offers and news of our latest innovations. For more information about our data collection practices, please refer to the Dyson Canada Limited privacy policy at [www.dyson.com](http://www.dyson.com)

Note your serial number for future reference



This illustration is for example purposes only.

## PRODUCT INFORMATION

Please note: Small details may vary from those shown.



## UTILISATION DE L'ASPIRATEUR DYSON

### REMARQUE :

- Toujours faire sortir le cordon d'alimentation jusqu'à la marque rouge avant d'utiliser l'aspirateur.
- Ne pas utiliser cet aspirateur ni l'entreposer dans un lieu où la température ambiante est inférieure à 0 °C (32 °F). S'assurer que l'aspirateur est à la température ambiante avant de le faire fonctionner.
- Les poussières fines telles que le fabricant ou la farine ne devraient être aspirées qu'en petites quantités.
- Consulter les instructions du fabricant avant de passer l'aspirateur sur un plancher, un tapis ou une moquette.
- Ne pas utiliser l'aspirateur à l'extérieur. La trousse de nettoyage pour la voiture (modèle Dyson 08909) est conçue exclusivement pour un usage dans un garage.
- En cas d'utilisation dans un garage, veiller à bien nettoyer la semelle et les roues de l'aspirateur à l'aide d'un linge sec après l'utilisation pour enlever tout le sable, la saleté ou les cailloux qui pourraient endommager les revêtements de sol délicats.
- Durant le passage de l'aspirateur, certains tapis pourraient générer de petites charges électrostatiques dans le collecteur transparent. Ces charges sont totalement inoffensives et ne sont pas liées à l'alimentation électrique principale.
- Pour en réduire les effets, ne pas introduire les mains ou des objets dans le collecteur transparent à moins de l'avoir vidé et rincé à l'eau froide.
- Ne pas utiliser l'aspirateur pour ramasser des objets pointus, des petits jouets, des épingles, des trombones, etc., car ils pourraient endommager l'aspirateur.
- Votre garantie pourrait être annulée si vous n'utilisez pas les pièces de rechange recommandées par Dyson. Ne pas utiliser de lubrifiant, de décapant, de produit à polir ou de désodorisant sur l'appareil.

## VIDAGE DU COLLECTEUR TRANSPARENT

### ⚠ ATTENTION :

- Mettre l'aspirateur hors tension et le débrancher avant de vider le collecteur transparent.

### REMARQUE :

- N'utilisez pas l'aspirateur sans le collecteur transparent.
- Pour réduire le contact avec la poussière et les allergènes lorsqu'on vide le collecteur transparent, le vider dans un sac en plastique en s'assurant que l'ensemble est parfaitement étanche. Retirer avec précaution le collecteur transparent; fermer hermétiquement le sac en plastique et le mettre au rebut selon la procédure normale.
- Videz le collecteur dès que le niveau MAX est atteint – Ne pas dépasser ce niveau.
- Pour retirer le collecteur de l'aspirateur, appuyer sur le bouton situé à l'arrière de la poignée de transport. Pour évacuer la poussière, appuyer sur le bouton à l'avant du collecteur.

## LAVAGE DU COLLECTEUR TRANSPARENT

### ⚠ ATTENTION :

- Ne pas plonger le cyclone dans l'eau et ne pas verser d'eau dans les éléments le constituant.
- Assurez-vous que le collecteur transparent est entièrement sec avant de le remettre en place.

### REMARQUE :

- N'utilisez pas de détergent, de cire ni de désodorisant pour laver le collecteur transparent.
- Ne mettez pas le collecteur transparent dans le lave-vaisselle.
- Nettoyez l'enveloppe à l'aide d'un linge sec ou d'une brosse pour enlever les peluches et la saleté.

## LAVAGE DES FILTRES

Laver les filtres au moins une fois par mois

### ⚠ ATTENTION :

- Mettre l'aspirateur hors tension et le débrancher avant de retirer les filtres.
- S'assurer que les filtres sont complètement secs avant de les replacer.

### REMARQUE :

- Cet aspirateur est muni de deux filtres, aux emplacements indiqués dans l'illustration. Il est important de vérifier les filtres régulièrement et les laver au moins tous les mois tel que décrit dans les instructions pour conserver la puissance de l'aspirateur. Il faut rincer le filtre B de l'aspirateur jusqu'à ce que l'eau soit claire; ensuite il faut le sécher pour éliminer tout reste d'eau. Cette procédure nécessite habituellement 10 cycles de rinçage.
- Veuillez le laisser sécher complètement pendant 24 heures.
- Les filtres peuvent nécessiter un lavage plus fréquent si on se sert de l'appareil pour aspirer des poussières fines.
- Ne pas utiliser de détergent pour laver les filtres.
- Ne pas mettre les filtres dans le lave-vaisselle, la machine à laver le linge, la sècheuse, le four micro-onde ni les placer près d'une flamme vive.

## VÉRIFICATION DE LA PRÉSENCE D'OBSTRUCTIONS

### ⚠ ATTENTION :

- Mettre l'aspirateur hors tension et le débrancher avant de vérifier la présence d'obstructions. Si cela n'est pas fait, cela peut causer une décharge électrique ou des blessures.
- Faire attention aux objets pointus pendant l'élimination des obstructions.
- Remettre en place toutes les parties de l'aspirateur avant de l'utiliser.

### REMARQUE :

- L'élimination des obstructions n'est pas couverte par la garantie limitée de l'aspirateur. Si une obstruction se forme dans n'importe quelle partie de l'aspirateur, ce dernier pourrait surchauffer et s'arrêter automatiquement. Débrancher l'aspirateur et le laisser refroidir. Éliminer l'obstruction avant de le remettre en marche.
- De gros débris peuvent bloquer l'entrée des accessoires ou du tube-rallonge, si cela se produit, placer l'interrupteur en position d'arrêt avant de retirer l'obstruction. Ne pas appuyer sur le bouton de dégagement du tube-rallonge.

## INFORMATION RELATIVE À L'ÉLIMINATION DU PRODUIT

Les produits Dyson sont constitués de matériaux hautement recyclables et ne doivent pas être éliminés avec les ordures ménagères. Pour protéger l'environnement, veuillez mettre au rebut ce produit de manière responsable et le recycler là où les installations existent.

## ASSISTANCE À LA CLIENTÈLE DYSON

MERCI D'AVOIR CHOISI D'ACHETER UN ASPIRATEUR DYSON

Si vous avez des questions sur votre aspirateur Dyson, communiquez avec le service d'assistance téléphonique de Dyson en composant le 1-877-397-6622. Ayez en main votre numéro de série et les détails relatifs à l'achat de l'appareil ou communiquez avec nous par l'entremise du site Web de Dyson. Le numéro de série se trouve sur le corps principal de l'aspirateur, derrière le collecteur transparent. La plupart des problèmes peuvent être réglés au téléphone ou par courriel avec l'aide d'un de nos représentants au service d'assistance téléphonique. Si votre aspirateur nécessite une réparation, composez le numéro de la ligne d'assistance téléphonique de Dyson. Nous vous présenterons les choix qui s'offrent à vous. Si l'aspirateur est sous garantie et que la réparation est couverte par cette dernière, votre aspirateur sera réparé sans frais.

## SERVICE D'ASSISTANCE TÉLÉPHONIQUE DE DYSON

Par téléphone, en composant le numéro sans frais 1-877-397-6622, disponible six jours par semaine.

## VEUILLEZ VOUS ENREGISTRER EN TANT QUE PROPRIÉTAIRE D'UN ASPIRATEUR DYSON

- Afin de nous aider à vous offrir un service rapide et efficace, veuillez prendre le temps d'enregistrer votre achat auprès de nous. Vous pouvez le faire de trois façons :
- en ligne à l'adresse [www.dyson.com](http://www.dyson.com);
- en composant le numéro du service d'assistance à la clientèle de Dyson : 1-877-397-6622

- (sans frais);
- en remplissant le formulaire de garantie ci-joint et en nous le renvoyant par voie postale. Ceci vous permet de confirmer que vous êtes le propriétaire de votre aspirateur en cas de sinistre et nous permet de communiquer avec vous au besoin.

## GARANTIE LIMITÉE DE CINQ ANS

Conditions de la garantie limitée Dyson de cinq ans.

## CE QUI EST COUVERT

Votre aspirateur Dyson est garanti contre tout défaut de matériel et de main-d'œuvre pendant une période de cinq ans à compter de la date d'achat, en usage domestique normal, conformément au guide d'utilisation. Cette garantie vous offre, sans frais, les pièces et la main-d'œuvre nécessaires au bon fonctionnement de l'aspirateur durant la période de garantie. La garantie est soumise aux conditions suivantes :

## CE QUI N'EST PAS COUVERT

- Dyson Canada Limited ne saurait être tenue responsable des frais découlant :
- d'un aspirateur acheté auprès d'un détaillant non autorisé;
- de l'élimination des obstructions dans votre aspirateur;
- des dommages aux tapis causés par le non-respect des instructions du fabricant du revêtement de plancher ou l'omission de désactiver la brosse au besoin;
- de l'utilisation de pièces non recommandées par le guide d'utilisation;
- d'une utilisation ou manipulation négligente, d'une mauvaise utilisation, d'un manque d'entretien ou d'un emploi non conforme au guide d'utilisation;
- de facteurs externes, comme les intempéries;
- de réparations ou modifications effectuées par des parties ou représentants non autorisés;
- d'une utilisation de l'aspirateur à des fins autres qu'un usage domestique normal, c'est-à-dire à des fins commerciales ou de location;
- d'une utilisation de pièces et d'accessoires autres que ceux fournis ou recommandés par Dyson Canada Limited;
- de l'usure normale, y compris l'usure normale des pièces telles que la courroie, le filtre, la brosse, le tuyau souple et le cordon d'alimentation (ou si l'on constate des dommages externes).

## RÉPARATIONS SOUS GARANTIE

- Veuillez remplir et retourner le formulaire de garantie ou enregistrer votre produit en ligne à l'adresse [www.dyson.com](http://www.dyson.com)
- Les conditions de la garantie stipulent que vous devez, avant que soit faite la réparation, composer le numéro du service d'assistance téléphonique de Dyson en ayant en main le nom ou le numéro de modèle de votre appareil, le numéro de série, la date et l'endroit où vous avez effectué l'achat. Veuillez conserver le coupon de caisse dans un endroit sûr afin de ne pas perdre ces renseignements. Le numéro de série figure sur la plaque signalétique apposée sur le corps principal de l'aspirateur, derrière le collecteur transparent.
- Toutes les réparations seront effectuées par Dyson Canada Limited ou un de ses représentants autorisés.
- Toute pièce défectueuse remplacée devient la propriété de Dyson Canada Limited.
- Les réparations effectuées sous garantie ne se prolongeront pas au-delà de la période de la présente garantie.
- Si votre aspirateur ne fonctionne pas correctement, communiquez avec le service d'assistance téléphonique de Dyson en composant le 1-877-397-6622. La plupart des problèmes peuvent être réglés au téléphone avec l'aide d'un membre du personnel qualifié du service d'assistance téléphonique de Dyson. Si ce n'est pas possible, Dyson Canada Limited prendra les mesures nécessaires pour que votre aspirateur soit réparé et retourné en parfait état de marche sans aucuns frais supplémentaires.
- Le remplacement de toute pièce défectueuse effectué sous garantie ne se prolongera pas au-delà de la période de la présente garantie.

## RESTRICTIONS ET EXCLUSIONS DE GARANTIE

- Toute déclaration, garantie ou condition relative à votre aspirateur, implicite ou explicite, en vertu d'une loi ou de tout autre règlement, incluant, sans s'y limiter, la garantie de la qualité marchande ou de convenance à un usage particulier, est limitée à la durée de la présente garantie. Cette limitation n'est pas permise dans certaines Provinces et pourrait ne pas s'appliquer à vous.
- Le recours dont vous disposez eu égard à la violation de la présente garantie est limité aux stipulations décrites ci-dessus. Dyson Canada Limited décline toute responsabilité pour tout dommage consécutif ou accessoire subi lié à l'achat de l'aspirateur ou de son utilisation. Cette limitation n'est pas permise dans certaines Provinces et pourrait ne pas s'appliquer à vous.
- La présente garantie vous confère des droits légaux particuliers. Vous pouvez aussi avoir d'autres droits selon la province dans laquelle vous résidez.
- Cette garantie est incessible.
- La présente garantie est valide uniquement au Canada.

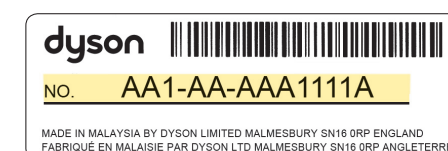
## RÉSUMÉ DE LA GARANTIE

- La garantie entre en vigueur à la date d'achat (ou à la date de livraison, si cette dernière est ultérieure).
- Vous devez fournir une preuve d'achat ou de livraison pour toute réparation effectuée sur votre aspirateur. Sans présentation de cette preuve, toute réparation effectuée vous sera facturée. Veuillez conserver votre reçu ou bon de livraison.
- Toutes les réparations seront effectuées par Dyson Canada Limited ou un de ses représentants autorisés.
- Toute pièce défectueuse remplacée devient la propriété de Dyson Canada Limited.
- La réparation ou le remplacement de votre aspirateur pendant la période de garantie n'allonge pas la période de ladite garantie.
- La présente garantie offre des avantages supplémentaires et n'a aucune incidence sur vos droits prévus par la loi à titre de consommateur.

## RENSEIGNEMENTS IMPORTANTS SUR LA PROTECTION DES DONNÉES

Vos renseignements personnels seront conservés par Dyson Canada Limited ou d'autres sociétés au nom de Dyson Canada Limited afin que nous puissions vous aider plus rapidement dans le cadre de notre service d'assistance téléphonique. De temps à autre, Dyson Canada Limited peut vous envoyer des offres spéciales et des nouvelles au sujet de ses plus récentes innovations. Pour obtenir plus d'information sur nos pratiques relatives à la collecte de données, veuillez consulter la politique de confidentialité de Dyson Canada Limited à l'adresse [www.dyson.com](http://www.dyson.com)

Veillez noter votre numéro de série pour pouvoir vous y référer ultérieurement.



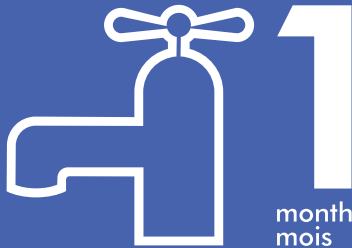
Cette illustration est présentée à titre d'exemple.

## RENSEIGNEMENTS SUR LE PRODUIT :

Remarque: Certains petits détails peuvent varier de ceux illustrés.

# IMPORTANT!

## WASH FILTERS LAVER LES FILTRES



Wash filters with cold water at least every month.  
Laver les filtres à l'eau froide au moins une fois par mois.



### Dyson Customer Care

If you have a question about your Dyson vacuum, call the Dyson Helpline with your serial number and details of where and when you bought the cleaner, or contact us via the Dyson website. The serial number can be found on the main body of the vacuum behind the clear bin.

### Assistance à la clientèle Dyson

Si vous avez des questions au sujet de votre aspirateur Dyson, composez le numéro de la ligne d'assistance de Dyson. Ayez en main votre numéro de série et les détails relatifs à l'achat de l'appareil ou communiquez avec nous par l'entremise du site Web de Dyson. Le numéro de série se trouve sur la plaque signalétique derrière le collecteur transparent.

### Dyson Customer Care

1-877-397-6622

Toll free, 6 days a week

Monday – Friday 8am – 7pm (EST)

Saturday 9am – 5pm (EST)

Closed Sundays and civic holidays

### Assistance à la clientèle Dyson

1-877-397-6622

Sans frais, 6 jours par semaine

Du lundi au vendredi – de 8 h à 19 h (HNE)

Le samedi – de 9 h à 17 h (HNE)

Fermé les dimanches et pendant les congés officiels

Please take a few moments to answer our questions.  
They will help us develop new products for the future.

1. The machine you most recently registered on the Dyson website was:
  - Your first Dyson purchase
  - A further Dyson purchase – you have previously owned other Dyson machines
2. Have you ever recommended Dyson to other people?
  - Yes, at least once
  - Never
3. The floors in your home are:
  - Yes
  - No
4. The floors in your home are:
  - Mostly carpeted
  - Mostly hard floors
5. Do you have air conditioning in your home?
  - Yes
  - No
6. Would you like to hear about future asthma and allergy related initiatives or product development at Dyson?
  - Yes
  - No

Veillez prendre quelques instants pour répondre à nos questions.  
Vos réponses nous aideront à mettre au point de nouveaux produits.

1. Le produit que vous avez dernièrement enregistré sur le site Web de Dyson, s'agit-il :
  - du premier produit Dyson que vous avez acheté
  - d'un autre produit Dyson que vous avez acheté – vous avez possédé antérieurement d'autres aspirateurs Dyson
2. Avez-vous recommandé des produits Dyson à d'autres personnes?
  - Oui, au moins une fois
  - Jamais
3. Avez-vous des chats ou des chiens dans votre foyer?
  - Oui
  - Non
4. Les planchers dans votre foyer sont :
  - essentiellement recouverts de tapis
  - essentiellement des planchers durs
5. Votre foyer est-il climatisé?
  - Oui
  - Non
6. Désirez-vous obtenir de l'information au sujet des initiatives en matière d'asthme et d'allergies ainsi que du développement de produits chez Dyson?
  - Oui
  - Non





# WARRANTY FORM • FORMULAIRE DE GARANTIE

Date of purchase | Date d'achat

Place of purchase | Lieu d'achat

Serial number | Numéro de série

Title | Titre

Surname | Nom

First name | Prénom

Address | Adresse

Postal Code | Code postal

e-mail | Courriel

Telephone | Téléphone

From time to time, we'd like to tell you about new Dyson technology and services. If you'd prefer us NOT to keep in touch, please tick this box.

De temps à autre, nous voudrions vous informer au sujet des nouvelles technologies et des nouveaux services de Dyson ou obtenir votre opinion sur votre achat. Si vous préférez que l'on ne communique PAS avec vous, veuillez cocher cette case.

You must provide proof of delivery/purchase before any work can be carried out on your vacuum cleaner. Without this proof, any work carried out will be chargeable. Please keep your receipt or delivery note.

Vous devez fournir une preuve d'achat ou de livraison pour toute réparation effectuée sur votre aspirateur. Sans présentation de cette preuve, toute réparation effectuée vous sera facturée. Veuillez conserver votre reçu ou bon de livraison.

## 3 EASY WAYS TO REGISTER | 3 FAÇONS DE S'ENREGISTRER FACILEMENT

### ONLINE

Convenient and instant.  
[www.dyson.com](http://www.dyson.com)



### EN LIGNE

Pratique et instantané.  
[www.dyson.com](http://www.dyson.com)

### PHONE

Just call our Helpline on  
**1-877-397-6622**. It's open  
from 8am – 7pm Monday to  
Friday and 9am – 5pm Saturday EST.



### PAR TÉLÉPHONE

Il vous suffit d'appeler notre service  
d'assistance téléphonique au  
**1-877-397-6622**. Le service est  
disponible de 8 h à 19 h, du lundi  
au vendredi et de 9 h à 17 h le  
samedi (HNE).

### MAIL

Complete and return  
the form in the envelope  
supplied.



### PAR COURRIER

Remplir le formulaire fourni et le  
retourner dans l'enveloppe jointe  
à cet effet.

