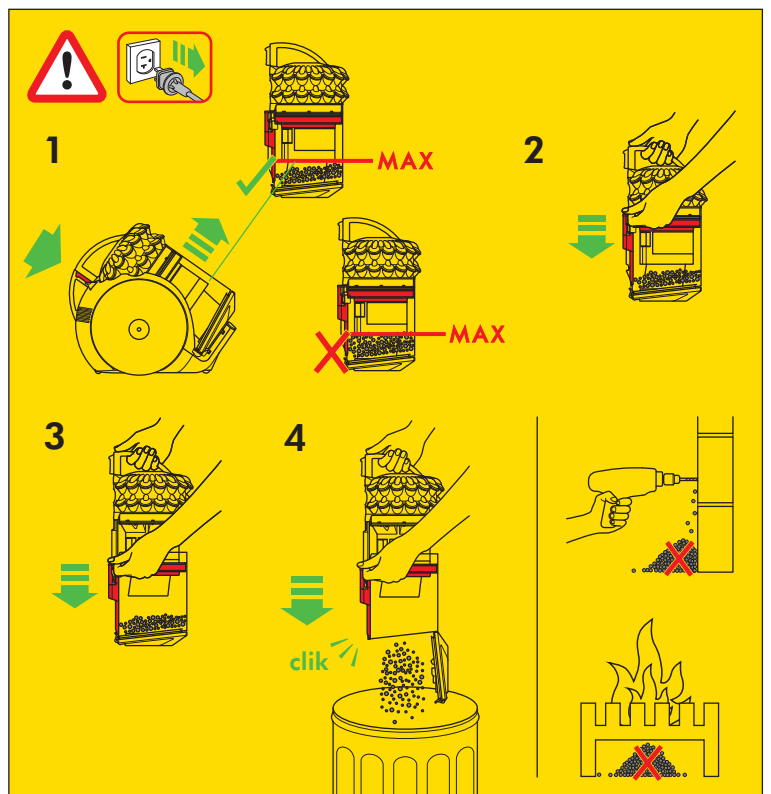
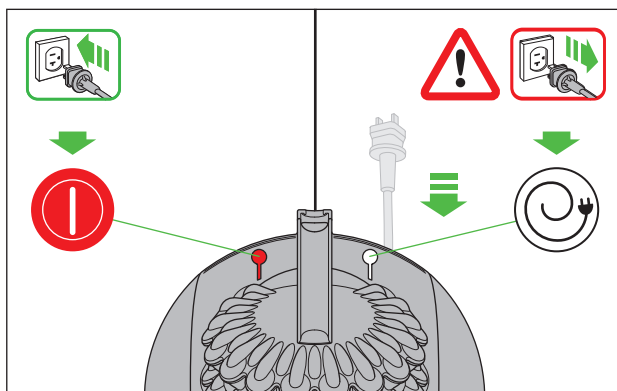
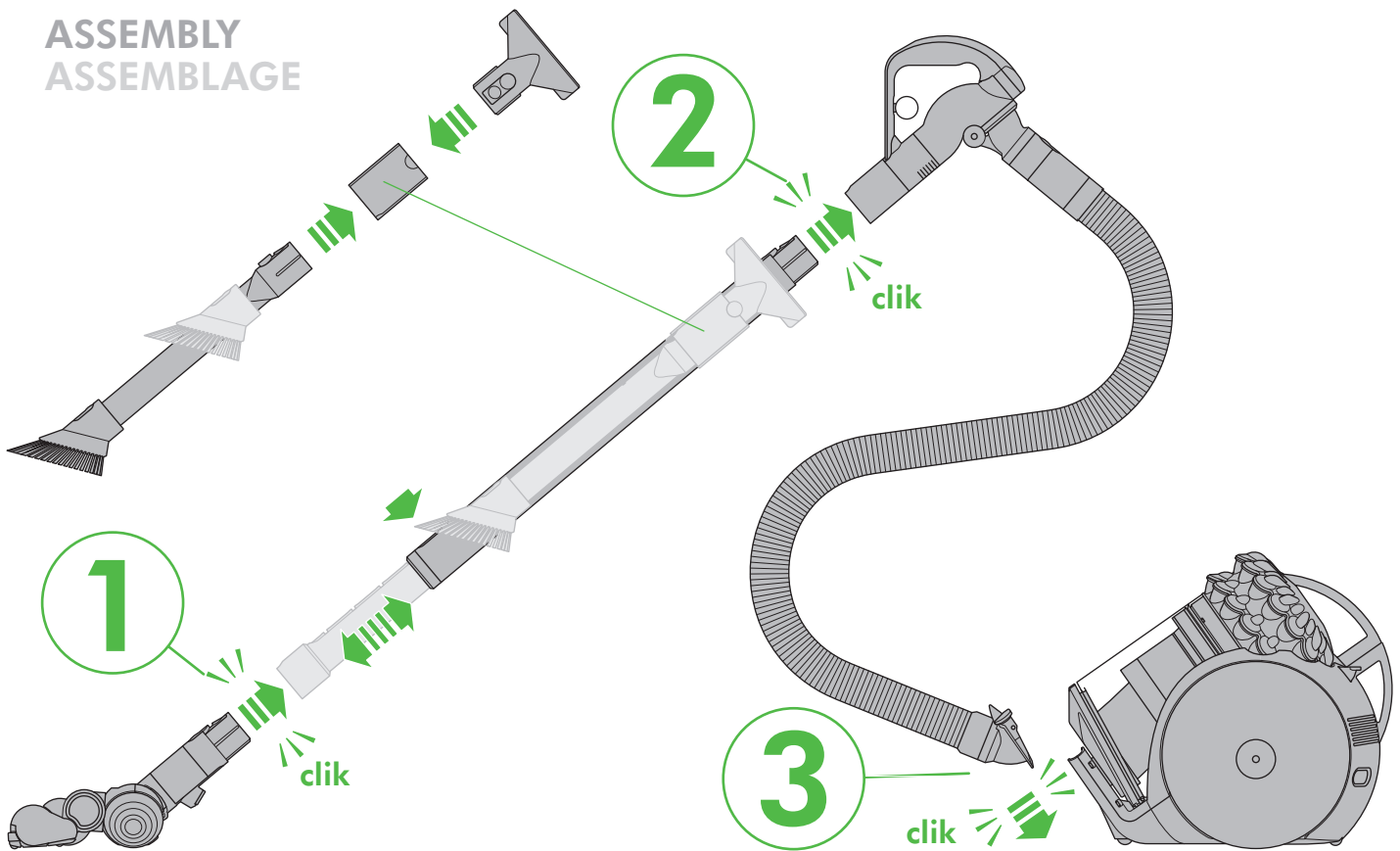


# dyson cinetic big ball

## OPERATING MANUAL GUIDE D'UTILISATION

### ASSEMBLY ASSEMBLAGE



### REGISTER TODAY

3 easy ways to register  
your 5 year limited warranty.

### ENREGISTREMENT

3 façons faciles de vous enregistrer  
pour bénéficier d'une garantie  
limitée de 5 ans.

# IMPORTANT SAFETY INSTRUCTIONS

## BEFORE USING THIS APPLIANCE READ ALL INSTRUCTIONS AND CAUTIONARY MARKINGS IN THIS MANUAL AND ON THE APPLIANCE

When using an electrical appliance, basic precautions should always be followed, including the following:

### **WARNING**

These warnings apply to the appliance, and also where applicable, to all tools, accessories, chargers or mains adaptors.

#### **TO REDUCE THE RISK OF FIRE, ELECTRIC SHOCK, OR INJURY:**

1. This Dyson appliance is not intended for use by young children or infirm persons with reduced physical, sensory or reasoning capabilities, or lack of experience and knowledge, unless they have been given supervision or instruction by a responsible person concerning use of the appliance to ensure that they can use it safely.
2. Do not allow to be used as a toy. Close attention is necessary when used by or near children. Children should be supervised to ensure that they do not play with the appliance.
3. Use only as described in this Dyson Operating Manual. Do not carry out any maintenance other than that shown in this manual, or advised by the Dyson Helpline.
4. Suitable for dry locations ONLY. Do not use outdoors or on wet surfaces.
5. Do not handle any part of the plug or appliance with wet hands.
6. Do not use with a damaged cord or plug. If the supply cord is damaged it must be replaced by Dyson, its service agent or similarly qualified persons in order to avoid a hazard.
7. If the appliance is not working as it should, has received a sharp blow, has been dropped, damaged, left outdoors, or dropped into water, do not use and contact the Dyson Helpline.
8. Contact the Dyson Helpline when service or repair is required. Do not disassemble the appliance as incorrect reassembly may result in an electric shock or fire.
9. Do not stretch the cable or place the cable under strain. Keep the cable away from heated surfaces. Do not close a door on the cable, or pull the cable around sharp edges or corners. Arrange the cable away from traffic areas and where it will not be stepped on or tripped over. Do not run over the cable.
10. Do not unplug by pulling on the cord. To unplug, grasp the plug, not the cord. The use of an extension cord is not recommended.
11. Do not use to pick up water.
12. Do not use to pick up flammable or combustible liquids, such as gasoline, or use in areas where they or their vapours may be present.
13. Do not pick up anything that is burning or smoking, such as cigarettes, matches, or hot ashes.
14. Keep hair, loose clothing, fingers, and all parts of the body away from openings and moving parts. Do not point the hose, wand or tools at your eyes or ears or put them in your mouth.
15. Do not put any object into openings. Do not use with any opening blocked; keep free of dust, lint, hair, and anything that may reduce airflow.
16. Use only Dyson recommended accessories and replacement parts.
17. To avoid a tripping hazard wind the cord when not in use.
18. Do not use without the clear bin and cyclone in place.
19. Do not leave the appliance when plugged in. Unplug when not in use and before servicing.
20. Do not pull or carry by cable or use cable as a handle.
21. Use extra care when cleaning on stairs. Do not work with the appliance above you on the stairs.
22. Turn off all controls before unplugging. Unplug before connecting any tool or accessory.
23. Always extend the cable to the red line but do not stretch or tug the cable.
24. Hold the plug when rewinding onto cable reel. Do not allow the plug to whip when rewinding.

## READ AND SAVE THESE INSTRUCTIONS

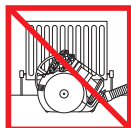
THIS DYSON APPLIANCE IS INTENDED FOR HOUSEHOLD USE ONLY

# POLARIZATION INSTRUCTIONS

To reduce the risk of electric shock, this appliance has a polarized plug (one blade is wider than the other). This plug will fit in a polarized outlet only one way. If the plug does not fit fully in the outlet, reverse the plug. If it still does not fit, contact a qualified electrician to install the proper outlet. Do not attempt to defeat this safety feature and do not change the plug in any way.



Do not pull on the cable.



Do not store near heat sources.



Do not use near open flames.



Do not run over the cable.



Do not pick up water or liquids.



Do not pick up burning objects.



Do not use above you on the stairs.



Do not put hands near the brush bar when the appliance is in use.

# CONSIGNES DE SÉCURITÉ IMPORTANTES

**AVANT D'UTILISER CET APPAREIL, VOUS ÊTES TENU DE LIRE TOUTES LES INSTRUCTIONS ET MISES EN GARDE CONTENUES DANS LE PRÉSENT GUIDE ET INDIQUÉES SUR L'APPAREIL**

Lorsque vous utilisez un appareil électrique, vous devez toujours suivre les précautions de base suivantes :

## AVERTISSEMENT

Ces avertissements s'appliquent à l'aspirateur et à tous les accessoires, ainsi que, s'il y a lieu, à tout chargeur ou adaptateur d'alimentation principal.

**AFIN DE RÉDUIRE LES RISQUES D'INCENDIE, DE DÉCHARGE ÉLECTRIQUE OU DE BLESSURE :**

1. Cet appareil Dyson ne doit pas être utilisé par de jeunes enfants ni des personnes dont les capacités physiques, sensorielles ou de raisonnement sont réduites, ou qui manquent d'expérience ou de connaissances, à moins qu'une personne responsable ne les supervise ou leur indique comment utiliser l'appareil de façon sécuritaire.
2. Cet appareil n'est pas un jouet. Faire très attention lorsqu'on l'utilise près d'enfants ou si ceux-ci s'en servent. Il faut veiller à ce que les enfants ne jouent pas avec l'appareil.
3. Utiliser cet appareil seulement de la façon décrite dans le présent guide. Ne pas effectuer de travaux d'entretien autres que ceux indiqués dans ce guide ou recommandés par le service d'assistance téléphonique de Dyson.
4. Convient aux surfaces sèches SEULEMENT. Ne pas utiliser à l'extérieur ou sur des surfaces mouillées.
5. Ne pas toucher la prise ou l'appareil avec des mains mouillées.
6. Ne pas utiliser si la fiche ou le cordon est endommagé. Si le cordon est endommagé, il doit être remplacé par Dyson ou un agent qualifié afin d'éviter des risques d'accident.
7. Si l'appareil fonctionne mal, s'il a reçu un coup violent, s'il a été échappé, endommagé, laissé à l'extérieur ou plongé dans l'eau, ne pas l'utiliser et communiquer avec le service d'assistance téléphonique de Dyson.
8. Pour toute réparation ou procédure d'entretien, communiquer avec la ligne d'assistance Dyson. Ne pas démonter l'appareil. S'il est réassemblé de manière inappropriée, cela peut causer un incendie ou des décharges électriques.
9. Ne pas étirer le cordon et ne pas exercer de tension sur celui-ci. Garder le cordon à distance des surfaces soumises à la chaleur. Ne pas tirer le cordon en le faisant passer sur des surfaces ou rebords coupants et ne pas le coincer dans une porte. Garder le cordon à distance des aires de circulation et le faire passer à un endroit où il ne risque pas de causer de chutes. Ne pas écraser le cordon en passant dessus.
10. Ne pas débrancher l'appareil en tirant sur le cordon. Pour le débrancher, saisir la fiche et non le cordon. Nous déconseillons l'utilisation d'une rallonge électrique.
11. Ne pas aspirer d'eau.
12. Ne pas utiliser pour aspirer des liquides inflammables ou combustibles, comme de l'essence, ni dans des zones où il peut y avoir de tels liquides ou émanations de leurs vapeurs.
13. Ne pas aspirer d'objets qui brûlent ou qui fument, comme des cigarettes, des allumettes ou des cendres incandescentes.
14. Éloigner les cheveux, les vêtements amples, les doigts et toute partie du corps des ouvertures et des pièces mobiles. Ne pas pointer le tuyau souple, le tube-rallonge ou les accessoires vers les yeux ou oreilles et ne pas les mettre dans la bouche.
15. Ne placer aucun objet dans les ouvertures. Ne pas utiliser si une ouverture est obstruée; enlever la poussière, les peluches, les cheveux et tout ce qui pourrait réduire la circulation de l'air.
16. Utiliser seulement les accessoires et les pièces de rechange recommandés par Dyson.
17. Lorsqu'il n'est plus utilisé, enrouler le cordon afin de prévenir les chutes.
18. Ne jamais utiliser sans le collecteur transparent et l'ensemble de cyclones.
19. Ne pas laisser l'appareil sans surveillance lorsqu'il est branché. Le débrancher s'il n'est pas utilisé ou avant d'effectuer des réparations.
20. Ne pas tirer l'appareil ni le transporter par le cordon, ne pas utiliser ce dernier comme une poignée.
21. Redoubler de prudence dans les escaliers. Lorsque vous passez l'aspirateur dans les escaliers, il ne doit pas se trouver sur une marche plus haute que vous.

22. Fermer toutes les commandes avant de débrancher l'appareil. Le débrancher avant d'y fixer un accessoire.
23. Tirer toujours avec précaution le cordon jusqu'au trait rouge et éviter de l'étirer.
24. Tenir la fiche durant l'enroulement du cordon. Ne pas laisser la fiche effectuer un mouvement de fouet durant l'enroulement.

## LIRE ET CONSERVER CES INSTRUCTIONS

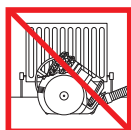
CET APPAREIL DYSON EST CONÇU POUR UN USAGE DOMESTIQUE SEULEMENT

## INSTRUCTIONS DE POLARISATION

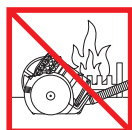
Afin de réduire les risques de décharge électrique, cet appareil a été muni d'une fiche polarisée (une broche est plus large que l'autre). Cette fiche peut être branchée à une prise polarisée d'une seule façon. Si elle n'entre pas entièrement dans la prise, l'inverser. Si cela ne fonctionne toujours pas, communiquer avec un électricien qualifié afin de faire installer une prise appropriée. Ne pas tenter de déjouer ce dispositif de sécurité et ne jamais modifier la fiche.



Ne pas tirer sur le cordon.



Ne pas ranger à proximité de sources de chaleur.



Ne pas utiliser près de flammes nues.



Ne pas écraser le cordon en passant dessus.



Ne pas aspirer d'eau ou de liquides.



Ne pas aspirer des objets qui brûlent.

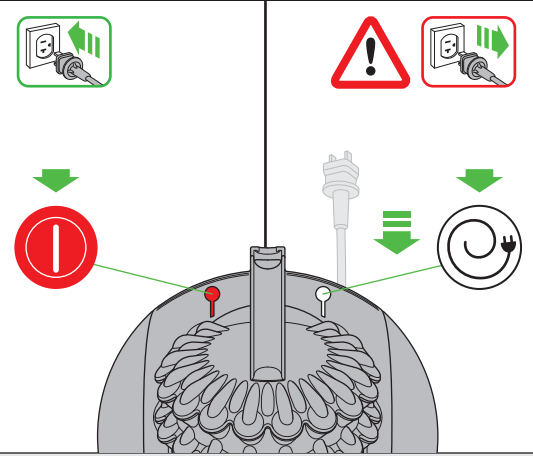


Ne pas laisser l'aspirateur sur une marche d'escalier située plus haut que vous.

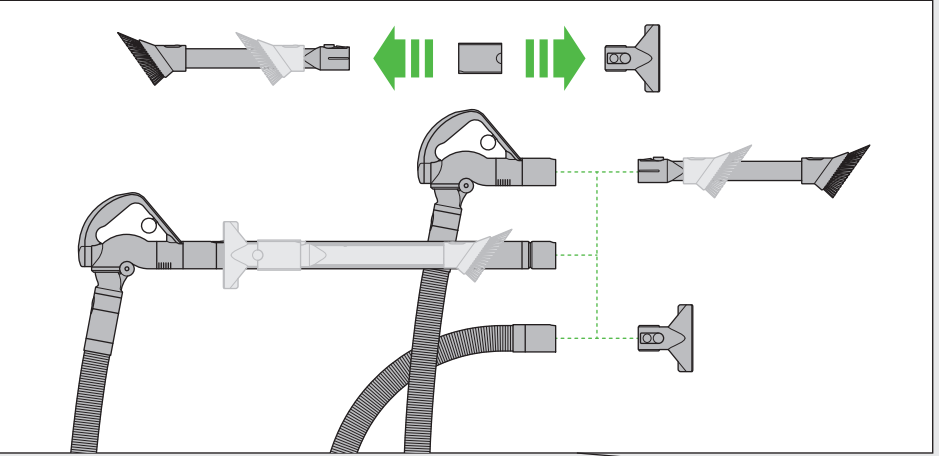


Ne pas mettre vos mains près de la brosse lorsque l'appareil est en marche.

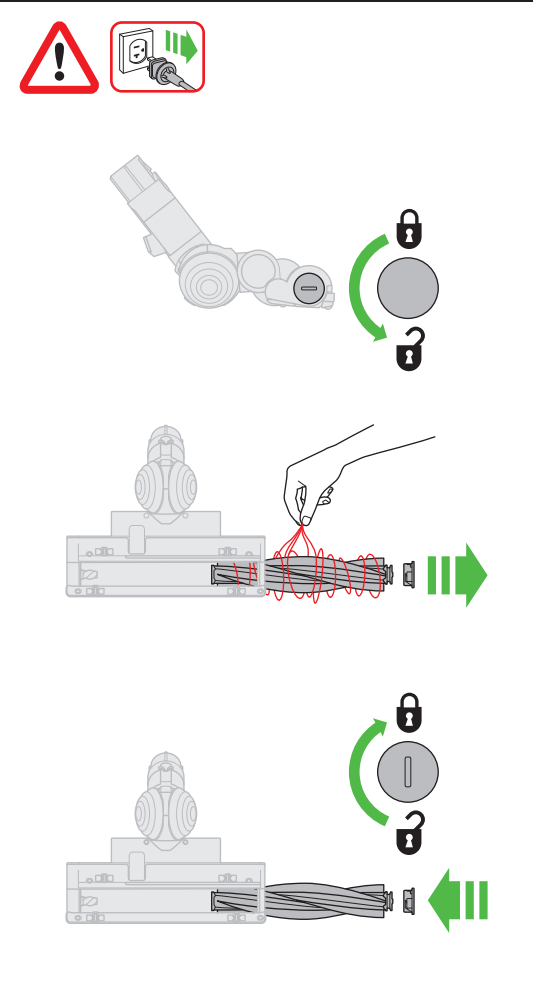
Power & cord  
Alimentation et cordon



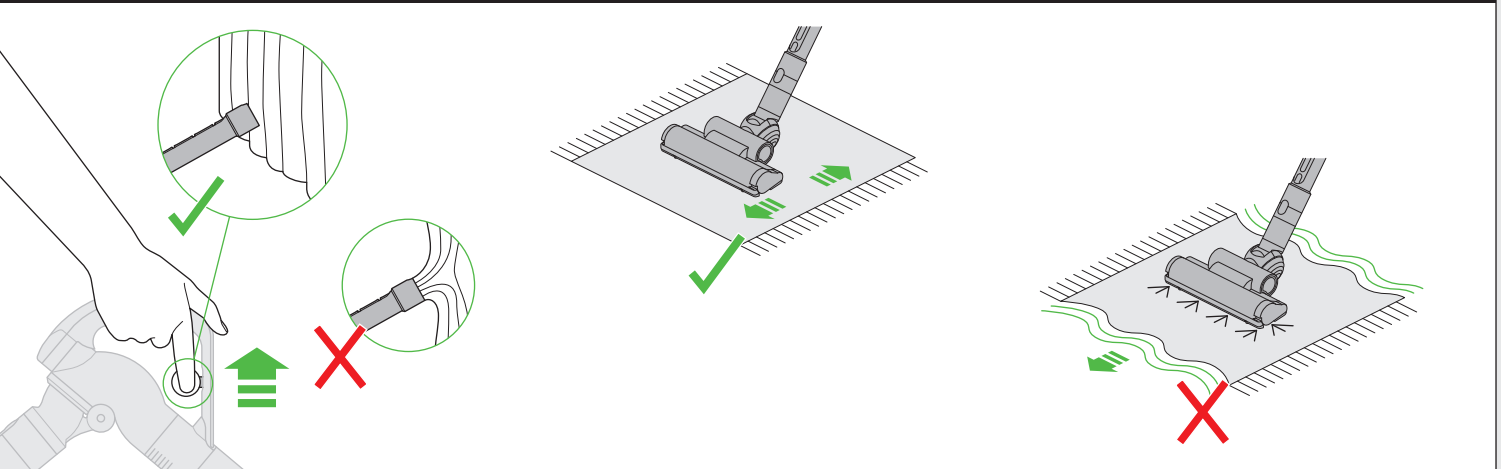
Tool attachments  
Accessoires à fixer



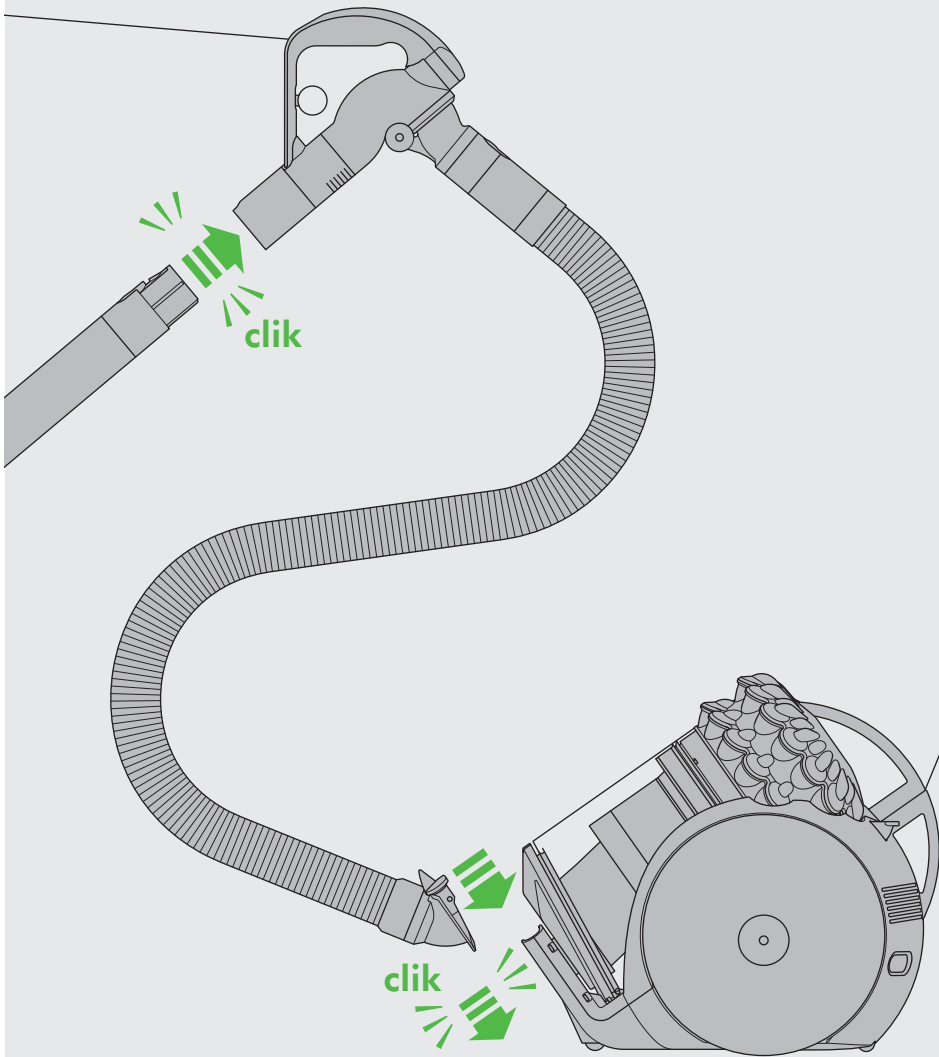
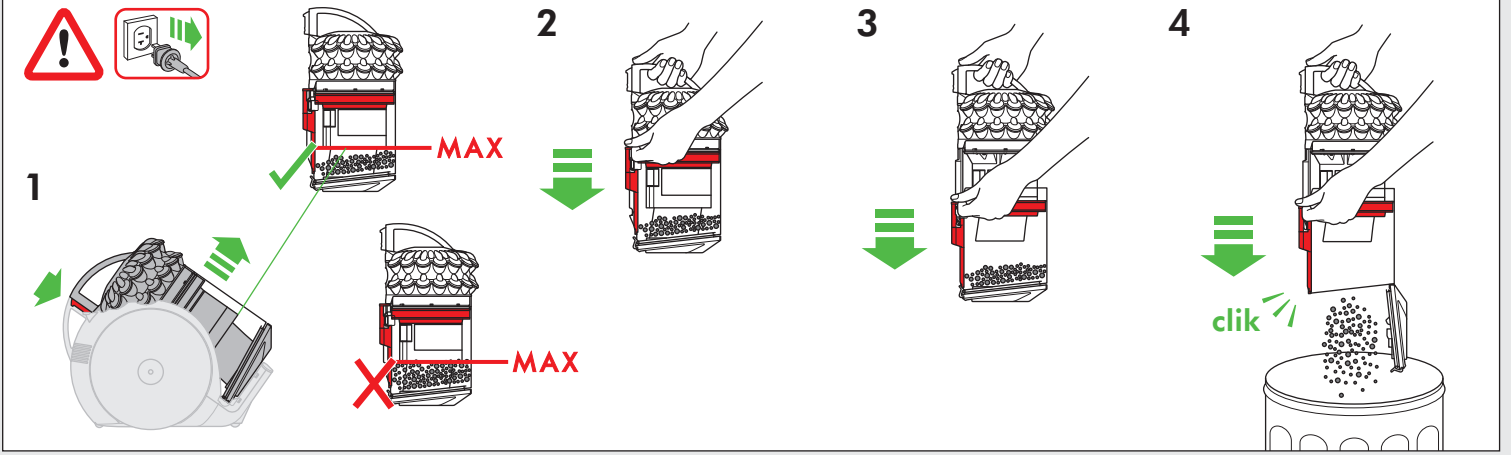
Brush bar – clearing obstructions  
Brosse – Élimination des obstructions



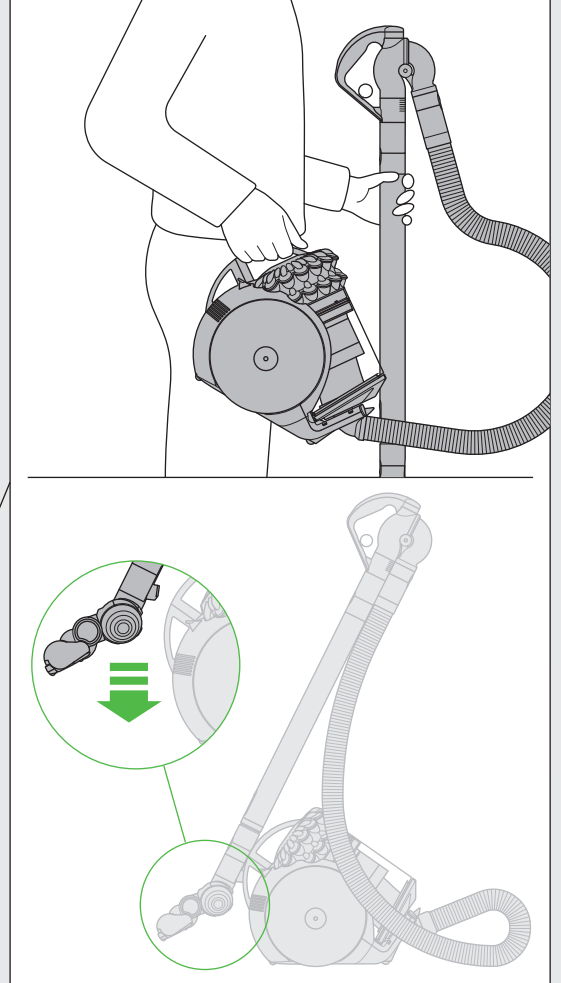
Suction release  
Activation de la puissance d'aspiration



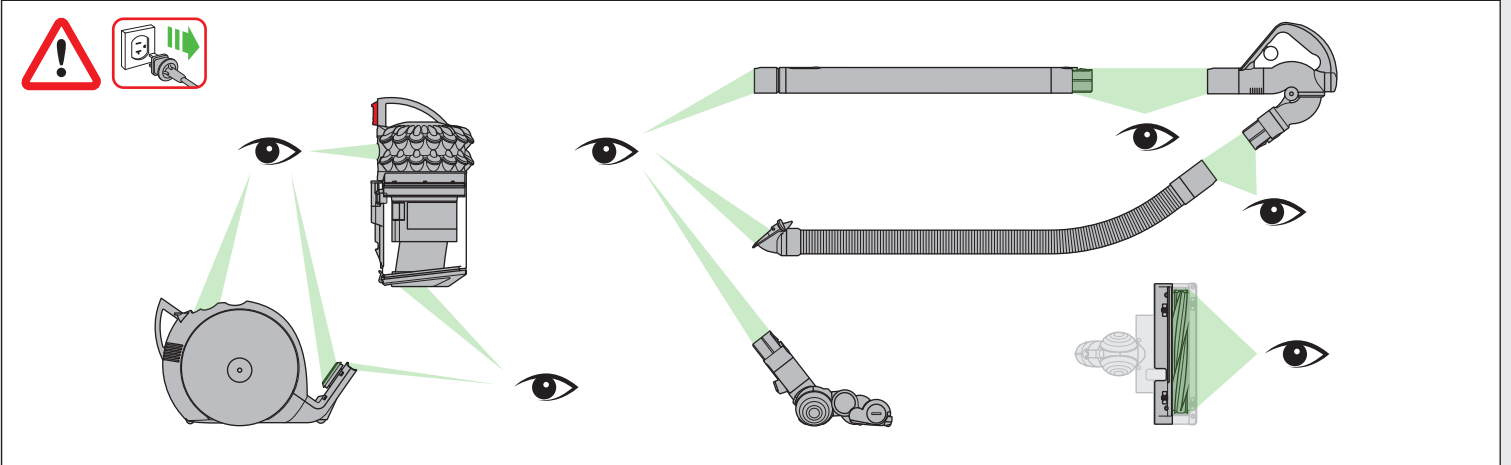
Emptying the clear bin  
Vidage du collecteur transparent



Carrying & storage  
Transport et rangement

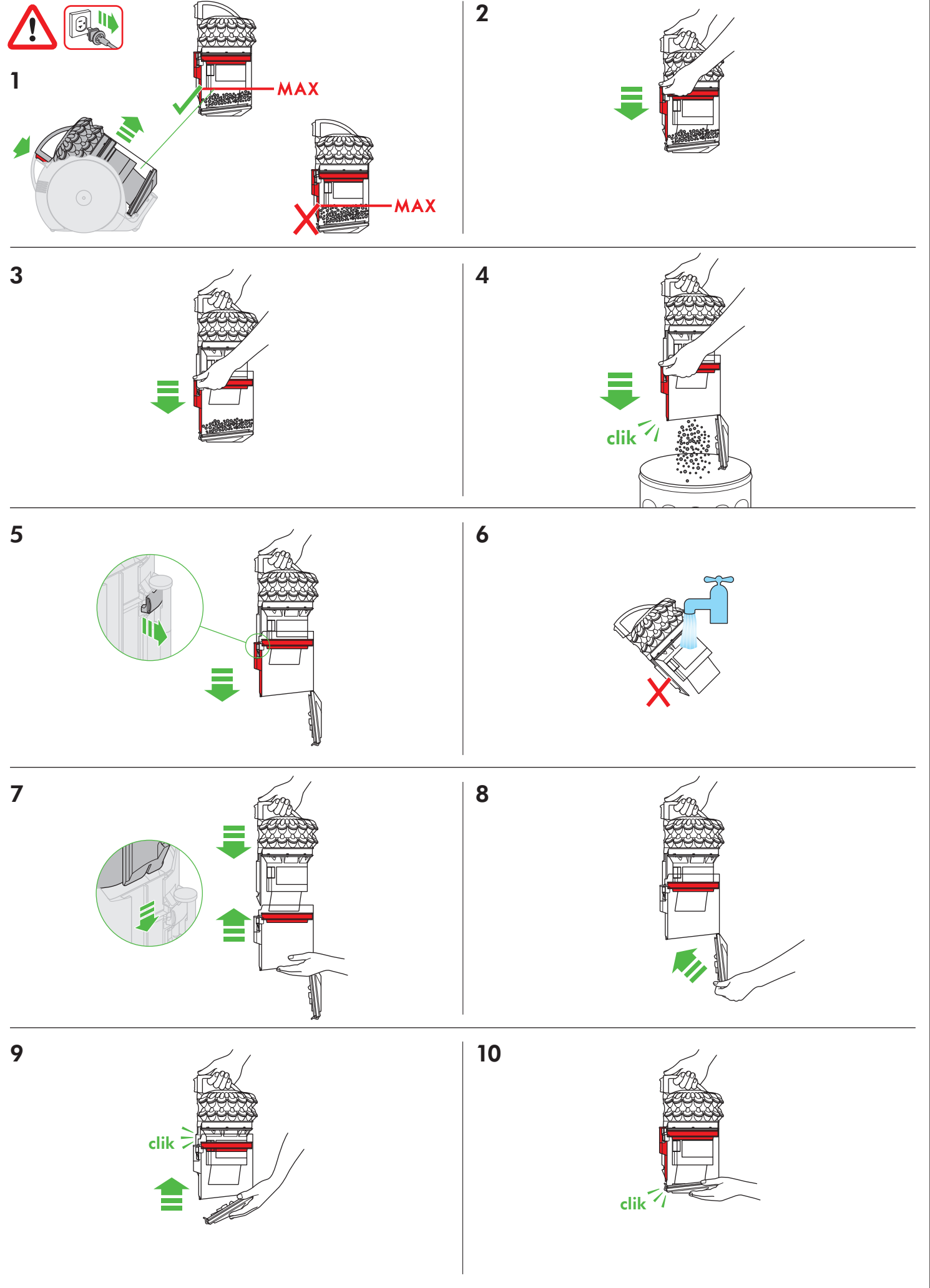


Looking for blockages  
Vérification de la présence d'obstructions





Cleaning the clear bin (Optional)  
Nettoyage du collecteur (facultatif)





## USING YOUR DYSON APPLIANCE

PLEASE READ THE 'IMPORTANT SAFETY INSTRUCTIONS' IN THIS DYSON OPERATING MANUAL BEFORE PROCEEDING.

### CARRYING THE APPLIANCE

- Carry the appliance by the main handle on the body.
- Do not press the cyclone release button or shake the appliance when carrying or the cyclone could disengage, fall off and cause injury.

### CARPETS OR HARD FLOORS

- The brush bar will always default to 'ON' (spinning) each time you switch the machine 'ON'.
- To reduce the speed of the brush bar (e.g. for delicate flooring and delicate hard floors), pull the suction release trigger on the handle.
- The brush bar will automatically stop if it becomes obstructed. See 'Brush bar – clearing obstructions'.
- Before vacuuming your flooring, rugs and carpets, check the manufacturer's recommended cleaning instructions.
- Some carpets may fuzz if a rotating brush bar is used when vacuuming. If this happens, we recommend pulling the suction release trigger to reduce brush bar spin.
- The brush bar on the machine may damage some carpet types and delicate hard flooring. If you are unsure, pull the suction release trigger to reduce brush bar spin. Alternatively, use a Dyson hard floor tool (available as an option).
- This appliance has carbon fibre brushes. Take care if coming into contact with them, as they may cause minor skin irritation. Wash your hands after handling the brushes.

### LOOKING AFTER YOUR DYSON APPLIANCE

- Do not carry out any maintenance or repair work other than that shown in this Dyson Operating Manual, or advised by the Dyson Helpline.
- Only use parts recommended by Dyson. If you do not this could invalidate your warranty.
- Store the appliance indoors. Do not use or store it below 3°C (37.4°F). Ensure the appliance is at room temperature before operating.
- Clean the appliance only with a dry cloth. Do not use any lubricants, cleaning agents, polishes or air fresheners on any part of the appliance.
- If used in a garage, always wipe the base plate and ball with a dry cloth after vacuuming to clean off any sand, dirt, or pebbles that could damage delicate floors.

### VACUUMING

- Do not use without the clear bin and cyclone in place.
- Do not use on rubble, ash or plaster. This appliance is designed only for domestic use to remove household dirt, hair and allergens. The appliance is not designed to be used on:
  - debris produced from activities such as DIY, building or similar tasks
  - larger types and quantities of dust or debris, such as soot and sawdust. These materials may harm the appliance and may void your warranty.
- Fine dirt such as flour should only be vacuumed in very small amounts.
- Do not use the appliance to pick up sharp hard objects, small toys, pins, paper clips, etc. They may damage the appliance.
- When vacuuming, certain carpets may generate small static charges in the clear bin or wand. These are harmless and are not associated with the mains electricity supply. To minimize any effect from this, do not put your hand or insert any object into the clear bin unless you have first emptied it and rinsed it out with cold water (see 'Cleaning the clear bin').
- Do not work with the appliance above you on the stairs.
- Do not put the appliance on chairs, tables, etc.
- Before vacuuming highly polished floors, such as wood or linoleum, first check that the underside of the floor tool and its brushes are free from foreign objects that could cause marking.
- Do not push hard with the floor tool when vacuuming, as this may cause damage.

### EMPTYING THE CLEAR BIN

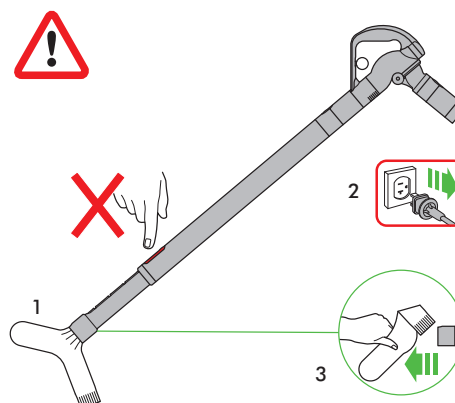
- Empty as soon as the dirt reaches the level of the MAX mark – do not overfill.
- Switch 'OFF' and unplug before emptying the clear bin.
- To remove the cyclone and clear bin unit, push the red button on the top of the carrying handle, as shown.
- To release the dirt, firmly push the red bin release button.
  - The bin will slide down, cleaning the shroud as it goes.
  - The bin base will then open.
- The bin base will not open if the red button is not pushed down fully.
- To minimize dust/allergen contact when emptying, encase the clear bin tightly in a plastic bag and empty.
- Remove the clear bin carefully from the bag.
- Seal the bag tightly, dispose as normal.
- Close the clear bin by pushing the bin base upwards until it clicks into place.
- Push the bin base clip firmly until it clicks into position to ensure that the base is securely sealed.
- Align the base of the clear bin with the air hose inlet and then click back into place.

### CLEANING THE CLEAR BIN (OPTIONAL)

- In the event that it is necessary to clean the clear bin:
  - Remove the cyclone and clear bin and push the red bin base release button.
  - Pull the silver catch behind the red bin release button and slide the clear bin off the spine on the cyclone.
  - Clean the clear bin with cold water only.
  - Do not use detergents, polishes or air fresheners to clean the clear bin.
  - Do not put the clear bin in a dishwasher.
  - Do not immerse the whole cyclone in water or pour water into the cyclones.
  - Ensure the clear bin is completely dry before replacing.
  - To refit the clear bin:
    - Insert the spine into the bin runner
    - Push upwards until it clicks and then continue pushing until it slides home.
  - Close the clear bin by pushing the bin base upwards. Ensure that the bin base clicks and the clip is securely in place.

## BLOCKAGES – THERMAL CUT-OUT

- This appliance is fitted with an automatically resetting thermal cut-out.
- If any part becomes blocked the appliance may overheat and automatically cut-out.
- If this happens, follow the instructions below in 'Looking for blockages'.
- NOTE: Large items may block the tools or wand inlet. If this happens, do not operate the wand release catch. Switch 'OFF' and unplug. Failure to do so could result in personal injury.



### LOOKING FOR BLOCKAGES

- Switch 'OFF' and unplug before looking for blockages. Failure to do so could result in personal injury.
- Leave to cool down for 1-2 hours before looking for blockages.
- Beware of sharp objects when checking for blockages.
- Clear any blockage before restarting.
- Refit all parts securely before using.
- Clearing blockages is not covered by your warranty.

### DISPOSAL INFORMATION

- Dyson products are made from high grade recyclable materials. Recycle where possible.

### ONLINE SUPPORT

- For online help, general tips, videos and useful information about Dyson. [www.dysoncanada.ca/support](http://www.dysoncanada.ca/support)

### DYSON CUSTOMER CARE

#### THANK YOU FOR CHOOSING TO BUY A DYSON APPLIANCE

After registering your free 5 year warranty, your Dyson appliance will be covered for parts and labour for 5 years from the date of purchase, subject to the terms of the warranty. If you have any questions about your Dyson appliance, call the Dyson Helpline with your serial number and details of where/when you bought the appliance or contact us via the Dyson website. Most questions can be solved over the phone by one of our trained Dyson experts.

If your Dyson appliance needs service, call the Dyson Helpline so we can discuss the available options. If your Dyson appliance is under warranty, and it is a covered repair, it will be repaired at no cost. Your serial number can be found on your rating plate which is on the main body of the appliance.

### PLEASE REGISTER AS A DYSON APPLIANCE OWNER

To help us ensure you receive prompt and efficient service, please register as a Dyson appliance owner. There are three ways to do this:

- Online at [www.dysoncanada.ca](http://www.dysoncanada.ca)
- Telephone the Dyson Helpline at 1-877-397-6622.
- Complete the enclosed Warranty Form and mail it to us. This will confirm ownership of your Dyson appliance in the event of an insurance loss, and enable us to contact you if necessary.

### LIMITED 5 YEAR WARRANTY

TERMS AND CONDITIONS OF THE DYSON 5 YEAR LIMITED WARRANTY.

### WHAT IS COVERED

- Your Dyson appliance is warranted against original defects in material and workmanship for a period of 5 years from the date of purchase, when used for normal domestic purposes in accordance with the Dyson Operating Manual. Please retain your proof of purchase. If you do not have your proof of purchase, your warranty will start 90 days after the date of manufacture, according to Dyson's records. This warranty provides, at no extra cost to you, all labour and parts necessary to ensure your appliance is in proper operating condition during the warranty period. The replacement of any part of your appliance under warranty will not extend the period of warranty. Any parts which are returned to Dyson will become the property of Dyson. Please call the Dyson Helpline at 1-877-397-6622 for more information.
- This warranty is valid only in the country in which the appliance was purchased.
- This limited warranty is subject to the following terms:

### WHAT IS NOT COVERED

Dyson Canada Limited shall not be liable for costs, damages or repairs incurred as a result of, due to, or from:

- Purchases of appliances from unauthorized dealers.
- Careless operation or handling, misuse, abuse and/or lack of maintenance or use not in accordance with the Dyson Operating Manual.
- Use of the appliance other than for normal domestic purposes within Canada, e.g. for commercial or rental purposes.

- Use of parts not in accordance with the Dyson Operating Manual.
- Use of parts and accessories other than those produced or recommended by Dyson.
- External sources such as weather, electrical outages or power surges.
- Repairs or alterations carried out by unauthorized parties or agents.
- Clearing blockages from your appliance or washing of the filter.
- Normal wear and tear, including normal wearing parts, such as clear bin, filter, brush bar, and power cord (or where external damage or abuse is diagnosed), carpet or floor damage due to use not in accordance with Dyson's Operating Manual or failure to turn the brush bar off when necessary.
- Reduction in battery discharge time due to battery age or use (where applicable).
- Damage as a result of use not in accordance with the rating plate.
- Use of this appliance on rubble, ash, plaster, drywall, liquids, or wet surfaces.
- Additionally, this limited warranty does not apply to any appliance that has had the serial number altered or removed.

## WARRANTY SERVICE

- Please fill out and return the Warranty Form or register online at [www.dysoncanada.ca](http://www.dysoncanada.ca)
- Before service can take place, the terms of the warranty require that you contact the Dyson Helpline with your model name/number, serial number, date and place of purchase.
- Please keep your purchase receipt in a safe place to ensure you have this information.
- All work will be coordinated by Dyson Canada Limited or its authorized agents.
- Any replaced defective parts will become property of Dyson.
- Service under this warranty will not extend the period of this warranty.
- If your appliance is not functioning properly, please call the Dyson Helpline at 1-877-397-6622. Most issues can be rectified over the telephone by our trained customer care staff.

## WARRANTY LIMITATIONS AND EXCLUSIONS

- Any implied warranties relating to your appliance including but not limited to warranty of merchantability or warranty of fitness for a particular purpose, are limited to the duration of this warranty. This limitation is not allowed by some Provinces and/or Territories and so this limitation may not apply to you.
- This limited warranty gives you specific legal rights. You may also have other rights which vary by Province and/ or Territory.
- This limited warranty is not transferable.
- This limited warranty is only available in Canada.

## SUMMARY OF COVER

- You must provide proof of purchase before any work can be carried out on your Dyson appliance. Without this proof, any work carried out may be chargeable. Keep your receipt.
- All work will be carried out by Dyson Canada Limited or its authorized agents.
- Any parts which are replaced by Dyson will become the property of Dyson Canada Limited.
- The repair or replacement of your appliance under warranty will not extend the period of warranty.
- The warranty provides benefits which are additional to and do not affect your statutory rights as a consumer.

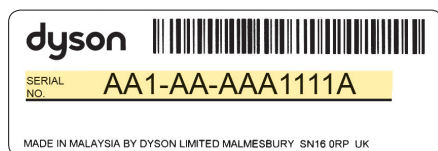
## IMPORTANT DATA PROTECTION INFORMATION

- If you choose to opt-in to receive communications from us, your details will be held by Dyson Canada Limited or others on behalf of Dyson Canada Limited so that we can assist you more quickly with our Dyson Helpline. From time to time, Dyson Canada Limited may send you special offers and news of our latest innovations.
- For more information about our data collection practices, please refer to the Dyson Canada Limited privacy policy at [www.dysoncanada.ca](http://www.dysoncanada.ca)

## CONFORMITY INFORMATION

Industry Canada statements.

Note your serial number for future reference.



This illustration is for example purposes only.

## UTILISATION DE VOTRE APPAREIL DYSON

VEUILLEZ LIRE LES « CONSIGNES DE SÉCURITÉ IMPORTANTES » DANS CE GUIDE D'UTILISATION DYSON AVANT DE POURSUIVRE.

### COMMENT TRANSPORTER L'ASPIRATEUR

- Porter l'aspirateur par la poignée principale située sur le châssis.
- Ne pas appuyer sur le bouton de déclenchement du cyclone et ne pas secouer l'aspirateur durant le transport, le cyclone pourrait se détacher, tomber sur le sol et causer des blessures.

### TAPIS OU PLANCHERS DURS

- La brosse se met automatiquement en marche (elle tourne) chaque fois que vous mettez l'aspirateur en marche.
- Pour réduire la vitesse de la brosse (par exemple sur les planchers délicats et les planchers durs délicats), tirer sur le bouton de déclenchement de la puissance d'aspiration situé sur la poignée.
- La brosse s'arrête automatiquement si elle est obstruée. Voir « Brosse – Élimination des obstructions ».
- Avant de nettoyer les planchers, tapis et moquettes, vérifiez les recommandations de nettoyage du fabricant.
- Des peluches peuvent se former sur certaines moquettes si une brosse rotative est utilisée. Dans un tel cas, nous recommandons de tirer sur le bouton de déclenchement de la puissance d'aspiration afin de réduire la vitesse de rotation de la brosse.
- La brosse peut endommager certains types de tapis et les planchers durs délicats. Dans un tel cas, tirer sur le bouton de déclenchement de la puissance d'aspiration afin de réduire la vitesse de rotation de la brosse. Il est également possible d'utiliser un accessoire pour planchers durs Dyson (disponible en option).
- Cet appareil est muni de brosses en fibres de carbone. Faites preuve de précaution en cas de contact avec ces dernières; elles peuvent causer de légères irritations cutanées. Se laver les mains après avoir manipulé les brosses.

### SOINS À APPORTER À L'APPAREIL

- Ne pas effectuer d'autres réparations et entretiens que ceux recommandés dans ce guide d'utilisation Dyson ou par le service d'assistance téléphonique Dyson.
- Utiliser seulement des pièces recommandées par Dyson. Ne pas suivre cette recommandation pourrait rendre votre garantie non valide.
- Ranger l'appareil à l'intérieur. Ne pas utiliser ni entreposer à moins de 3 °C (37,4 °F). S'assurer que l'appareil est à la température ambiante avant utilisation.
- Nettoyer l'appareil seulement à l'aide d'un chiffon sec. Ne pas utiliser de lubrifiant, de produit de nettoyage, de produit à polir ou de désodorisant sur l'appareil.
- Si vous utilisez l'aspirateur dans un garage, veillez à bien nettoyer la semelle et le ballon à l'aide d'un linge sec après utilisation pour enlever tout le sable, la saleté ou les cailloux qui pourraient endommager les revêtements de sol délicats.

### PASSER L'ASPIRATEUR

- Ne jamais utiliser sans le collecteur transparent et l'ensemble de cyclones.
- Ne pas utiliser l'aspirateur pour aspirer des gravats, des cendres ou du plastique. Cet aspirateur est conçu uniquement à des fins d'usage domestique pour éliminer la poussière domestique, les poils et les allergènes. Il n'est pas conçu pour aspirer les matières suivantes :
  - Les débris produits d'activités de bricolage, de construction ou de travaux similaires;
  - de grande quantités de poussière et de débris, comme la suie ou les copeaux de bois.
- Ces matières peuvent endommager l'aspirateur et annuler votre garantie.
- Les fines particules de poussière comme la farine ne doivent être aspirées qu'en très petites quantités.
- Ne pas utiliser l'appareil pour ramasser des objets durs et pointus, des petits jouets, des épingles, des trombones, etc. Ils pourraient endommager l'appareil.
- Durant le passage de l'appareil, certains tapis pourraient générer de petites charges électrostatiques dans le collecteur transparent ou le tube-rallonge. Ces charges sont complètement inoffensives et ne sont pas liées à l'alimentation électrique. Pour en réduire au minimum les effets, ne pas placer les mains ni insérer d'objet dans le collecteur transparent avant de l'avoir complètement vidé et rincé à l'eau froide (se reporter à la section « Nettoyage du collecteur transparent »).
- Lorsque vous passez l'aspirateur dans les escaliers, il ne doit pas se trouver sur une marche plus haute que vous.
- Ne pas placer l'aspirateur sur une chaise, une table, etc.
- Avant de passer l'aspirateur sur les planchers de bois ou de linoléum bien cirés, vérifier en premier qu'il n'y a aucun objet sous l'accessoire pour plancher et dans les soies, susceptible de laisser des marques.
- Ne pas exercer une pression trop forte avec l'accessoire pour plancher, cela pourrait causer des dommages.

### VIDAGE DU COLLECTEUR TRANSPARENT

- Vider le collecteur dès que le niveau MAX est atteint – ne pas dépasser ce niveau.
- Mettre l'aspirateur hors tension et le débrancher avant de vider le collecteur.
- Pour retirer le cyclone et le collecteur transparent, appuyez sur le bouton rouge sur le haut de la poignée du cyclone.
- Pour évacuer la saleté, appuyez fermement sur le bouton rouge de dégagement du collecteur.
  - Le collecteur glisse vers le bas, nettoyant l'enveloppe.
  - La base du collecteur s'ouvre alors.
- Appuyez à fond sur le bouton rouge pour qu'elle s'ouvre.
- Pour réduire le contact avec la poussière et les allergènes, recouvrir le collecteur transparent d'un sac plastique et le vider.
- Retirer avec précaution le collecteur du sac.
- Fermer hermétiquement le sac et le mettre au rebut selon la procédure normale.
- Pour refermer la base du collecteur, exercez une pression vers le haut jusqu'à ce qu'un clic se fasse entendre.
- Pour vous assurer que la base est bien fixée dans son logement, exercez une pression ferme sur son dispositif de fermeture jusqu'à ce qu'un clic se fasse entendre.

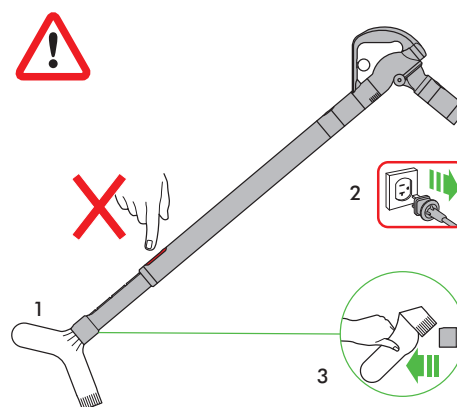
- Alignez la base du collecteur transparent et l'orifice d'admission du tuyau souple et enclenchez-les.

### NETTOYAGE DU COLLECTEUR (FACULTATIF).

- Dans le cas où il faut nettoyer le collecteur transparent :
- Retirez le cyclone et le collecteur transparent. Dégagez la base du collecteur.
- Tirez sur la languette argentée qui se trouve derrière le bouton rouge de dégagement du collecteur et retirez le collecteur du cyclone.
- Nettoyer le collecteur à l'eau froide seulement.
- Ne pas utiliser de détergent, de cire ni de désodorisant pour laver le collecteur transparent.
- Ne pas mettre le collecteur transparent dans le lave-vaisselle.
- Ne pas plonger le cyclone dans l'eau et ne pas verser d'eau dans les éléments le constituant.
- S'assurer que le collecteur transparent est entièrement sec avant de le remettre en place.
- Pour remettre le collecteur en place :
  - Insérez le châssis dans la glissière du collecteur
  - Poussez vers le haut jusqu'à ce qu'il s'enclenche dans son logement.
- Pour refermer la base du collecteur, exercez une pression vers le haut. Assurez-vous que la base du collecteur s'enclenche et que le dispositif de fermeture soit bien dans son logement.

### OBSTRUCTIONS – PROTECTEUR THERMIQUE À RÉENCLÈCHEMENT AUTOMATIQUE

- Cet appareil est doté d'un protecteur thermique à réenclenchement automatique.
- Si un élément est obstrué, l'aspirateur peut surchauffer et s'arrêter automatiquement.
- Si c'est le cas, suivez les instructions ci-dessous à la rubrique « Vérification de la présence d'obstructions ».
- REMARQUE : De gros objets peuvent obstruer les accessoires ou l'embout du tube-rallonge. Si cela se produit, ne pas actionner le bouton de dégagement du tube-rallonge. Mettre l'aspirateur hors tension et le débrancher. Le non-respect de cette directive peut entraîner des blessures.



### VÉRIFICATION DE LA PRÉSENCE D'OBSTRUCTIONS

- Mettre l'aspirateur hors tension et le débrancher avant de vérifier la présence d'obstructions. Le non-respect de cette directive peut entraîner des blessures.
- Ne pas utiliser l'aspirateur pendant 1 à 2 heures avant de vérifier s'il y a une obstruction.
- Prendre garde aux objets pointus lorsque vous éliminez les obstructions.
- Éliminer toute obstruction avant de remettre l'appareil en marche.
- Remettre en place toutes les parties de l'appareil avant de l'utiliser.
- L'élimination des obstructions n'est pas couverte par la garantie.

### INFORMATION RELATIVE À L'ÉLIMINATION DU PRODUIT

- Les produits Dyson sont fabriqués à partir de matériaux hautement recyclables. Le recycler dans la mesure du possible.

### SOUTIEN EN LIGNE

- Pour de l'aide en ligne, des conseils généraux et des informations utiles sur Dyson.  
[www.dysoncanada.ca/support](http://www.dysoncanada.ca/support)

### ASSISTANCE À LA CLIENTÈLE DYSON

#### MERCI D'AVOIR CHOISI D'ACHETER UN APPAREIL DYSON

Après avoir enregistré votre garantie de 5 ans, votre aspirateur Dyson est garanti, pièces et main-d'œuvre, pendant 5 ans à compter de la date d'achat, sous réserve des conditions de la garantie. Si vous avez des questions sur votre appareil Dyson, communiquez avec le service d'assistance téléphonique de Dyson. Ayez en main votre numéro de série et les détails relatifs à l'achat de l'appareil ou communiquez avec nous par l'entremise du site Web de Dyson. La plupart des problèmes peuvent être réglés au téléphone ou par courriel avec l'aide d'un des experts Dyson au service d'assistance téléphonique. Si votre appareil Dyson nécessite une réparation, composez le numéro de la ligne d'assistance téléphonique de Dyson. Nous vous présenterons les options qui s'offrent à vous. Si l'appareil est sous garantie et que la réparation est couverte par cette dernière, la réparation sera effectuée gratuitement. Le numéro de série se trouve sur la plaque signalétique apposée sur le châssis de l'appareil. Le numéro de série se trouve sur la plaque signalétique apposée sur la base de l'appareil.

## VEUILLEZ VOUS ENREGISTRER EN TANT QUE PROPRIÉTAIRE D'UN APPAREIL DYSON

Afin de nous aider à vous offrir un service rapide et efficace, veuillez prendre le temps d'enregistrer votre achat auprès de nous. Vous pouvez le faire de trois façons :

- En ligne à l'adresse [www.dysoncanada.ca](http://www.dysoncanada.ca)
- Par téléphone en appelant la ligne d'assistance Dyson au 1-877-397-6622.
- Par la poste en remplissant le formulaire de garantie ci-joint et en nous l'envoyant.

Ceci vous permet de confirmer que vous êtes le propriétaire de votre appareil en cas de sinistre et nous permet de communiquer avec vous au besoin.

## GARANTIE LIMITÉE DE CINQ ANS

### CONDITIONS DE LA GARANTIE LIMITÉE DYSON DE 5 ANS

### CE QUI EST COUVERT

- Votre appareil Dyson est garanti contre tout défaut de matériau d'origine et de main-d'œuvre pendant une période de 5 ans à compter de la date d'achat, en usage domestique normal, conformément au guide d'utilisation Dyson. Veuillez conserver votre preuve d'achat. Si vous n'avez plus votre preuve d'achat, votre garantie prend effet à 90 jours à compter de la date de fabrication, selon les dossiers de Dyson. Cette garantie vous offre, sans aucuns frais supplémentaires, la couverture pièces et main-d'œuvre requise afin que votre appareil fonctionne correctement pendant la durée de validité de la garantie. Le remplacement de toute pièce sur votre appareil ne prolonge en aucun cas la durée de la garantie. Toute pièce retournée devient la propriété de Dyson. Pour plus d'information, veuillez composer le numéro de la ligne d'assistance Dyson, soit le 1-877-397-6622.
- La garantie est valable uniquement dans le pays dans lequel l'appareil a été acheté.
- La présente garantie limitée est soumise aux conditions suivantes :

### CE QUI N'EST PAS COUVERT

Dyson Canada Limited décline toute responsabilité pour les coûts, dommages ou réparations engendrés par les situations découlant :

- de l'achat d'un appareil auprès d'un détaillant non autorisé;
- de toute utilisation ou manipulation négligente, d'une mauvaise utilisation, d'un manque d'entretien ou de toute utilisation non conforme au guide d'utilisation Dyson;
- de toute utilisation de l'appareil à des fins autres qu'un usage domestique normal au Canada, c'est-à-dire à des fins commerciales ou de location;
- d'une utilisation de pièces non recommandées par le guide d'utilisation;
- de l'utilisation de pièces et d'accessoires autres que ceux fournis ou recommandés par Dyson;
- de facteurs externes tels que les intempéries, des défaillances électriques ou des surtensions;
- de réparations ou modifications effectuées par des parties ou représentants non autorisés;
- de l'élimination des obstructions sur l'appareil ou du lavage du filtre;
- de l'usure normale, y compris l'usure normale des pièces telles que le collecteur transparent, le filtre, la brosse et le cordon d'alimentation (ou sur un élément où l'on constate des dommages externes ou ayant fait l'objet d'une mauvaise utilisation), de tout dommage causé aux tapis ou aux sols en raison d'un non-respect du guide d'utilisation Dyson ou du fait d'avoir omis de désactiver la brosse;
- Si la pile se décharge plus rapidement, cela est dû au fait qu'elle est usée ou trop vieille (le cas échéant);
- d'un dommage causé par une utilisation non conforme aux indications contenues sur la plaque signalétique;
- de l'utilisation de l'appareil sur des surfaces mouillées, en placoplâtre ou des surfaces où il y a des gravats, des cendres, du plâtre ou des liquides.
- En outre, la garantie limitée ne s'applique pas à tout appareil dont le numéro de série a été modifié ou supprimé.

## RÉPARATIONS SOUS GARANTIE

- Veuillez remplir le formulaire de garantie et nous le retourner, ou enregistrer votre produit en ligne à l'adresse [www.dysoncanada.ca](http://www.dysoncanada.ca)
- Les conditions de la garantie stipulent que vous devez, avant que soit faite la réparation, composer le numéro du service d'assistance téléphonique de Dyson en ayant en main le nom ou le numéro de modèle de votre appareil, le numéro de série, la date et l'endroit où vous avez effectué l'achat.
- Veuillez conserver le coupon de caisse dans un endroit sûr afin de ne pas perdre ces renseignements.
- Toutes les réparations sont effectuées par Dyson Canada Limited ou un de ses représentants autorisés.
- Toute pièce défectueuse remplacée devient la propriété de Dyson.
- Les réparations effectuées sous garantie ne prolongeront pas la période de la présente garantie.
- Si votre appareil ne fonctionne pas correctement, communiquez avec le service d'assistance téléphonique de Dyson au 1-877-397-6622. La plupart des problèmes peuvent être réglés au téléphone avec l'aide d'un membre du personnel qualifié du service d'assistance téléphonique de Dyson.

## RESTRICTIONS ET EXCLUSIONS DE GARANTIE

- Toutes les garanties implicites liées à votre appareil, y compris, mais sans s'y limiter, les garanties de qualité marchande ou de convenance à un usage particulier sont limitées à la durée de la présente garantie. Cette limitation n'est pas permise dans certaines provinces et territoires et, par conséquent, pourrait ne pas s'appliquer à vous.
- La présente garantie vous confère des droits juridiques particuliers. Vous pouvez aussi avoir d'autres droits selon la province ou le territoire où vous résidez.
- La présente garantie limitée est incessible.
- La présente garantie limitée est disponible uniquement au Canada.

## RÉSUMÉ DE LA GARANTIE

- Vous devez fournir une preuve d'achat ou de livraison pour toute réparation effectuée sur votre appareil. Sans présentation de cette preuve, toute réparation effectuée vous sera facturée. Veuillez conserver votre reçu.
- Toutes les réparations seront effectuées par Dyson Canada Limited ou un de ses

représentants autorisés.

- Toutes les pièces remplacées par Dyson deviennent la propriété de Dyson Canada Limited.
- La réparation ou le remplacement de votre appareil pendant la période de garantie ne prolonge pas la période de ladite garantie.
- La présente garantie offre des avantages supplémentaires et n'a aucune incidence sur vos droits prévus par la loi à titre de consommateur.

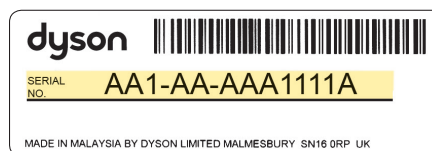
## RENSEIGNEMENTS IMPORTANTS SUR LA PROTECTION DES DONNÉES

- Si vous décidez de ne plus recevoir de communications de notre part, vos renseignements personnels seront conservés par Dyson Canada Limited ou d'autres sociétés au nom de Dyson Canada Limited afin que nous puissions vous aider plus rapidement dans le cadre de notre service d'assistance téléphonique. De temps à autre, Dyson Canada Limited peut vous envoyer des offres spéciales et des nouvelles au sujet de ses plus récentes innovations.
- Pour obtenir plus d'information sur nos pratiques relatives à la collecte de données, veuillez consulter la politique de confidentialité de Dyson Canada Limited à l'adresse [www.dysoncanada.ca](http://www.dysoncanada.ca)

## INFORMATION RELATIVE À LA CONFORMITÉ

Declarations d'Industry Canada.

Veuillez noter le numéro de série pour référence ultérieure.



Cette illustration est présentée à titre d'exemple.











#### **DYSON HELPLINE**

If you have a question about your Dyson appliance, call the Dyson Helpline with your serial number and details of where and when you purchased the appliance, or contact us via the Dyson website.

#### **LIGNE D'ASSISTANCE DYSON**

Si vous avez des questions sur votre appareil Dyson, communiquez avec le service d'assistance téléphonique de Dyson. Ayez en main votre numéro de série et les détails relatifs à l'achat de l'appareil ou communiquez avec nous par l'entremise du site Web de Dyson.

#### **DYSON CONTACT DETAILS**

**Website:** [www.dysoncanada.ca](http://www.dysoncanada.ca)

**Dyson Helpline:** 1-877-397-6622.

Monday - Friday 8am – 7pm (EST).

Saturday 9am – 5pm (EST).

Closed Sundays and civic holidays

#### **COORDONNÉES**

**Site Web :** [www.dysoncanada.ca](http://www.dysoncanada.ca)

**Ligne d'assistance Dyson :** 1-877-397-6622.

Du lundi au vendredi – de 8 h à 19 h (HNE).

Le samedi – de 9 h à 17 h (HNE). Fermé les dimanches et pendant les congés officiels