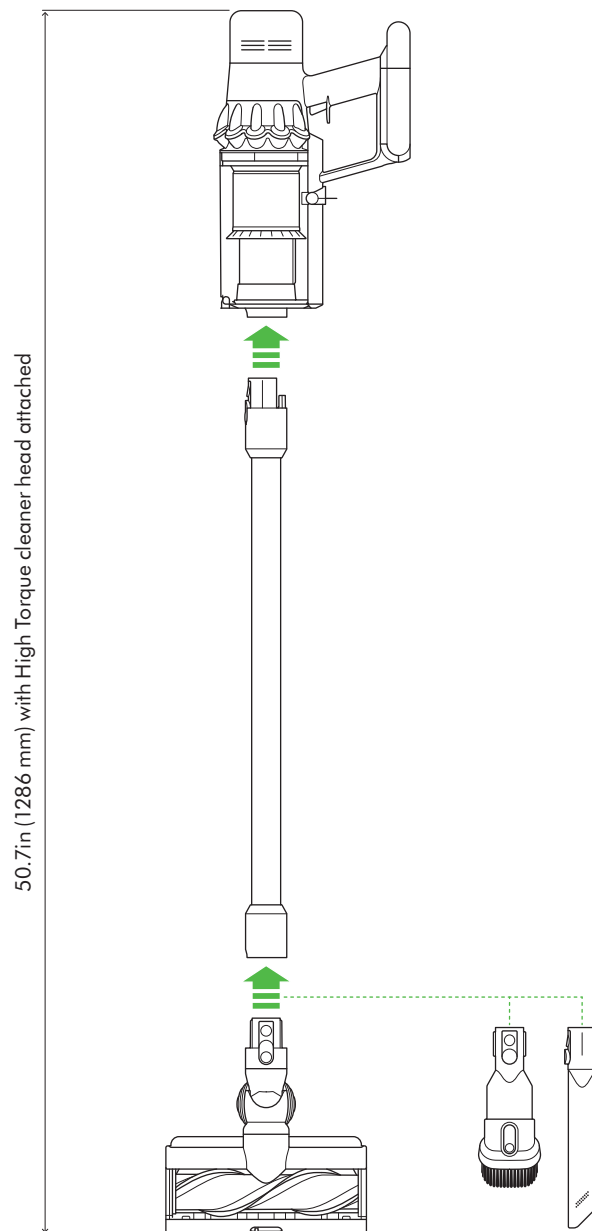


TECHNICAL SPECIFICATION

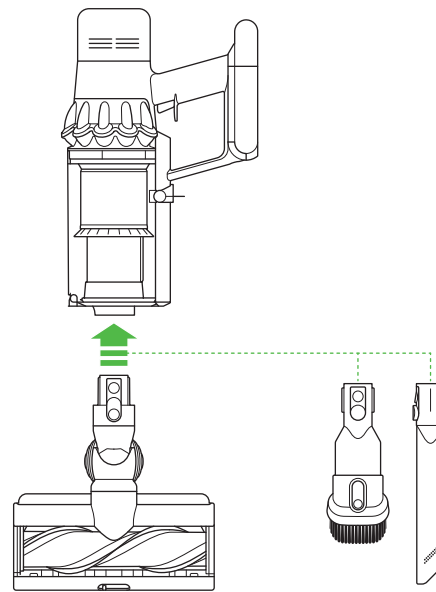


Cord-free

CORD-FREE VACUUM



HAND-HELD VACUUM



Machine dimensions (Cord-free vacuum)

Length: 50.7in (1286 mm), Body width: 9.8in (250 mm),
High Torque cleaner head: 10.3in (261 mm)

General

Sound power level: Handheld Boost mode 88 dBA

Max Motor speed: 125,000 rpm

Operating power wattage: 545W

Construction

Polycarbonate

ABS

Aluminum

Specification

Bin Volume: 0.20 gallons (0.76L)

Weight handheld: (body) 4.41lbs (2.00kg)

Weight: (body + wand + cleaner head) 6.73lbs (3.05kg)

Product dimensions: (L x W x H) 50.7 x 9.8 x 10.3 in (1286 x 250 x 261 mm)

Wand Length: 25.18in (655.18 mm)

Battery

Charge: 4.5 hours

Battery Voltage: (Boost) 29.4 (Auto/Medium) 25.2 (Eco) 18.56

Filter

Lifetime washable

Filtration/machine filtration: F1977

Wash cycle: 1 month

Logistics

Approx box weight: 14.3 lbs (6.5kg)

Packaged dimensions:

Without Floordock in SKU: 10.7 x 6.1 x 35.5 in (271 x 154 x 900 mm)

Part Number: 268347-01

UPC: 885609016757

Standard warranty

2 year warranty – parts



Cleaning tools included in the box



High Torque cleaner head



Mini motorized tool



Combination and crevice tools



Mini soft dusting brush



Stubborn dirt brush