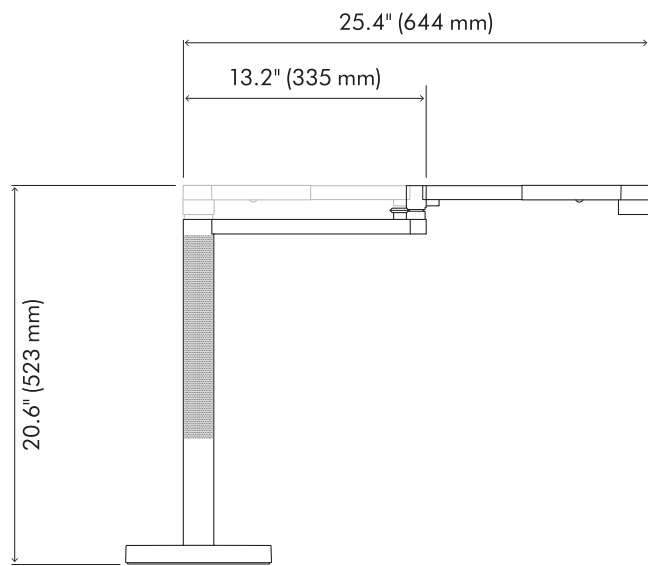


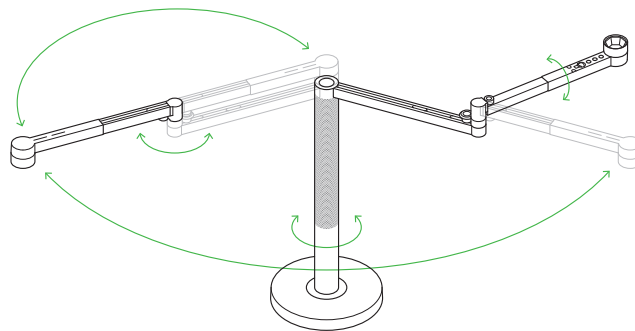
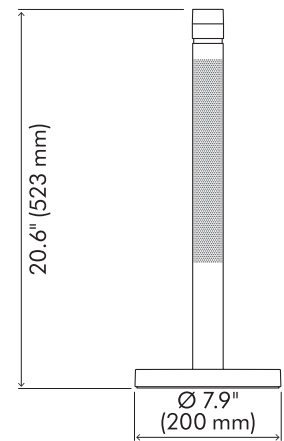
TECHNICAL SPECIFICATION



FRONT ELEVATION



SIDE ELEVATION



Dimensions with arm not extended

Height 20.6" (523 mm) Width 7.9" (200 mm) Depth 16.3" (414 mm)

For further information please contact Dyson.

866-236-3884

commercial.sales@dyson.com

www.dysoncanada.ca

dyson lightcycle morph desk

Electrical

Input voltage / Frequency: 100-240V 50/60Hz

Rated power: 11.2W

Power supply cord length: 10.5ft (3.2m)

Electrical class: Class 2

Optical

Light source: LED

Light output: 850lm¹

Light output ratio: 80%

Luminous efficacy: 75lm/w

LED life time: 181,000 hours²

Colour temperature: 2700K – 6500K

CRI: 90 or over

R9: 48 MIN

Standby power consumption: <0.5W

IP rating: Indoor use only

Operating temperature range: 0-40°C, 32-104°F

Flicker: <1%³

Features

USB-C charging point: 1.5A at 5V

Bluetooth® wireless technology

Construction

Materials: Aluminum / Copper / Steel / Polycarbonate Plastic

Operation

Precision dimming

Logistics

Net weight: 7.7lb (3.5kg)

Packaged weight: 12.9lb (5.85kg)

Packaged dimensions: 24.1" (613 mm) (L) x 17.3" (440 mm) (W) x 3.5" (91 mm) (H)

Accreditation

Complies with

UL 153

CSA C22.2.#250.4

IEC/EN 60598-1, IEC/EN 60598-2-4

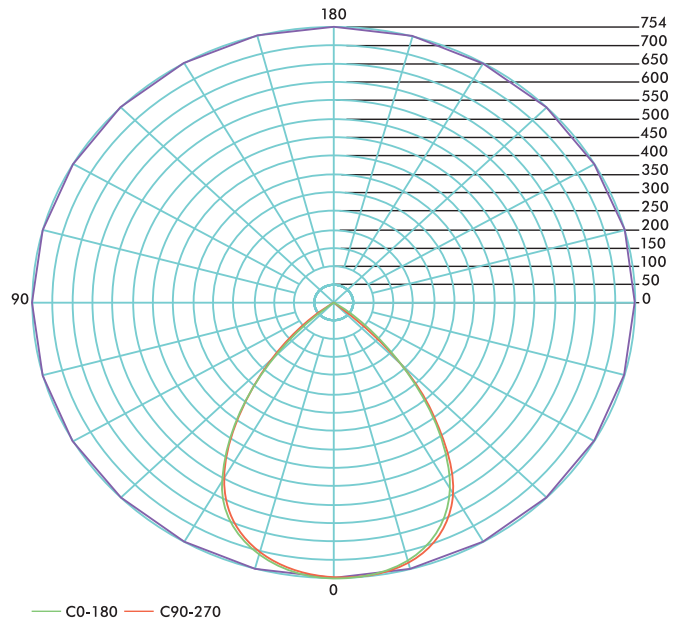
GB 7000.1, GB7000.204; GB4943.1

IEC 60598-1, IEC 60598-2-4

Standard warranty

5 year (parts only)

Polar plot



Product range

White/Silver



Black/Black



1. Values may vary in real life and with Correlated Colour Temperature (CCT) setting. 2. LED-life calculation is based on L70 measurement according to IEC 62717, with an estimation of 8 hours' usage per day. Real-life results may vary. 3. Tested at full brightness according to IEEE 1789 - 2015 - Recommended Practices for Modulating Current in High-Brightness LEDs for Mitigating Health Risks to Viewers.

The Bluetooth® word mark and logos are registered trade marks owned by the Bluetooth SIG, Inc. and any use of such marks by Dyson is under license.

For further information please contact Dyson.

866-236-3884

commercial.sales@dyson.com

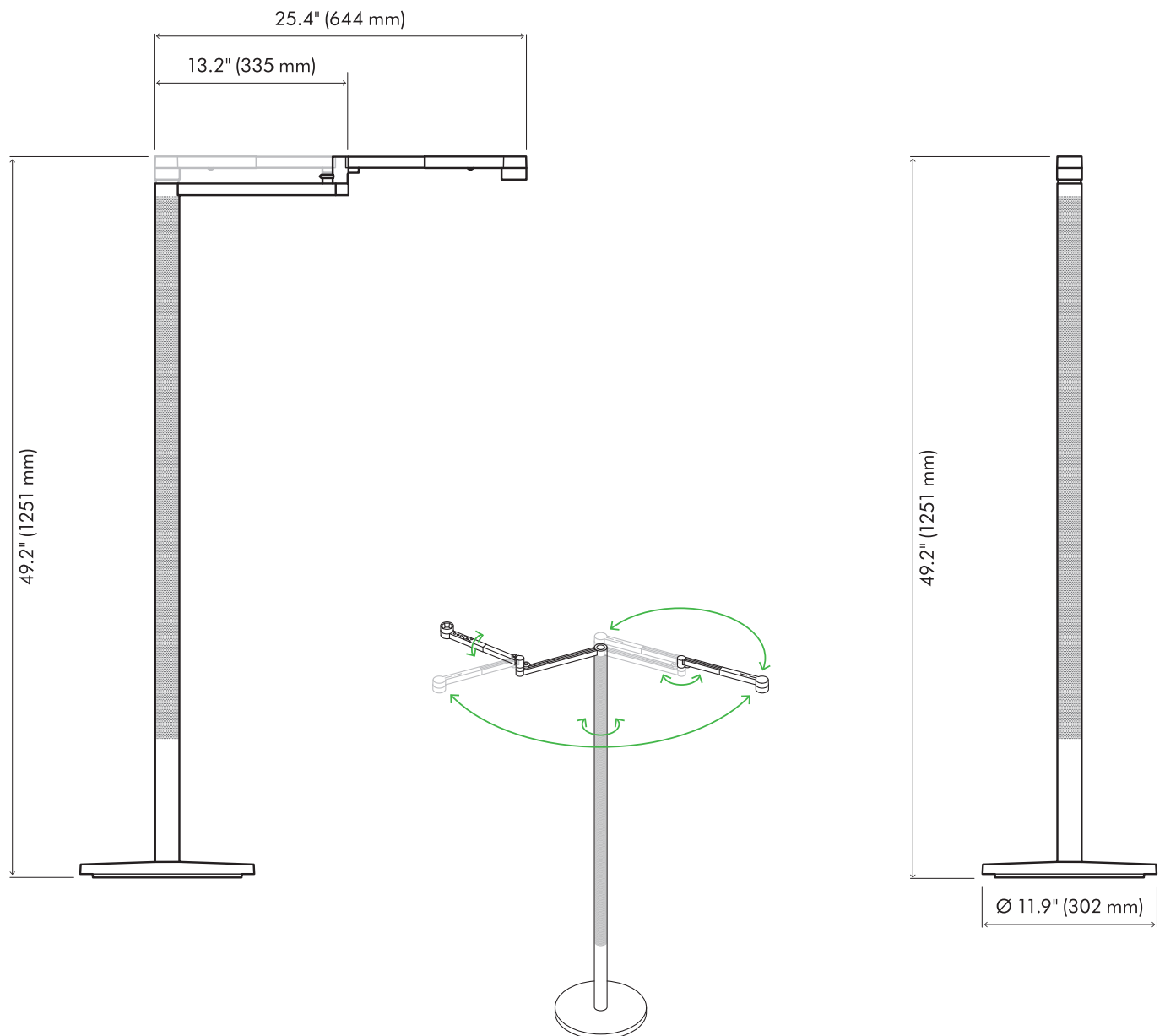
www.dysoncanada.ca

TECHNICAL SPECIFICATION



FRONT ELEVATION

SIDE ELEVATION



Dimensions with arm not extended

Height 49.2" (1251 mm) Width 11.9" (302 mm) Depth 18.3" (465 mm)

For further information please contact Dyson.

866-236-3884

commercial.sales@dyson.com

www.dysoncanada.ca

dyson lightcycle morph floor

Electrical

Input voltage / Frequency: 100-240V 50/60Hz

Rated power: 11.2W

Power supply cord length: 10.5ft (3.2m)

Electrical class: Class 2

Optical

Light source: LED

Light output: 850lm¹

Light output ratio: 80%

Luminous efficacy: 75lm/w

LED life time: 181,000 hours²

Colour temperature: 2700K – 6500K

CRI: 90 or over

R9: 48 MIN

Standby power consumption: <0.5W

IP rating: Indoor use only

Operating temperature range: 0-40°C, 32-104°F

Flicker: <1%³

Features

USB-C charging point: 1.5A at 5V

Bluetooth® wireless technology

Construction

Materials: Aluminum / Copper / Steel / Polycarbonate Plastic

Operation

Precision dimming

Logistics

Net weight: 13.4lb (6.1kg)

Packaged weight: 26.4lb (11.95kg)

Packaged dimensions: 52" (1320 mm) (L) x 17.3" (440 mm) (W) x 3.6" (115 mm) (H)

Accreditation

Complies with

UL 153

CSA C22.2.#250.4

IEC/EN 60598-1, IEC/EN 60598-2-4

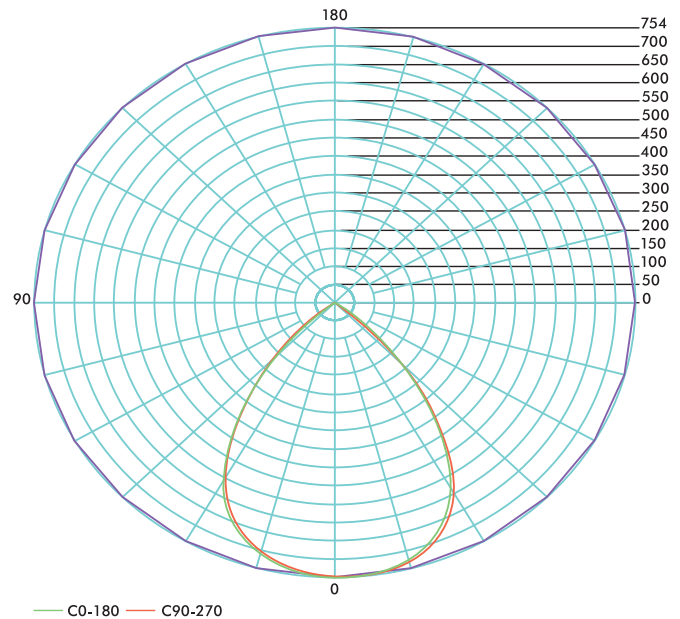
GB 7000.1, GB7000.204; GB4943.1

IEC 60598-1, IEC 60598-2-4

Standard warranty

5 year (parts only)

Polar plot



Product range

White/Silver



Black/Black



1. Values may vary in real life and with Correlated Colour Temperature (CCT) setting. 2. LED-life calculation is based on L70 measurement according to IEC 62717, with an estimation of 8 hours' usage per day. Real-life results may vary. 3. Tested at full brightness according to IEEE 1789 - 2015 - Recommended Practices for Modulating Current in High-Brightness LEDs for Mitigating Health Risks to Viewers.

For further information please contact Dyson.

866-236-3884

commercial.sales@dyson.com

www.dysoncanada.ca