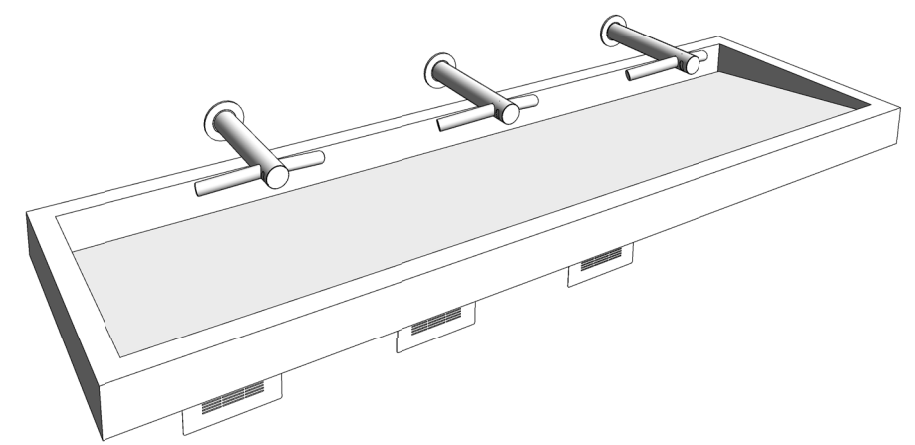
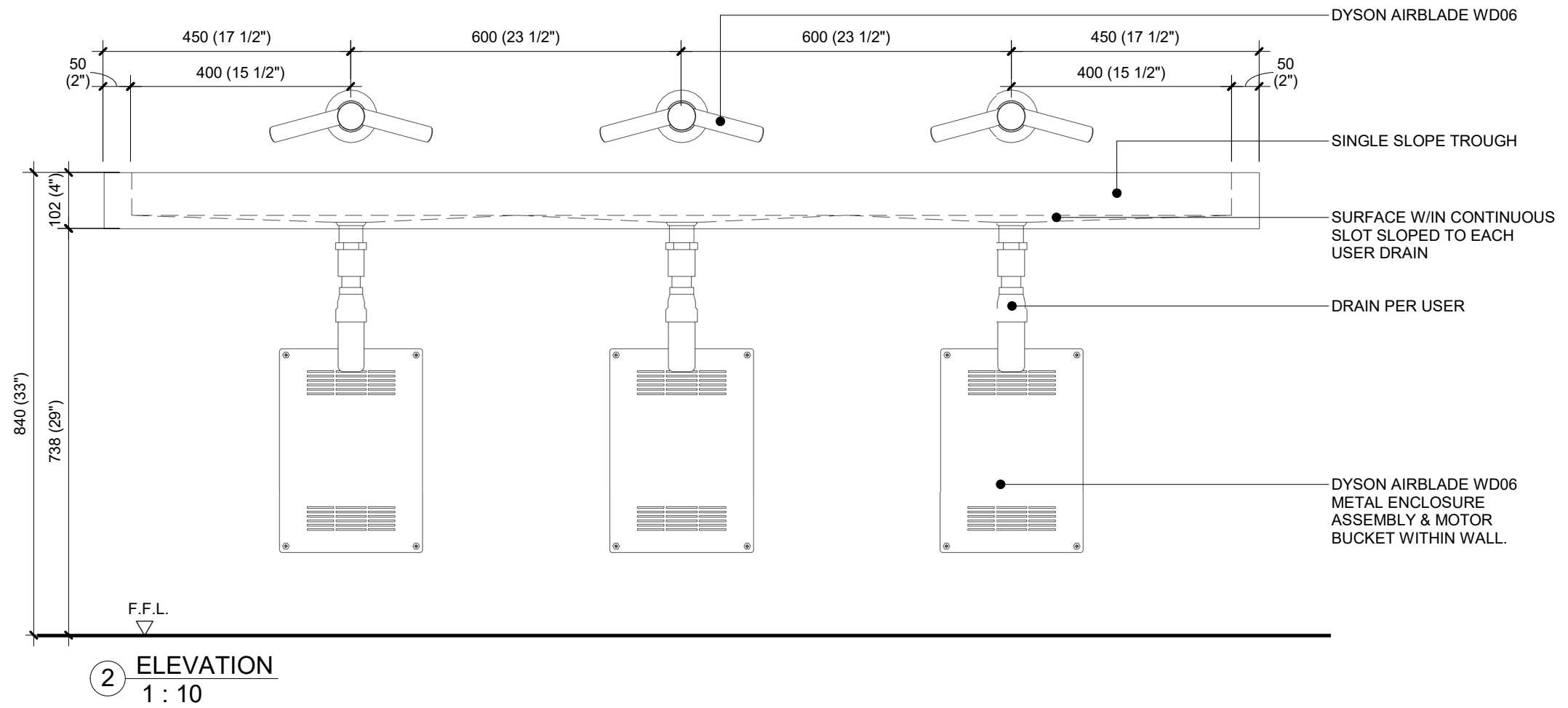


CONSULT LOCAL ACCESSIBILITY CODES AND REGULATIONS FOR RELEVANT INSTALLATION GUIDELINES. CONFORMITY AND COMPLIANCE IS THE RESPONSIBILITY OF THE INSTALLER. MAKE SURE THAT THE UNIT IS INSTALLED IN COMPLIANCE WITH ALL BUILDING CODES AND/OR REGULATIONS.

THESE DRAWINGS ARE INTENDED TO COMMUNICATE DESIGN INTENT ONLY AND ARE NOT TO BE USED FOR PERMIT, CONSTRUCTION OR FABRICATION PURPOSES.

© DYSON CANADA INC.



**MULTIPLE AIRBLADE WD06 WITH SINGLE SLOPE TROUGH (SHEET 1 OF 2)**

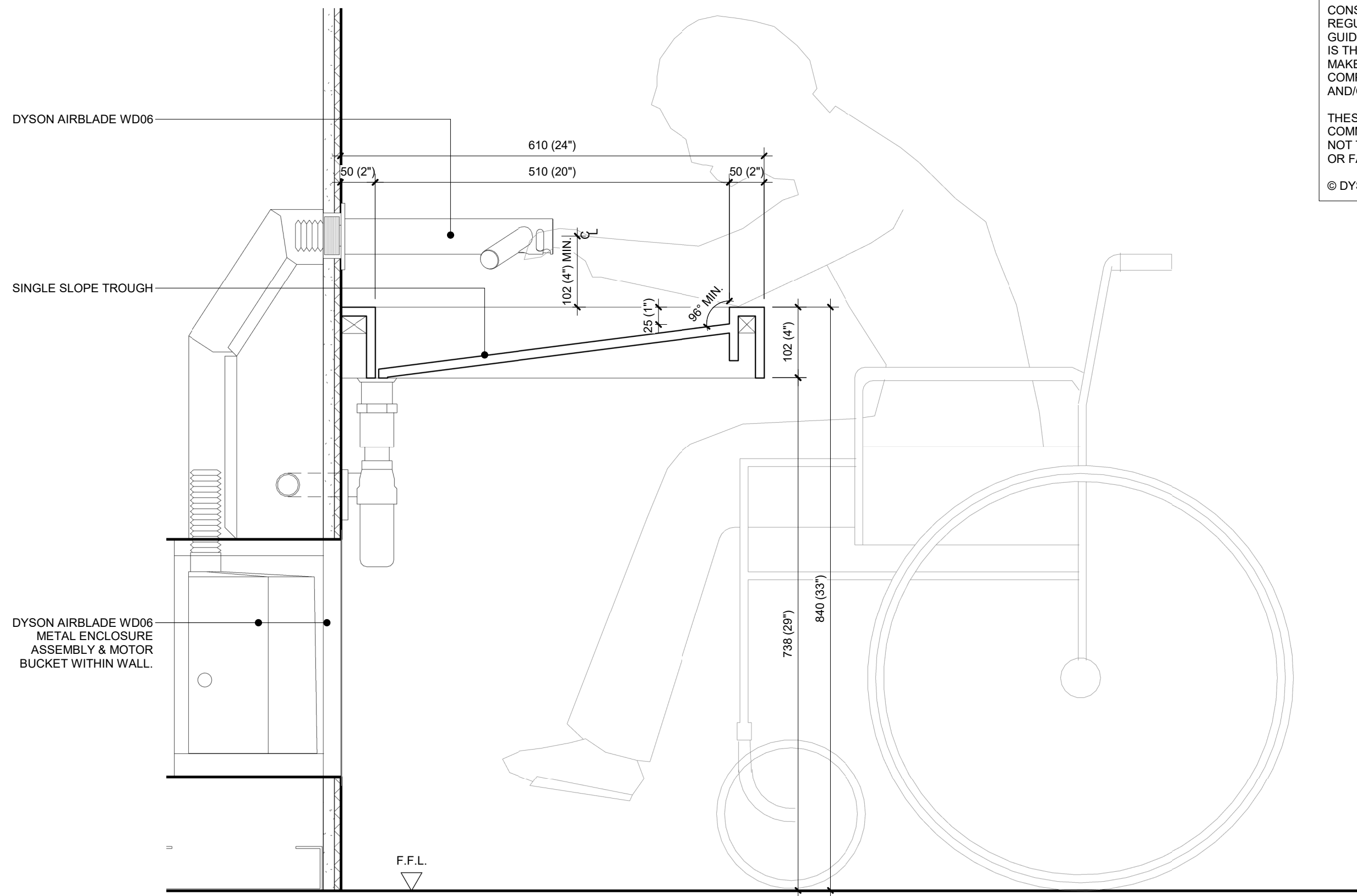
**SK-07**

Date MARCH 2021

CONSULT LOCAL ACCESSIBILITY CODES AND REGULATIONS FOR RELEVANT INSTALLATION GUIDELINES. CONFORMITY AND COMPLIANCE IS THE RESPONSIBILITY OF THE INSTALLER. MAKE SURE THAT THE UNIT IS INSTALLED IN COMPLIANCE WITH ALL BUILDING CODES AND/OR REGULATIONS.

THESE DRAWINGS ARE INTENDED TO COMMUNICATE DESIGN INTENT ONLY AND ARE NOT TO BE USED FOR PERMIT, CONSTRUCTION OR FABRICATION PURPOSES.

© DYSON CANADA INC.



DYSON AIRBLADE WD06

SINGLE SLOPE TROUGH

DYSON AIRBLADE WD06  
METAL ENCLOSURE  
ASSEMBLY & MOTOR  
BUCKET WITHIN WALL.

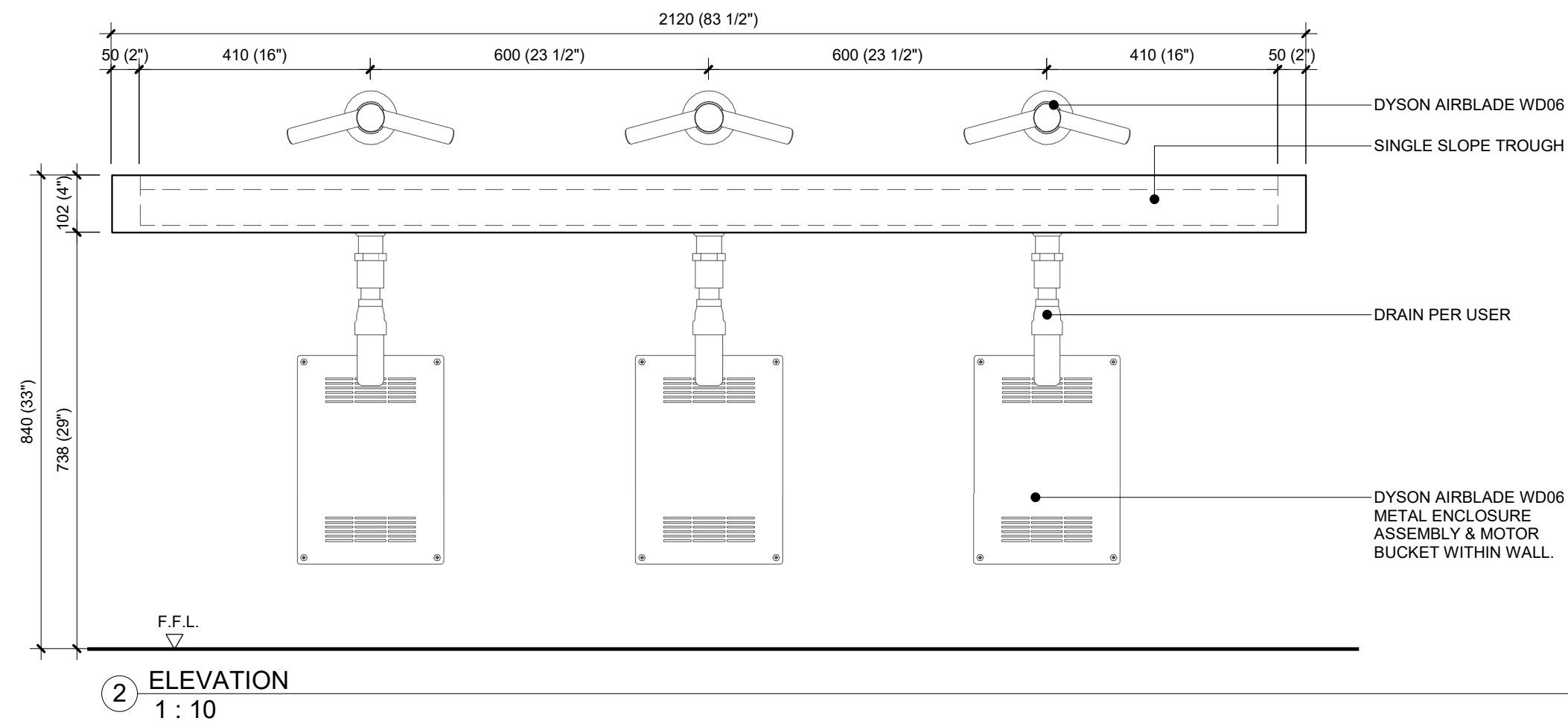
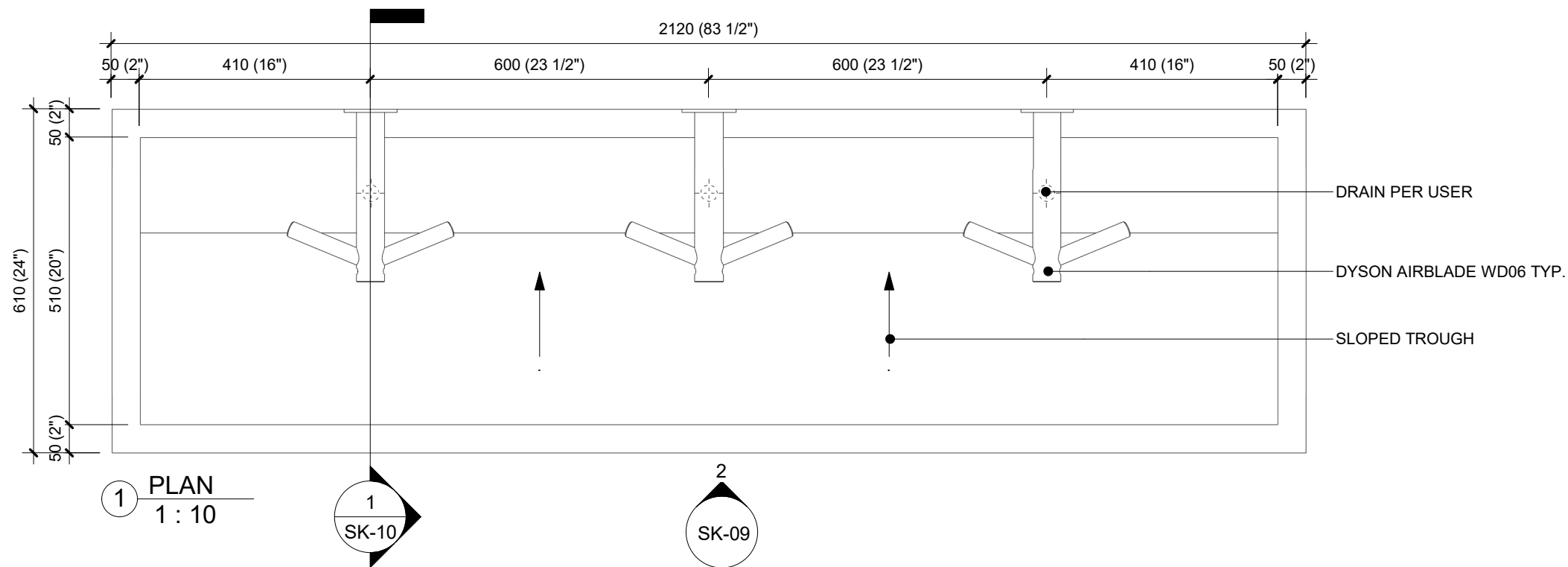
1 SECTION  
N.T.S.



MULTIPLE AIRBLADE WD06 WITH SINGLE SLOPE DRAIN TROUGH (SHEET 2 OF 2)

SK-08

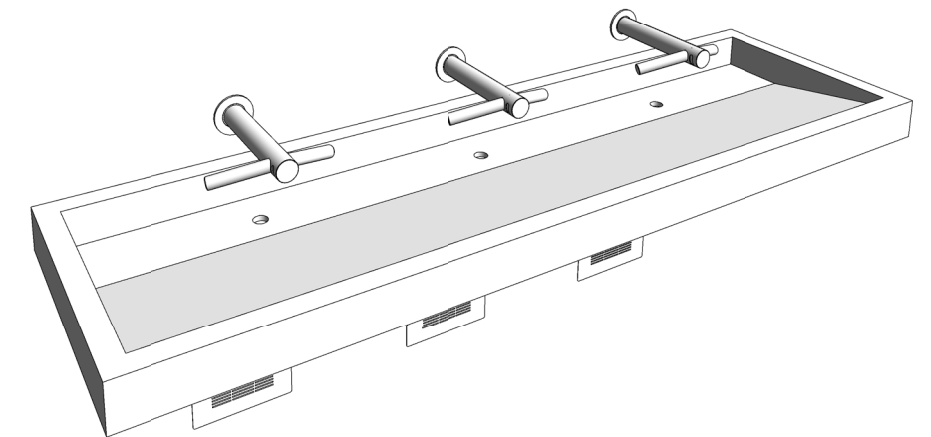
Date MARCH 2021



CONSULT LOCAL ACCESSIBILITY CODES AND REGULATIONS FOR RELEVANT INSTALLATION GUIDELINES. CONFORMITY AND COMPLIANCE IS THE RESPONSIBILITY OF THE INSTALLER. MAKE SURE THAT THE UNIT IS INSTALLED IN COMPLIANCE WITH ALL BUILDING CODES AND/OR REGULATIONS.

THESE DRAWINGS ARE INTENDED TO COMMUNICATE DESIGN INTENT ONLY AND ARE NOT TO BE USED FOR PERMIT, CONSTRUCTION OR FABRICATION PURPOSES.

© DYSON CANADA INC.



**dyson**

**MULTIPLE AIRBLADE WD06 WITH SINGLE SLOPE FLAT DRAIN TROUGH (SHEET 1 OF 2)**

**SK-09**

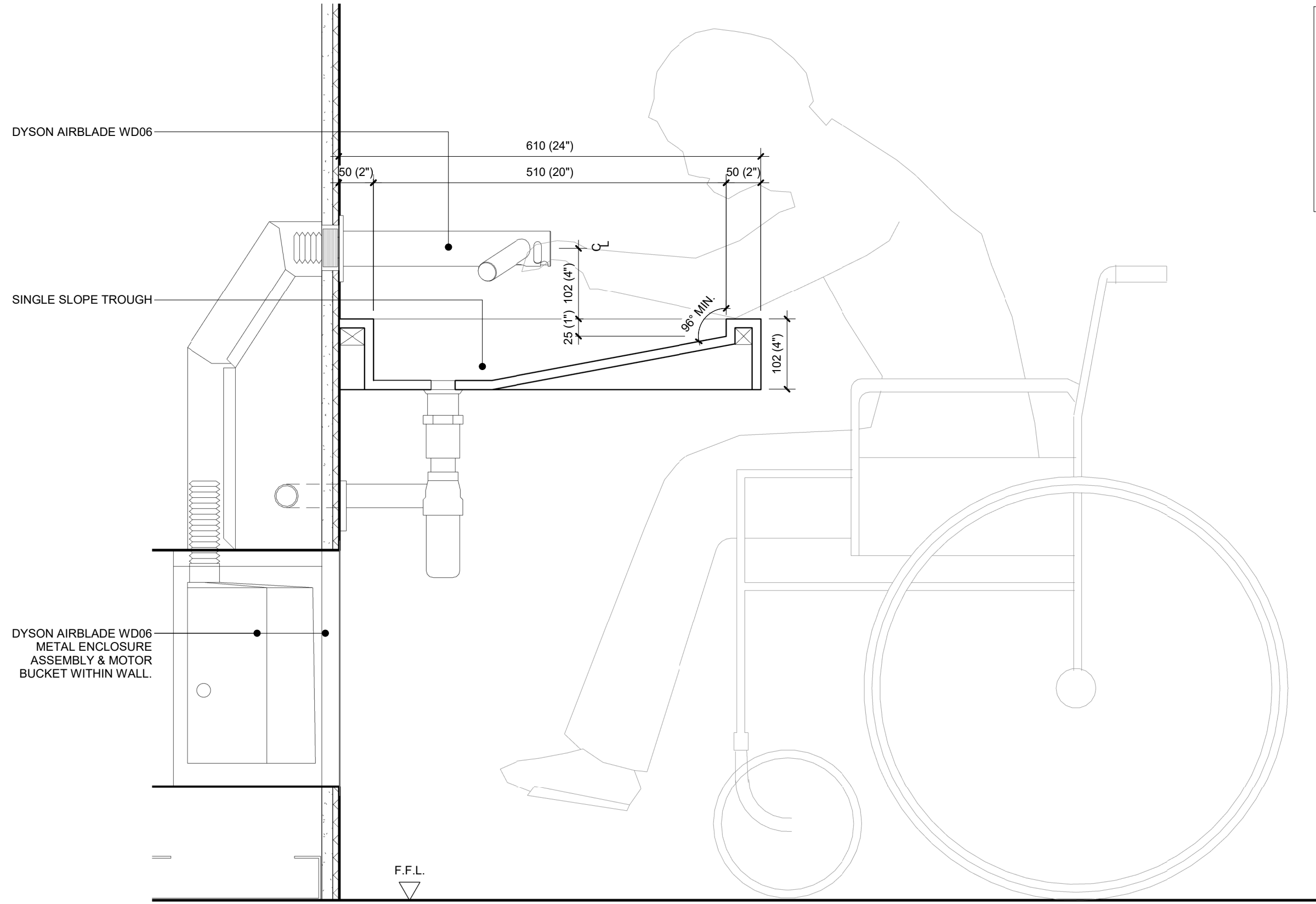
Date

MARCH 2021

CONSULT LOCAL ACCESSIBILITY CODES AND REGULATIONS FOR RELEVANT INSTALLATION GUIDELINES. CONFORMITY AND COMPLIANCE IS THE RESPONSIBILITY OF THE INSTALLER. MAKE SURE THAT THE UNIT IS INSTALLED IN COMPLIANCE WITH ALL BUILDING CODES AND/OR REGULATIONS.

THESE DRAWINGS ARE INTENDED TO COMMUNICATE DESIGN INTENT ONLY AND ARE NOT TO BE USED FOR PERMIT, CONSTRUCTION OR FABRICATION PURPOSES.

© DYSON CANADA INC.



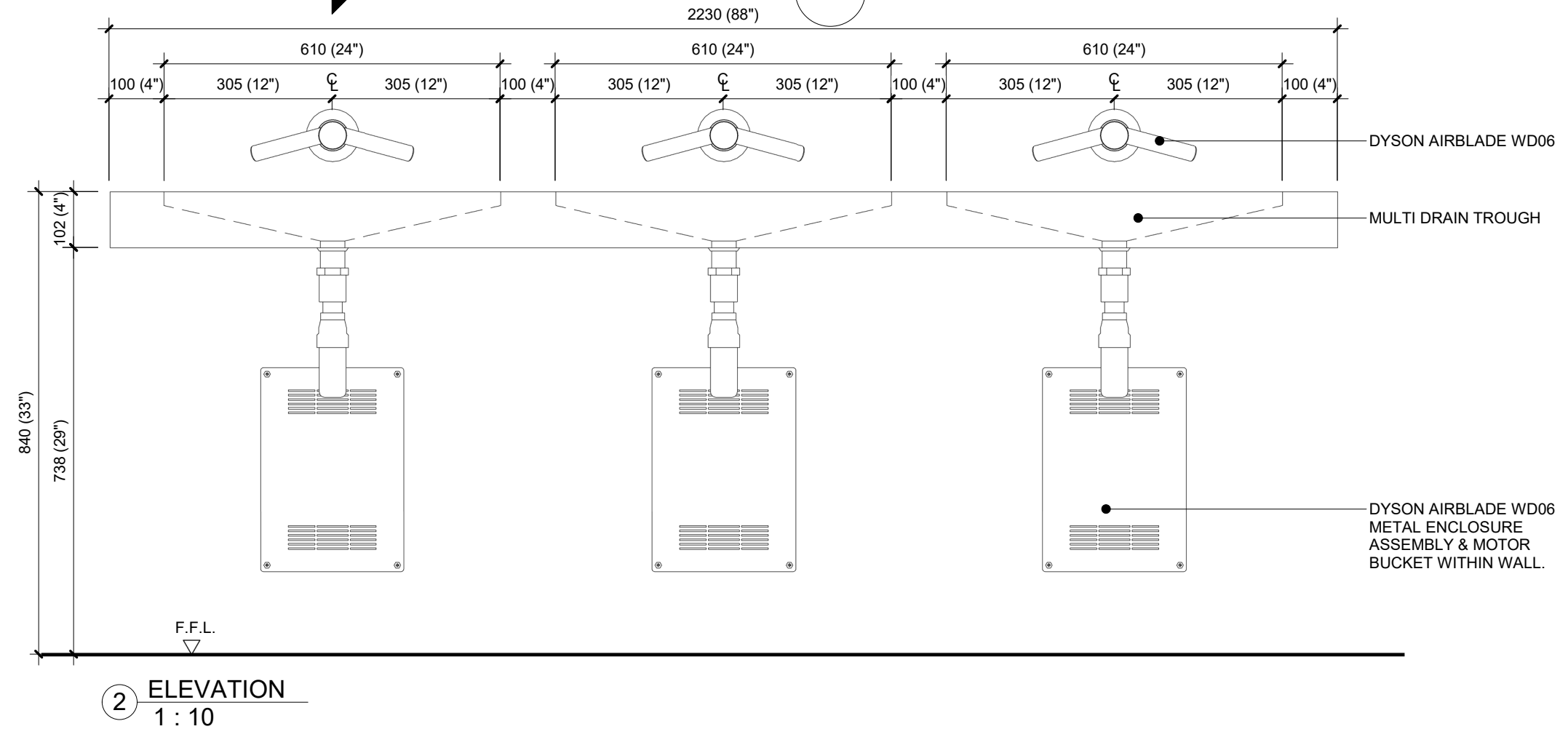
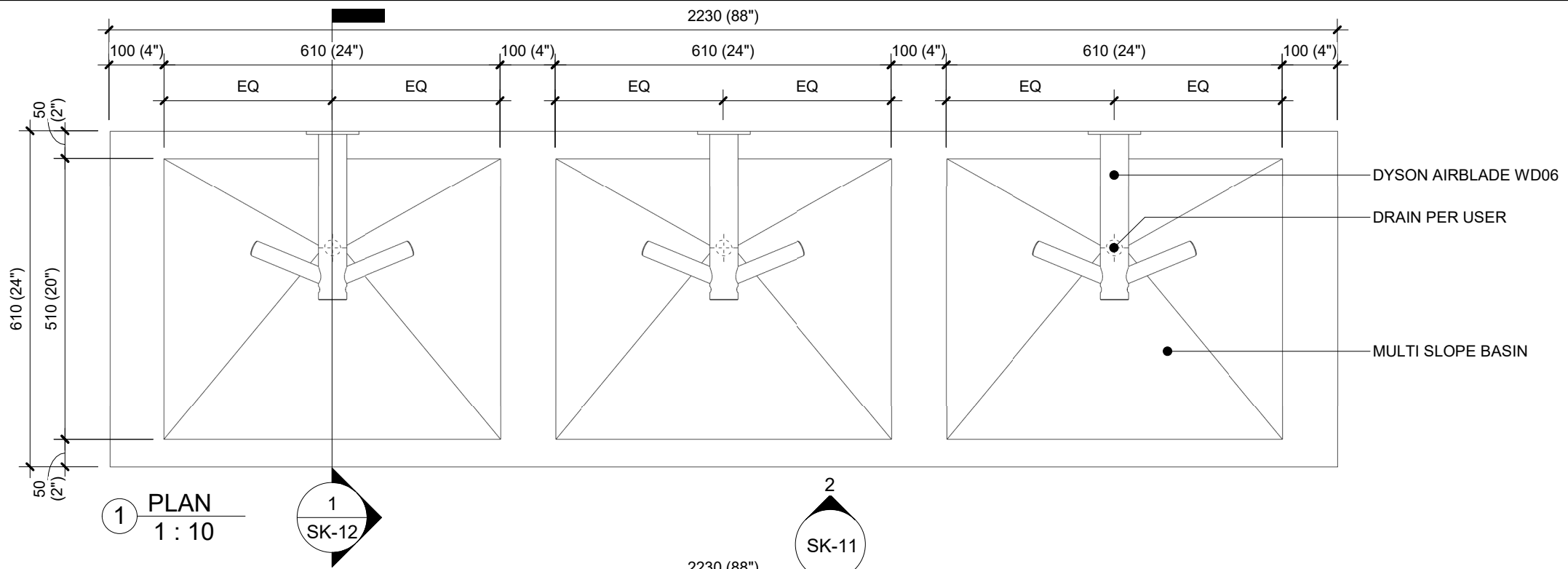
① SECTION  
N.T.S.

**MULTIPLE AIRBLADE WD06 WITH SINGLE SLOPE FLAT DRAIN TROUGH (SHEET 2 OF 2)**



**SK-10**

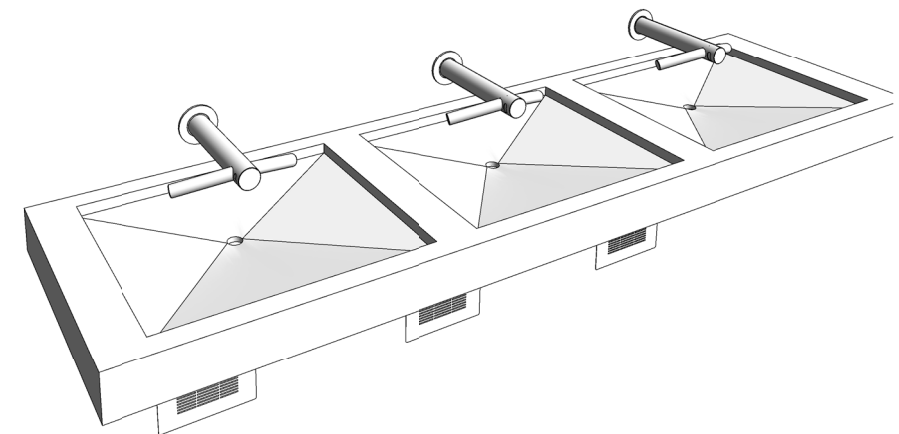
Date MARCH 2021



CONSULT LOCAL ACCESSIBILITY CODES AND REGULATIONS FOR RELEVANT INSTALLATION GUIDELINES. CONFORMITY AND COMPLIANCE IS THE RESPONSIBILITY OF THE INSTALLER. MAKE SURE THAT THE UNIT IS INSTALLED IN COMPLIANCE WITH ALL BUILDING CODES AND/OR REGULATIONS.

THESE DRAWINGS ARE INTENDED TO COMMUNICATE DESIGN INTENT ONLY AND ARE NOT TO BE USED FOR PERMIT, CONSTRUCTION OR FABRICATION PURPOSES.

© DYSON CANADA INC.



MULTIPLE AIRBLADE WD06 WITH MULTI SLOPE DRAIN TROUGH (SHEET 1 OF 2)

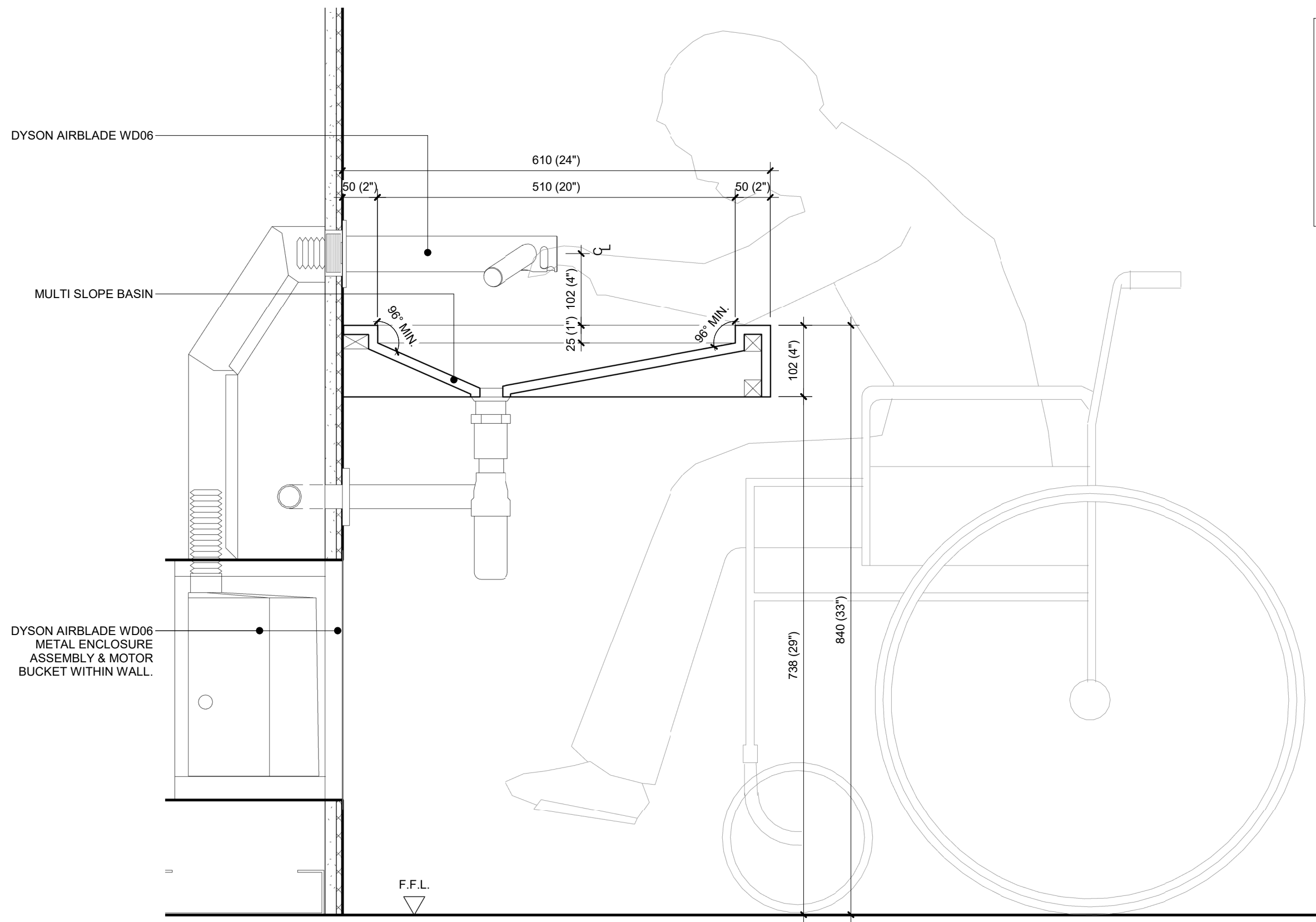
SK-11

Date MARCH 2021

CONSULT LOCAL ACCESSIBILITY CODES AND REGULATIONS FOR RELEVANT INSTALLATION GUIDELINES. CONFORMITY AND COMPLIANCE IS THE RESPONSIBILITY OF THE INSTALLER. MAKE SURE THAT THE UNIT IS INSTALLED IN COMPLIANCE WITH ALL BUILDING CODES AND/OR REGULATIONS.

THESE DRAWINGS ARE INTENDED TO COMMUNICATE DESIGN INTENT ONLY AND ARE NOT TO BE USED FOR PERMIT, CONSTRUCTION OR FABRICATION PURPOSES.

© DYSON CANADA INC.



① SECTION  
N.T.S.

MULTIPLE AIRBLADE WD06 WITH MULTI SLOPE DRAIN TROUGH (SHEET 2 OF 2)



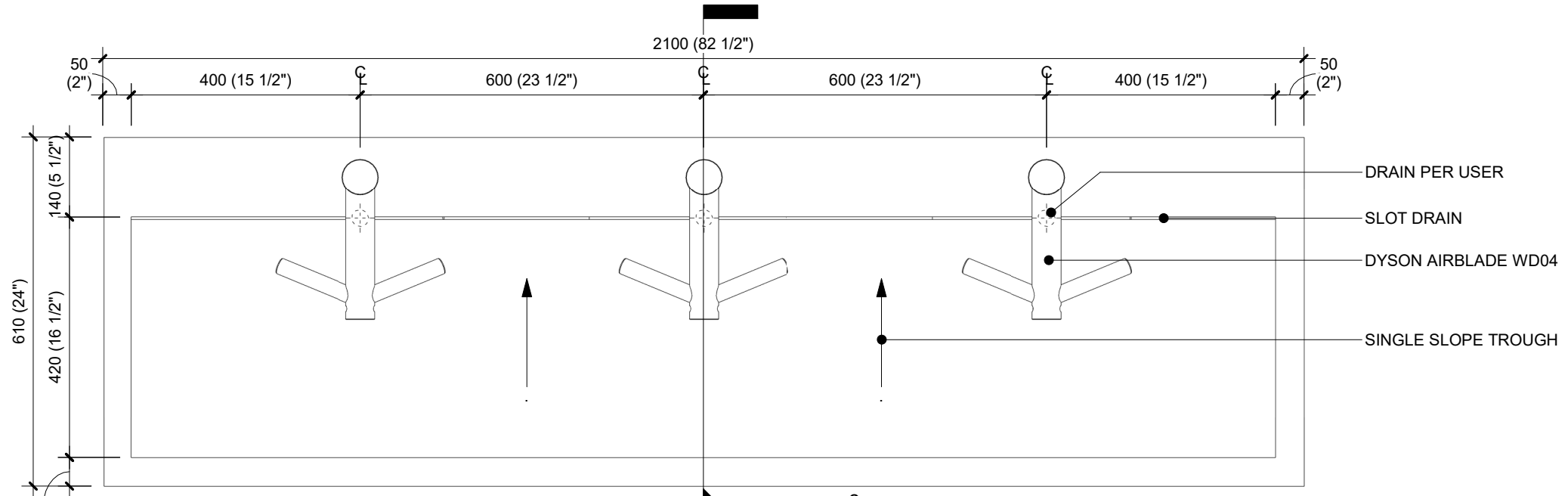
SK-12

Date MARCH 2021

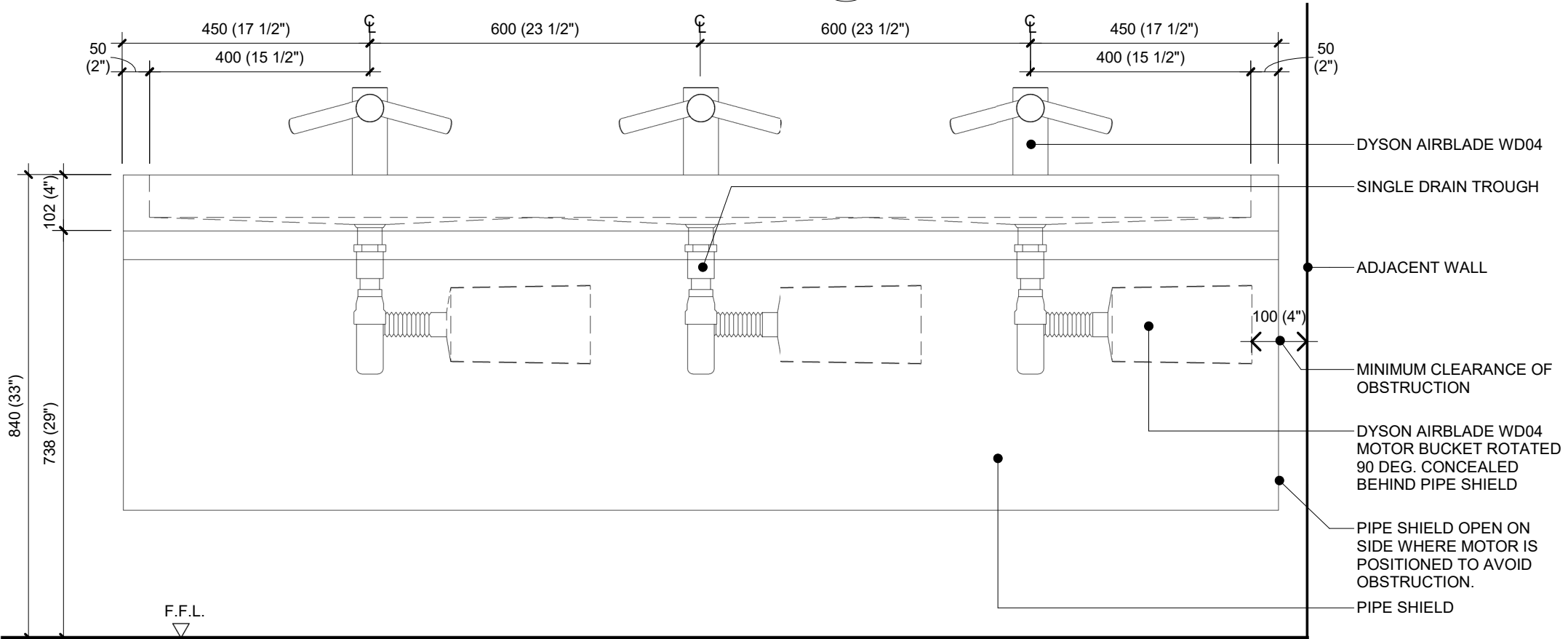
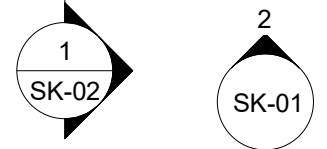
CONSULT LOCAL ACCESSIBILITY CODES AND REGULATIONS FOR RELEVANT INSTALLATION GUIDELINES. CONFORMITY AND COMPLIANCE IS THE RESPONSIBILITY OF THE INSTALLER. MAKE SURE THAT THE UNIT IS INSTALLED IN COMPLIANCE WITH ALL BUILDING CODES AND/OR REGULATIONS.

THESE DRAWINGS ARE INTENDED TO COMMUNICATE DESIGN INTENT ONLY AND ARE NOT TO BE USED FOR PERMIT, CONSTRUCTION OR FABRICATION PURPOSES.

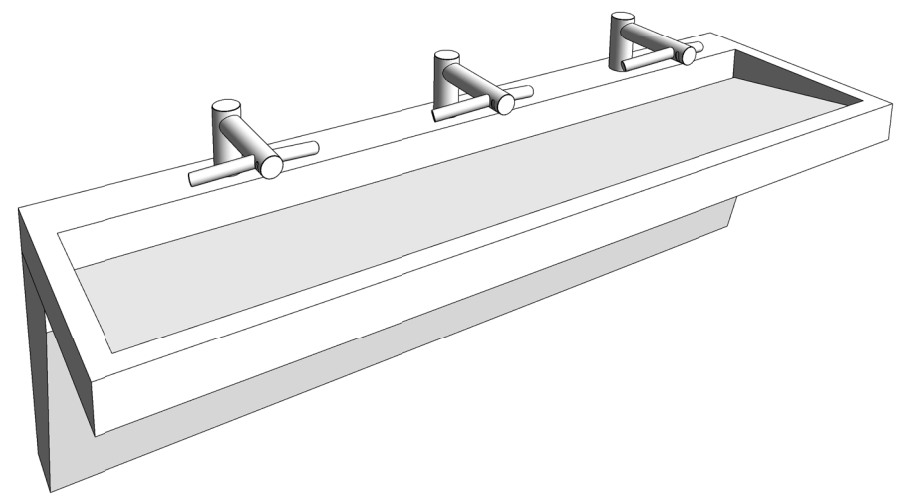
© DYSON CANADA INC.



1 PLAN  
1 : 10



2 ELEVATION  
1 : 10



MULTIPLE AIRBLADE WD04 WITH SINGLE SLOPE DRAIN TROUGH (SHEET 1 OF 2)

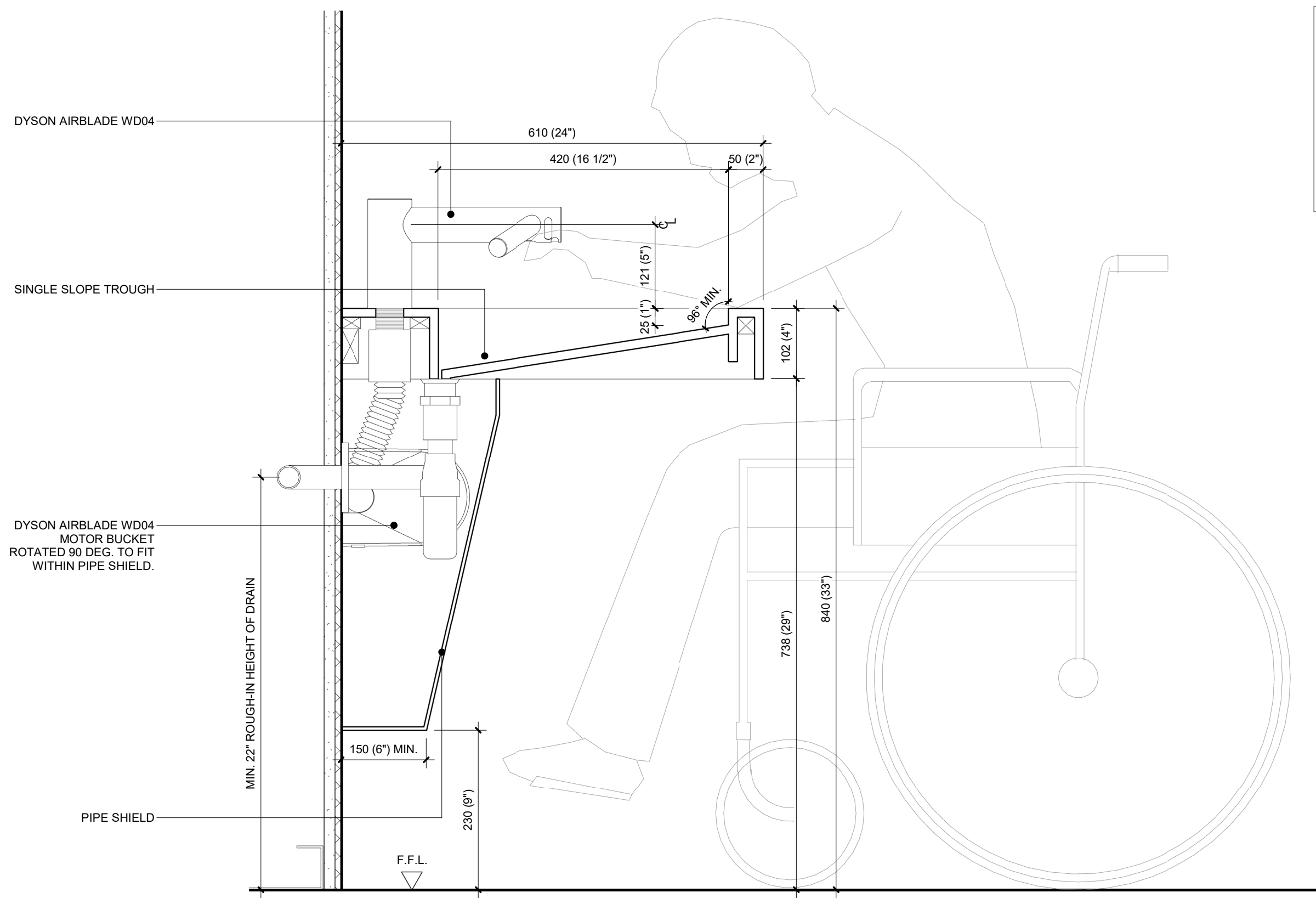
SK-01

Date MARCH 2021

CONSULT LOCAL ACCESSIBILITY CODES AND REGULATIONS FOR RELEVANT INSTALLATION GUIDELINES. CONFORMITY AND COMPLIANCE IS THE RESPONSIBILITY OF THE INSTALLER. MAKE SURE THAT THE UNIT IS INSTALLED IN COMPLIANCE WITH ALL BUILDING CODES AND/OR REGULATIONS.

THESE DRAWINGS ARE INTENDED TO COMMUNICATE DESIGN INTENT ONLY AND ARE NOT TO BE USED FOR PERMIT, CONSTRUCTION OR FABRICATION PURPOSES.

© DYSON CANADA INC.



① SECTION  
N.T.S.

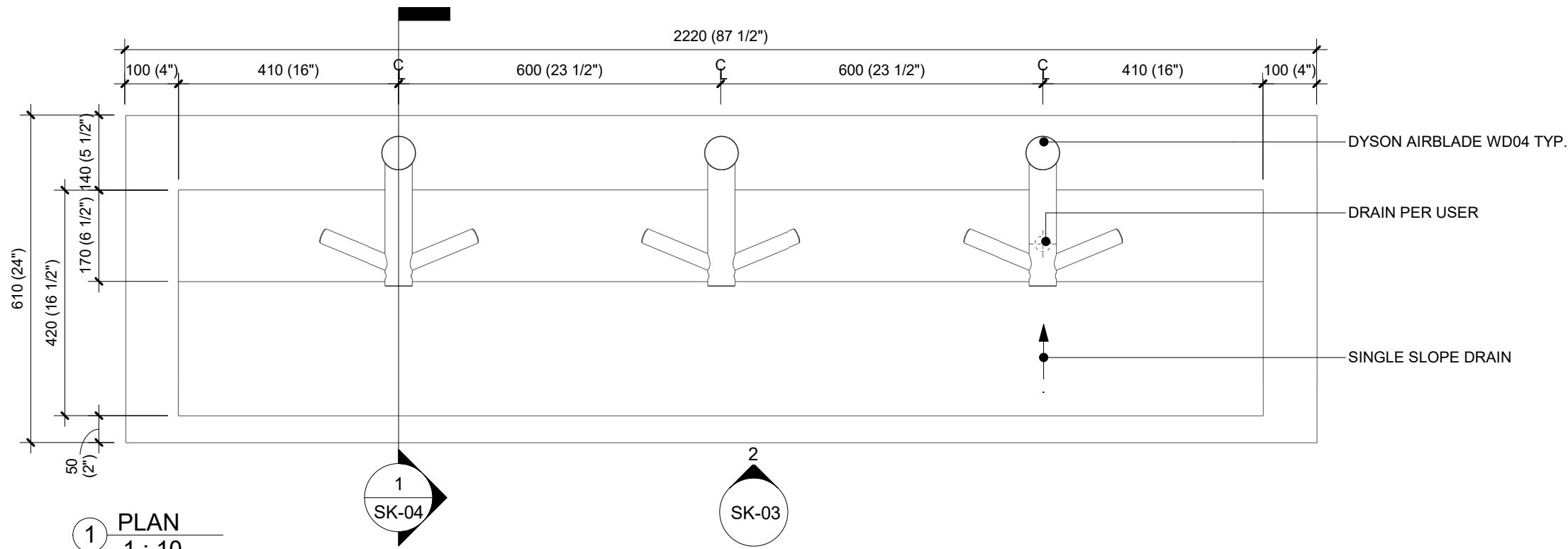


**MULTIPLE AIRBLADE WD04 WITH SINGLE SLOPE DRAIN TROUGH (SHEET 2 OF 2)**

**SK-02**

Date MARCH 2021



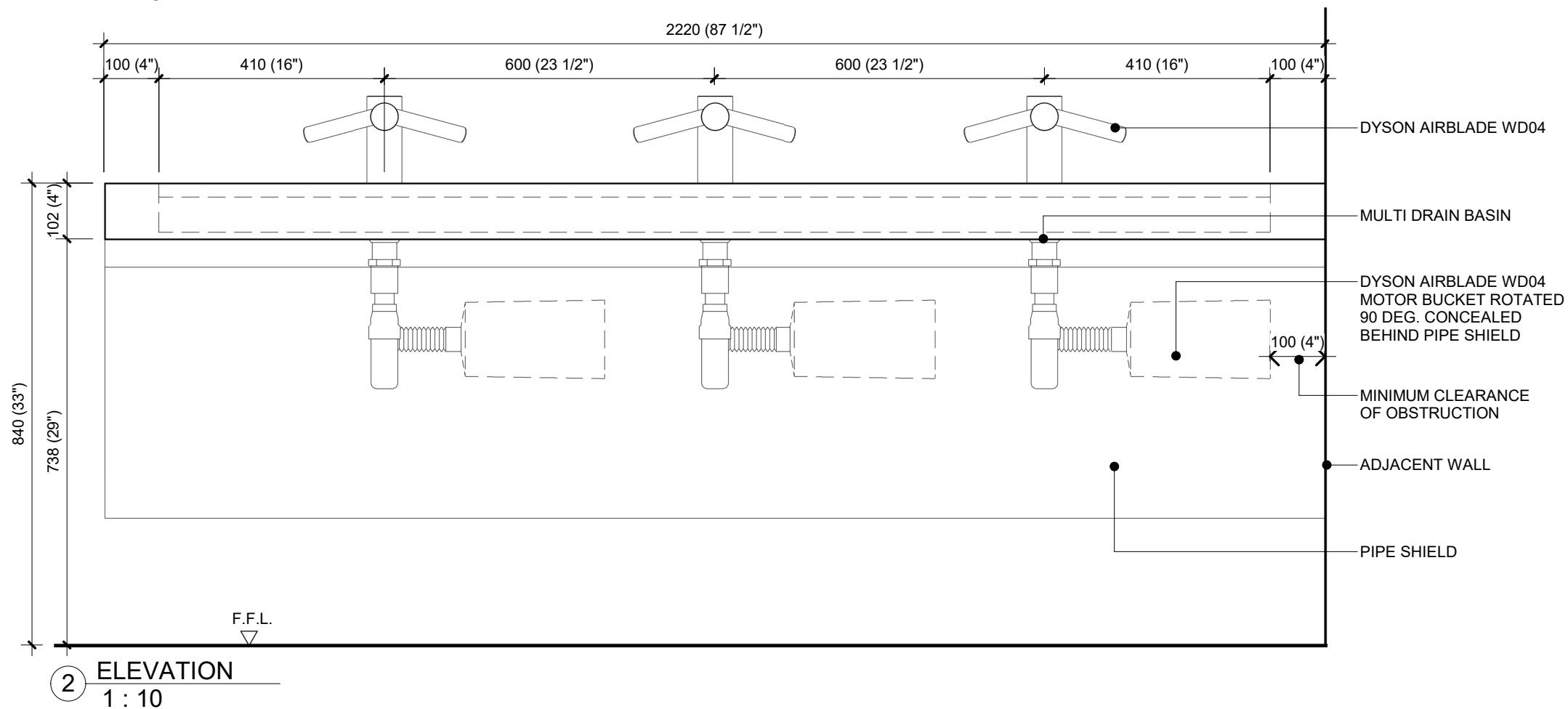


1 PLAN  
1 : 10

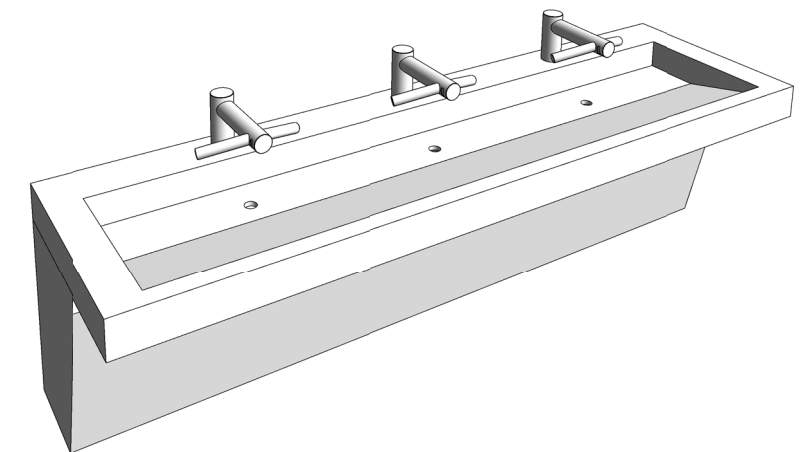
CONSULT LOCAL ACCESSIBILITY CODES AND REGULATIONS FOR RELEVANT INSTALLATION GUIDELINES. CONFORMITY AND COMPLIANCE IS THE RESPONSIBILITY OF THE INSTALLER. MAKE SURE THAT THE UNIT IS INSTALLED IN COMPLIANCE WITH ALL BUILDING CODES AND/OR REGULATIONS.

THESE DRAWINGS ARE INTENDED TO COMMUNICATE DESIGN INTENT ONLY AND ARE NOT TO BE USED FOR PERMIT, CONSTRUCTION OR FABRICATION PURPOSES.

© DYSON CANADA INC.



2 ELEVATION  
1 : 10



MULTIPLE AIRBLADE WD04 WITH SINGLE SLOPE FLAT DRAIN TROUGH (SHEET 1 OF 2)

SK-03

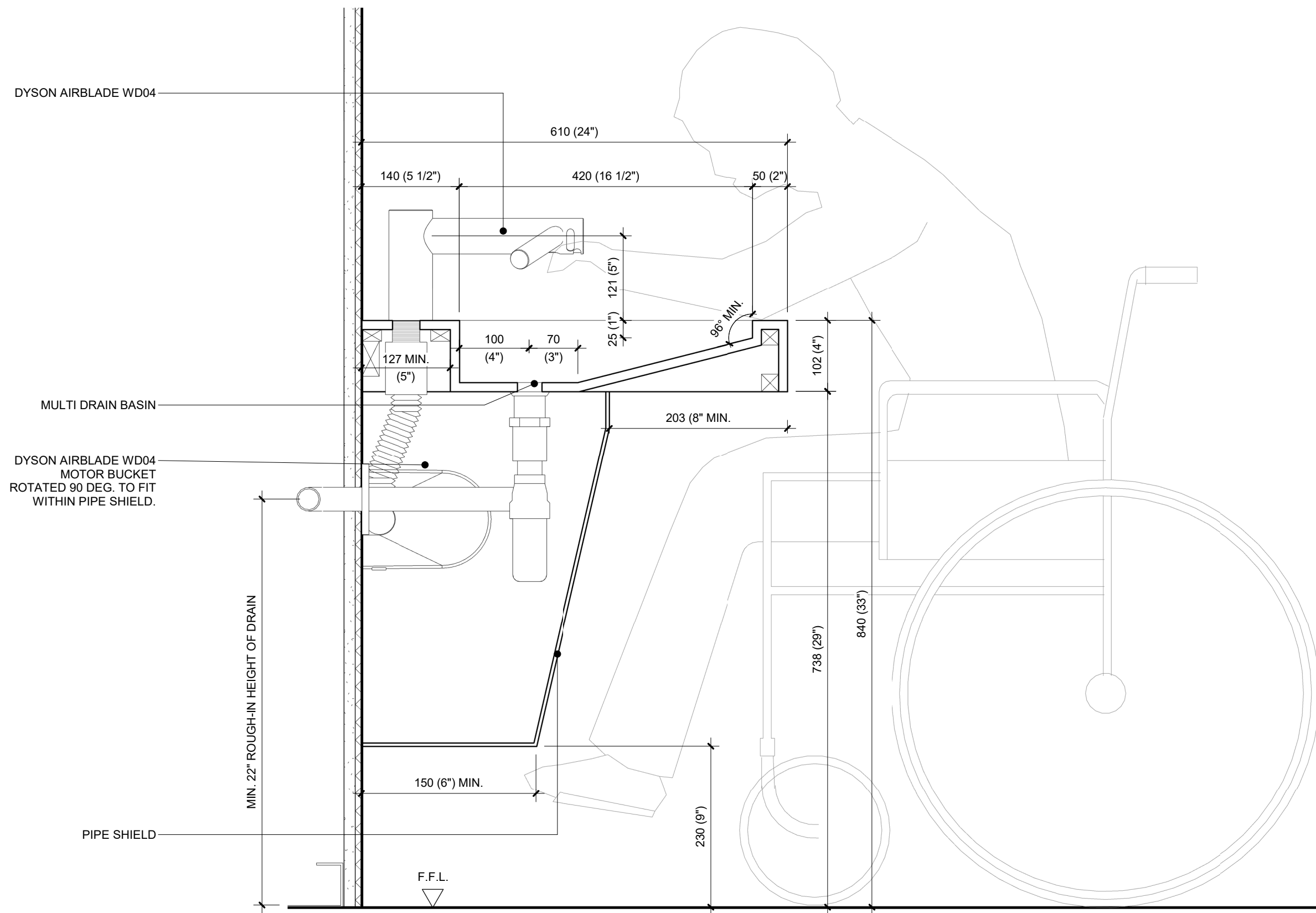
Date

MARCH 2021

CONSULT LOCAL ACCESSIBILITY CODES AND REGULATIONS FOR RELEVANT INSTALLATION GUIDELINES. CONFORMITY AND COMPLIANCE IS THE RESPONSIBILITY OF THE INSTALLER. MAKE SURE THAT THE UNIT IS INSTALLED IN COMPLIANCE WITH ALL BUILDING CODES AND/OR REGULATIONS.

THESE DRAWINGS ARE INTENDED TO COMMUNICATE DESIGN INTENT ONLY AND ARE NOT TO BE USED FOR PERMIT, CONSTRUCTION OR FABRICATION PURPOSES.

© DYSON CANADA INC.



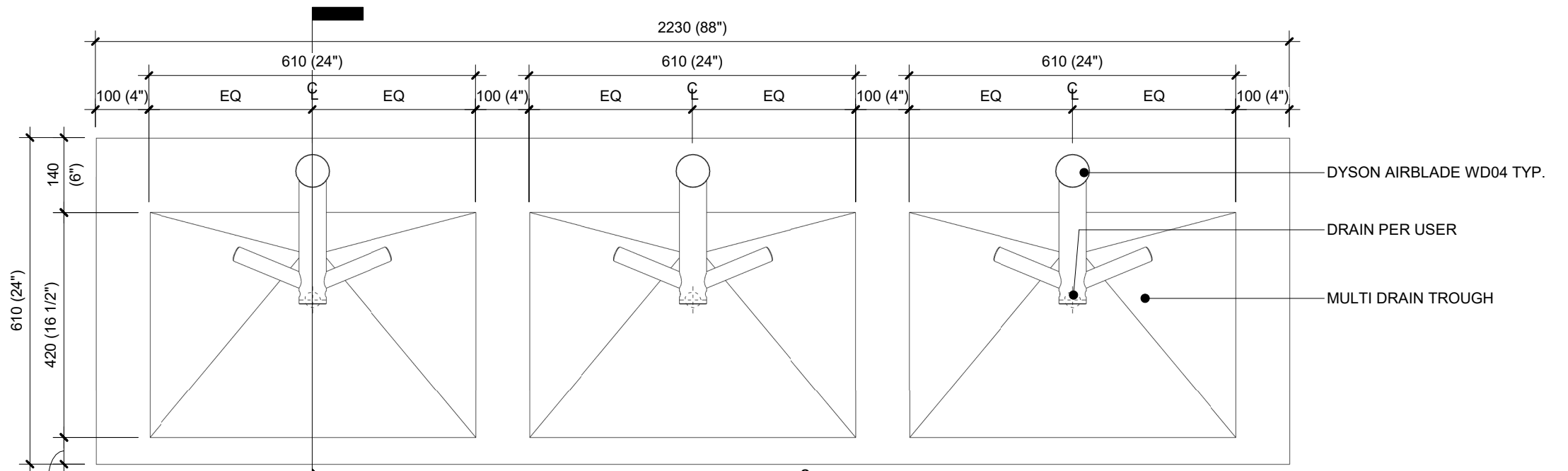
① SECTION  
N.T.S.

**MULTIPLE AIRBLADE WD04 WITH SINGLE SLOPE FLAT DRAIN TROUGH (SHEET 2 OF 2)**



**SK-04**

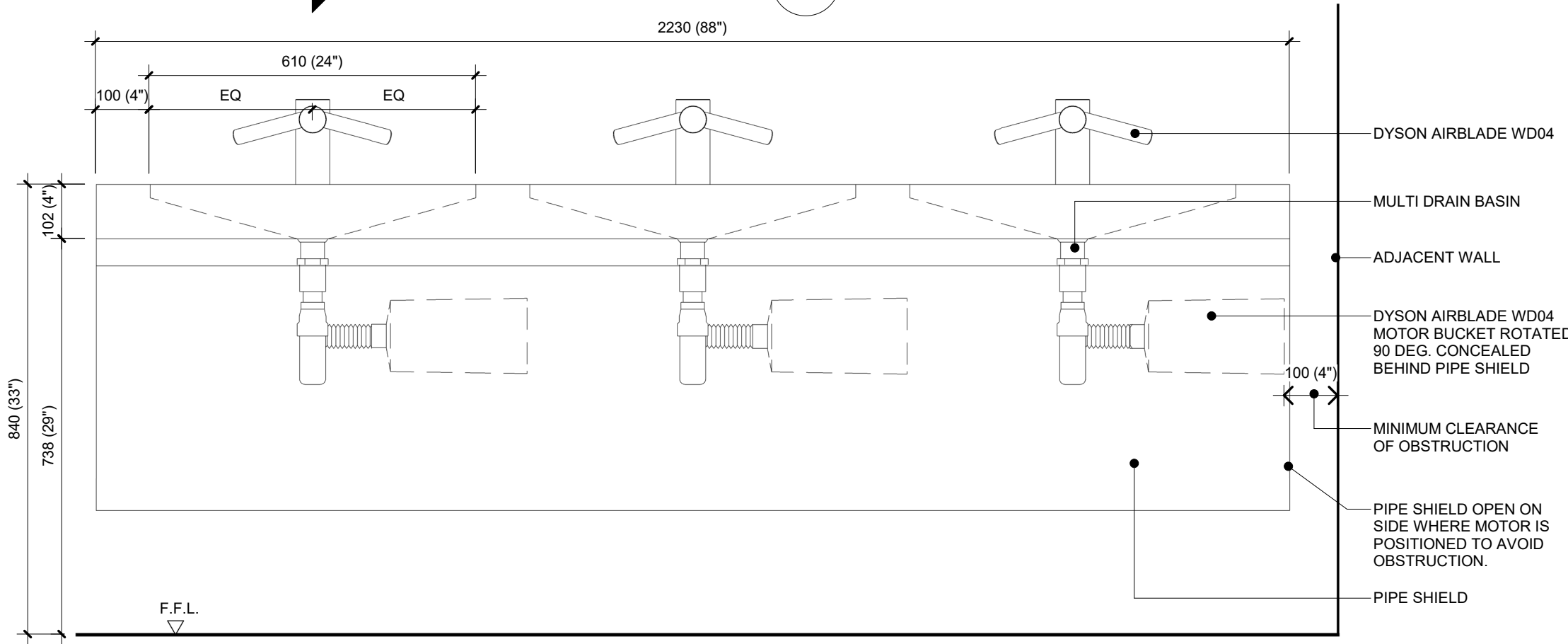
Date MARCH 2021



1 PLAN  
1 : 10

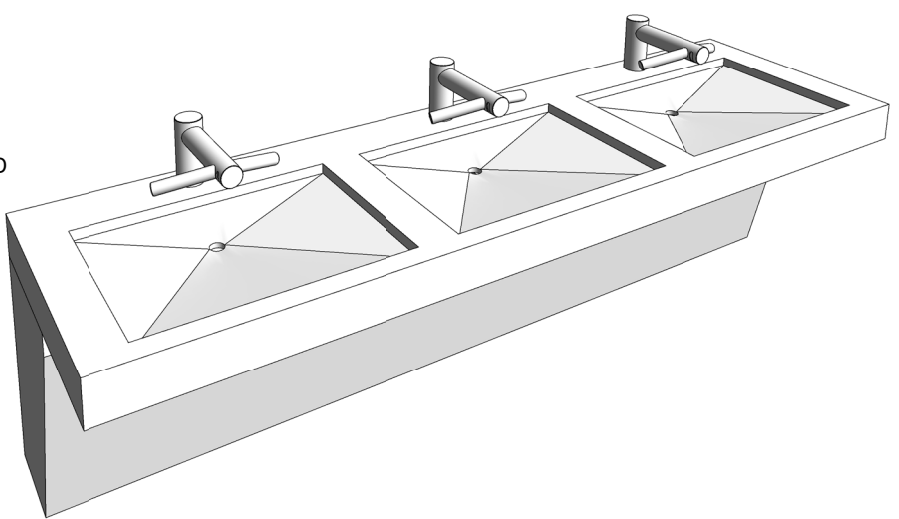


- DYSON AIRBLADE WD04 TYP.
- DRAIN PER USER
- MULTI DRAIN TROUGH



2 ELEVATION  
1 : 10

- DYSON AIRBLADE WD04
- MULTI DRAIN BASIN
- ADJACENT WALL
- DYSON AIRBLADE WD04 MOTOR BUCKET ROTATED 90 DEG. CONCEALED BEHIND PIPE SHIELD
- 100 (4")
- MINIMUM CLEARANCE OF OBSTRUCTION
- PIPE SHIELD OPEN ON SIDE WHERE MOTOR IS POSITIONED TO AVOID OBSTRUCTION.
- PIPE SHIELD



CONSULT LOCAL ACCESSIBILITY CODES AND REGULATIONS FOR RELEVANT INSTALLATION GUIDELINES. CONFORMITY AND COMPLIANCE IS THE RESPONSIBILITY OF THE INSTALLER. MAKE SURE THAT THE UNIT IS INSTALLED IN COMPLIANCE WITH ALL BUILDING CODES AND/OR REGULATIONS.

THESE DRAWINGS ARE INTENDED TO COMMUNICATE DESIGN INTENT ONLY AND ARE NOT TO BE USED FOR PERMIT, CONSTRUCTION OR FABRICATION PURPOSES.

© DYSON CANADA INC.



**MULTIPLE AIRBLADE WD04 WITH MULTI SLOPE DRAIN TROUGH (SHEET 1 OF 2)**

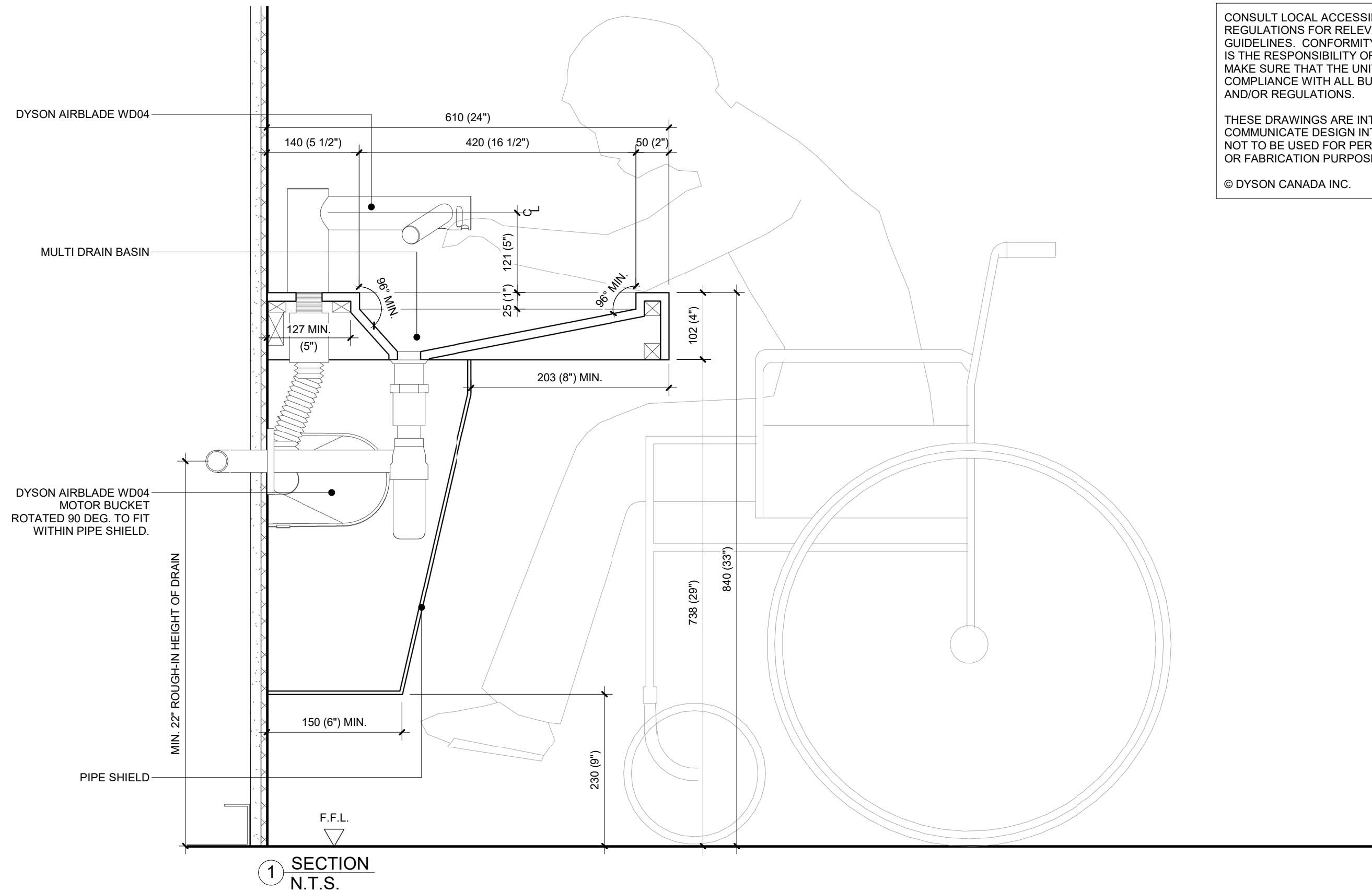
**SK-05**

Date MARCH 2021

CONSULT LOCAL ACCESSIBILITY CODES AND REGULATIONS FOR RELEVANT INSTALLATION GUIDELINES. CONFORMITY AND COMPLIANCE IS THE RESPONSIBILITY OF THE INSTALLER. MAKE SURE THAT THE UNIT IS INSTALLED IN COMPLIANCE WITH ALL BUILDING CODES AND/OR REGULATIONS.

THESE DRAWINGS ARE INTENDED TO COMMUNICATE DESIGN INTENT ONLY AND ARE NOT TO BE USED FOR PERMIT, CONSTRUCTION OR FABRICATION PURPOSES.

© DYSON CANADA INC.



**MULTIPLE AIRBLADE WD04 WITH MULTI SLOPE DRAIN TROUGH (SHEET 2 OF 2)**

**SK-06**

Date MARCH 2021