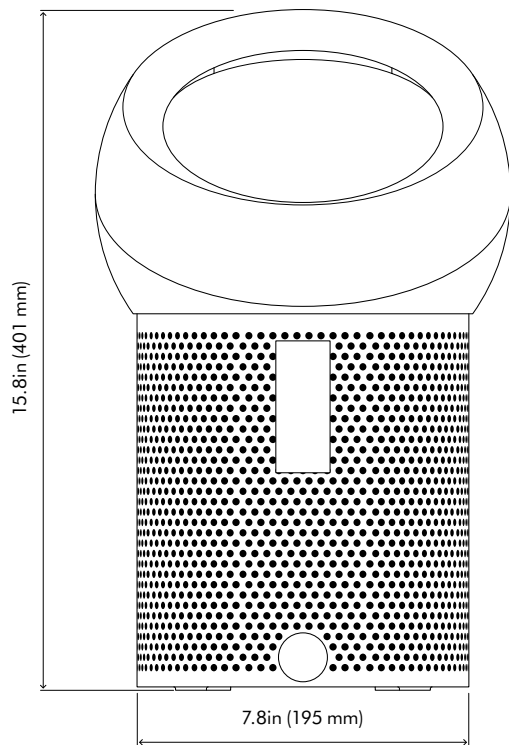


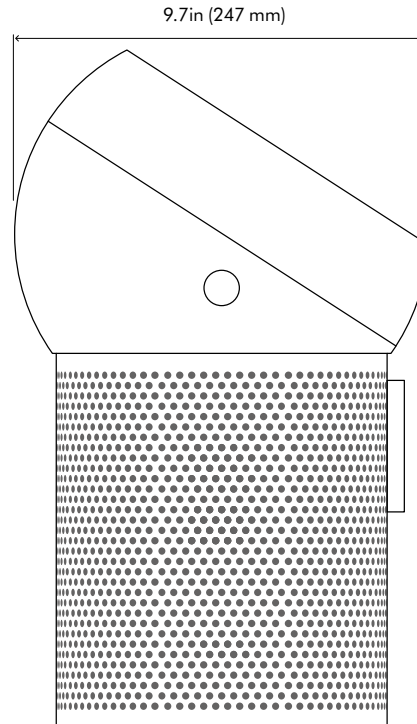
TECHNICAL SPECIFICATION



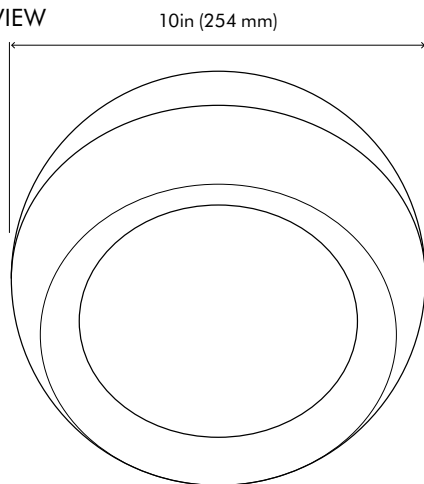
FRONT VIEW



SIDE VIEW



PLAN VIEW



Machine dimensions

Height: 15.8in, Amp width: 10in, Amp depth: 9.7in (Height: 401 mm, Amp width: 254 mm, Amp depth: 247 mm)
Base diameter: 7.8in (195 mm)

For further information contact Dyson:
1-866-236-3884
commercial.sales@dyson.com
www.dysoncanada.ca

Electrical

Input voltage/frequency: 20V / 60Hz

Standby power consumption: 0.5W

Max input power: 40W

Construction

Polycarbonate

ABS

Filter

The fully-sealed filter combines an activated carbon layer and glass HEPA layer. It captures gases and 99.97% of allergens and pollutants as small as 0.3 microns from the air around you.

360° borosilicate glass microfiber HEPA filter

Filter life: One year based on 12hr use a day;
or 6 months based on 24hr use a day

Height: 7.4in (189 mm)

Diameter: 7.4in (189 mm)

Unboxed weight: Filter only 0.77lbs (0.35 kg)

Operation

For indoor use only

Operation environment:

Engineered to operate between 32-104°F, 0-40°C, 0-100% humidity

10 speed settings

70° oscillation

Standby mode

LED display

Sound level at min flow rate (speed 4 Quiet Mode): Ave 43.5 dBA

Sound level at max flow rate Upper Vector (speed 10):

Ave 59 dBA Max 61 dBA

Sound level at max flow rate Lower Vector (speed 10):

Ave 59 dBA Max 61 dBA

Remote control battery: CR2032L coin cell

Remote control functions:

On/Off, Info, Oscillation, Speed control, Sleep timer

Logistics

Packaged weight: 10.7lbs (4.87 kg)

Unboxed weight: 6.2lbs (2.80 kg)

Packaged dimensions:

(H) 17.7in x (W) 10.6in x (D) 10.8in / (H) 450 mm x (W) 273 mm x (D) 273 mm

UPC Barcode

White: 885609017143

Black: 885609017150

Part Number

White: 275885-01

Black: 275888-01

Colorway: White/Silver, Black/Nickel

Standard warranty

2 year warranty

