

SINK, PLUG AND SOAP GUIDE



Sink specification guidelines

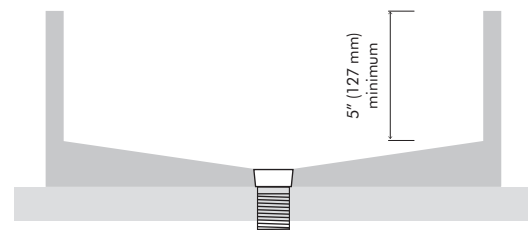
Using a specially designed test method, Dyson engineers tested a wide range of sinks to assess their compatibility with the Dyson Airblade Wash+Dry hand dryer. Porcelain or brushed metal sinks are ideal. Sinks with highly polished surfaces should be avoided e.g. reflective chrome.

Water drainage

Due to high velocity air and water being in close proximity, there is a chance of some water and soap dispersion outside the sink dimensions. To alleviate this effect, we recommend following the guidelines in this document.

Basic sink dimension guidance

Fig.1



Sink dimensions (All internal measurements unless otherwise stated)

Fig.1 Width of sink minimum: 15" (380 mm), Front to back of sink minimum: 13" (330 mm)

Internal depth of sink minimum (for all models): 5" (127 mm)

For further information please contact Dyson.
1-866-236-3884
commercial.sales@dyson.com
www.dysoncanada.ca

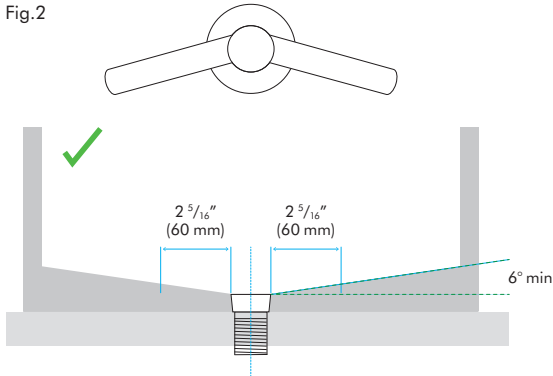
dyson airblade wash+dry

Recommended

Angled base profiles

Angled base profiles result in good drainage leading to low risk of splashback.

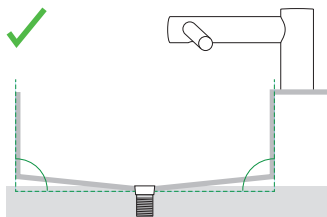
Fig.2



Minimum of 6° angle from the edge of the drain hole of the sink will result in good drainage leading to reduced levels of splashback (minimum 2 5/16" (60 mm) radius).

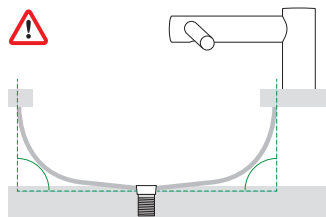
Steep walled sinks result in a low risk of splashback.

Fig.3



The back wall should be as close to 90°, and at as sharp a radius as possible (Fig.3). Curved geometry sinks should be used with worktops that slightly extend beyond the sink circumference (Fig.4).

Fig.4

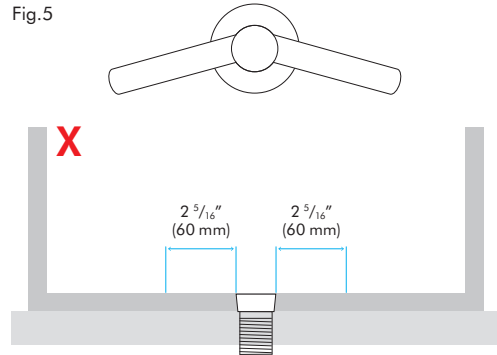


Not recommended

Flat base profiles

Flat base profiles will result in poor drainage leading to high levels of splashback.

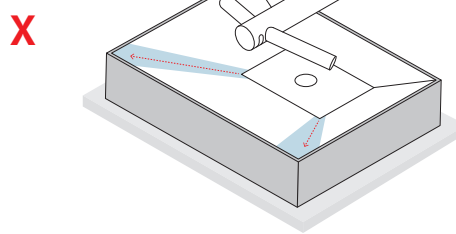
Fig.5



To improve drainage, avoid sinks with a flat base, particularly in the area immediately surrounding the drain hole (minimum 2 5/16" (60 mm) radius).

Sloping base sinks lead to increased levels of splashback.

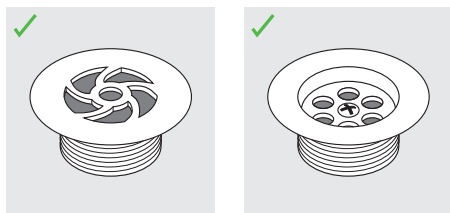
Fig.6



Sloping back and front wall transitions should be avoided, especially on square or rectangular sinks. (Fig.6).

Recommended plug holes

Plug holes with large apertures are recommended.

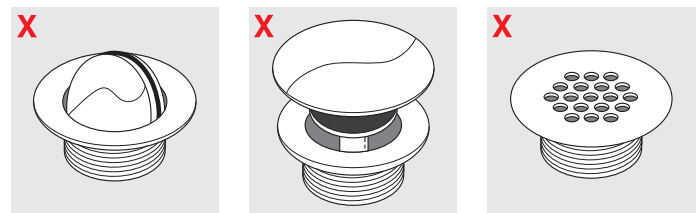


Recommended soap

For the best user experience, Dyson recommends the use of gel/liquid soaps.

Not recommended plug holes

Do not use plugs within plug holes as they restrict the drainage of soapy water (lather). Plug holes with grills or perforations should also be avoided.



Not recommended soap

Foaming hand soap is a diluted form of liquid soap infused with air. This is not recommended for use with the Dyson Airblade Wash+Dry hand dryer.